



OPERATING AND PARTS MANUAL

DW SERIES TOOLBAR

2019



TABLE OF CONTENTS

TO YOU THE OWNER.....	1
LIMITED WARRANTY STATEMENT.....	2
NEW MACHINE CHECKOUT.....	3
IMPLEMENT SAFETY.....	4
PRE-SEASON CHECK.....	5
BOLT TORQUE CHART.....	6
ANHYDROUS AMMONIA SAFETY.....	7
FIRST AID.....	11
OPERATING AND INSTALLATION INSTRUCTIONS FOR THE A-HFC-114.....	13
PURGING INSTRUCTIONS FOR REPHASING CYLINDERS.....	18
4X6 TOOLBAR LAYOUTS.....	19
6X6 TOOLBAR LAYOUTS.....	21
CYLINDERS.....	24
HEAVY DUTY LIFT HYDRAULICS.....	25
BULL PULL TONGUE AND HOSE STAND ASSEMBLY.....	26
SINGLE FOLD TOOLBAR-CYLINDERS AND PINS.....	27
DOUBLE FOLD TOOLBAR-CYLINDERS AND PINS.....	28
FRONT FOLD TOOLBAR-CYLINDERS AND PINS.....	29
WING LOCK OPTIONS.....	30
TOOLBAR CYLINDER STOP.....	31
TOOLBAR LIGHT KIT.....	32
REAR HITCH, HD.....	33
QUICK COUPLER SWIVEL MOUNT.....	34
WALKING AXLE ASSEMBLY.....	35
HD WALKING AXLE ASSEMBLY.....	36
SINGLE OUTBOARD GAUGE WHEEL ASSEMBLY.....	37
PIN TYPE GAUGE WHEEL AND BRACKET.....	38
4410086, 888 6-BOLT HUB ASSEMBLY.....	39
4410089, 813 8-BOLT HUB ASSEMBLY.....	40
4410171 INDEPENDENT STYLE DISC SEALER.....	41
4410171 OS INDEPENDENT STYLE DISC SEALER WITH OFFSET ARMS.....	42
4410223 HEAVY DUTY DISC SEALER.....	43
4410223 OS HEAVY DUTY DISC SEALER WITH OFFSET ARMS.....	44
4410185 INDEPENDENT STYLE DISC SEALER WITH 14.5 INCH ARMS.....	45
HD DISC SEALER WITH 14.5 INCH ARM.....	46
STANDARD SHANKS AND KNIVES.....	47
S1264SL SPRING LOADED SHANK CLAMP, 4 X 6.....	48
S1266SL SPRING LOADED SHANK CLAMP, 6 X 6.....	49
YETTER 20" COULTER ASSEMBLY.....	50
GROVE COULTER ASSEMBLY.....	51
YETTER 24" EXTREME COULTER ASSEMBLY.....	52
YETTER 24" EXTREME HUB BREAKDOWN.....	53
INSTALLATION INSTRUCTIONS FOR AG LIGHTS.....	54
DECAL LAYOUT.....	55
PARTS ORDERING PROCEDURE.....	56

TO YOU, THE OWNER

Your Dalton Ag Equipment is the most modern, up-to-date, versatile, machine available for fertilizer application. The machine is the result of many years of experience, research, development and testing of equipment for fertilizer application. It is soundly engineered and carefully built to rigid specifications. It is of rugged and simple construction, with a minimum of moving parts.

However, to obtain maximum performance from your Dalton Ag Equipment, it is necessary to follow the instructions and safety suggestions in this manual. Each section has been carefully prepared for the purpose of providing needed and valuable information to the owner and operator. Each operator of this unit should be familiar with the contents of this manual. Keep it in a safe and convenient location. THERE ARE MANY SAFETY SUGGESTIONS (CAUTION AREAS) PRINTED THROUGHOUT THIS MANUAL. CAREFULLY READ THEM ALL BEFORE OPERATING THIS UNIT.

DESIGN IMPROVEMENTS

Dalton Ag Products follows a policy of continuous products improvement. We therefore reserve the right to make design improvements, and changes in specifications and prices, without incurring obligations to make revisions or additions to equipment previously sold.

**REGISTER
WARRANTY
ONE OF
FOUR WAYS**

- Register on-line at:
www.daltonag.com
- Fax your completed warranty registration form to:
641-333-4429
- Email your completed warranty registration form to:
office@daltonag.com
- Mail your completed warranty registration form to:
Dalton Ag, Inc.
P.O. Box 70
Lenox, IA 50851

LIMITED WARRANTY STATEMENT

DALTON AG, INC. warrants to the original purchaser only that all products manufactured under the Dalton Ag and Mobility Brands will be free from defects in material and workmanship under normal use and service.

DALTON AG's obligation under this warranty is limited to repairing or replacing, as it may elect, free of charge and without charge for installation, at the place of business of a dealer or distributor authorized to handle the equipment covered by this warranty or at a DALTON AG facility, any parts that prove, in DALTON AG's judgment, to be defective in material or workmanship within two (2) years after delivery to the original purchaser. DALTON AG shall not be liable for personal injuries or any special or consequential damages of any kind, either direct or indirect. This warranty is subject to acts of God, fire and existing conditions of supply and demand, production, ability or inability to deliver, or for any other valid reason beyond the reasonable control of DALTON AG. No distributor, dealer, agent or DALTON AG employee (other than DALTON's President in writing) is authorized to extend or make any other or further express or implied warranty or incur any additional obligation on DALTON AG's behalf in connection with the sale of this product.

Customer Responsibility

Product Registration - It is a condition of this warranty that the original purchaser fill out the warranty card furnished by DALTON AG and return it to DALTON AG to be recorded in DALTON AG's owner file. Registration may also be done on line at www.DaltonAg.com/warrantyregistration. If the original purchaser's card or electronic registration is not on file at DALTON AG's office, the warranty period will extend only from date equipment was picked up or shipped from the DALTON AG plant.

Maintenance - It is the customer's responsibility to maintain their equipment in accordance with the instructions provided in the Operator's Manual. DALTON AG recommends that you keep records and receipts as the customer may be required to verify the maintenance instructions have been followed.

Operation - It is the customer's responsibility to operate the equipment only for the purpose for which it was designed and in accordance with all safety and operational recommendations contained in the Operator's Manual. If a defect in materials or workmanship occurs, it is the customer's responsibility to cease operating the equipment until authorized repairs are made. Damage incurred from continued operation after a defect is discovered may not be covered by this warranty.

What this Warranty Covers

This warranty covers failures caused by defects in materials or workmanship only.

This Warranty does not cover failures caused by:

- | | | |
|------------------------------|------------------------------|---|
| - Improper operation | - Unauthorized repairs | - Usage contrary to the intended purpose of the product |
| - Natural calamities | - Use of Non DALTON AG parts | |
| - Unauthorized modifications | - Neglected maintenance | |

This Warranty does not cover replacement of Wear or Maintenance Items including, but not limited to:

- | | | | | |
|--------------|---------|----------|----------|------------|
| - Lubricants | - Hoses | - Disks | - Idlers | - Belts |
| - Filters | - Tires | - Chains | - Blades | - Bearings |

This Warranty does not cover:

- Pickup and delivery of the equipment
- Service Calls or Travel Time to and from sites
- Rental of replacement equipment during repair period
- Products that have been declared a total loss and subsequently salvaged
- Overtime labor charges

Parts Warranty

DALTON AG warrants its replacement parts against defects in materials or workmanship for a period of 90 days or the remainder of the product warranty, whichever is longer under the terms set out above. Remedy for defective replacement parts for units that are beyond the original product warranty, will be limited to replacement of the failed part.

NEW MACHINE CHECKOUT

1. All hardware properly tightened.
2. Lubrication of grease fittings.
3. Wheel bolts tightened to proper specs.
4. Check hydraulic hoses and fittings.

MAINTENANCE

1. Visually inspect machine daily.
2. Repair or replace any worn or damaged parts.

LUBRICATION SCHEDULE

Careful observance of the following lubrication schedule is the best preventative maintenance program for your Dalton Ag Equipment. We recommend that you establish a firm program to insure lubrication in strict compliance with the following schedule. Use only good grade pressure gun type grease unless otherwise specified.

Daily Lubrication

Hinge points

Weekly Lubrication

Wheel bearings
Coulters

Annual Lubrication

Check all bearings - repack or replace as needed

IMPLEMENT SAFETY

In addition to design and configuration of equipment, safety and accident prevention are dependent upon the awareness, concern, and proper training of personnel involved in the operation, transport, maintenance, and storage of equipment. Failing to follow these safety messages can result in machine damage, personal injury, and/or death.

- Before operating your DALTON AG equipment, thoroughly read and understand your operator's manual. If you do not understand any portion of the operator's manual, contact your local Dalton Ag dealer immediately for clarification.
- Furnish this manual to a new operator.
- Tow with tractor only. Never transport equipment in excess of 20 MPH. Maintain a safe speed.
- Use a Slow-Moving-Vehicle (SMV) emblem when transporting.
- Be sure safety decals are readable. All safety related decals must be replaced if the equipment is painted or the decals are otherwise rendered unreadable.
- Install transport link before transporting.
- Always check for overhead obstacles in transporting equipment and before folding or unfolding the wings of the unit.
- Never permit riders on the equipment or tractor.
- Proceed slowly on rough or slippery roadways, on side hills, and around curves to avoid tipping.
- Reduce speed when approaching ditches and corners. Do not make sharp turns with brakes.
- Machinery should be operated only by persons familiar to the tractor, equipment, and the safety related items.
- Do not stand on, or straddle tongue when unhitching.
- Do not modify or permit anyone to modify this equipment and any of its components without first consulting your Dalton Ag dealer.
- Do not lubricate, adjust, or repair when equipment is in motion.
- Use only approved replacement parts.
- To prevent serious injury from high pressure fluid, NEVER attempt to inspect, service, or disassemble any part of the hydraulic system until all pressure is relieved by lowering the toolbar to the ground (or secure with cylinder transport stops provided).
- High-pressure fluid is nearly invisible but has enough force to penetrate the skin. Never use the hands to search out a suspected leak. If injured by escaping fluid, obtain medical attention at once to minimize chance of infection. Wear safety glasses or goggles to avoid eye injury when working on the hydraulic system.
- Always check torque on wheel bolts before transporting.

PRE-SEASON CHECK

1. Carefully review the safety suggestions in this manual.
2. Check all bolts for proper tightness. When the implement is new, check after one hour and every few hours of operation.
3. Replace ground tools that are severely worn, broken or damaged.
4. Check tires for proper inflation. All tires should be inflated equally to avoid side draft.
5. Check the wheel lug bolts daily, keep wheel bolts tight.
6. Grease all fittings.
7. Inspect, repack, or replace (if necessary) wheel bearings and seals.
8. Check hoses, hose routing and hydraulic cylinders. Any indication of leakage or fraying of hoses should be corrected.

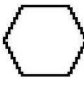



OFF-SEASON STORAGE

Following these suggestions will extend service life and satisfaction:

1. A little time and effort spent cleaning your machine before storing will repay in longer service, easier operation and higher resale value.
2. Inspect for worn or damaged parts. Replace, if required, and avoid delays the next season.
3. Repaint all areas where the original paint is worn off.
4. Lubricate your implement.
5. Grease all exposed metal surfaces of ground tools.
6. Store the unit inside a shed to protect from weather and on a level area with wings down. The ground working parts should rest on boards.
7. Disconnect the rod end of the lift cylinders and retract the rod into the cylinder to prevent the cylinder rod from rusting.
8. Cap or plug all hydraulic oil lines, if the cylinders are removed. This is to prevent any contaminants from entering the hydraulic system.
9. Raise tires off ground or remove and store in cool dry location out of sunlight.

IMPORTANT : Over tightening hardware can be as damaging as under tightening. Tightening beyond recommended torque will reduce the fastener’s shock load capacity.

BOLT TORQUE CHART

SIZE	 SAE GRADE 2		 SAE GRADE 5		 SAE GRADE 8		 L9
	ASSEMBLY TORQUE DRY	LUBRICATED	ASSEMBLY TORQUE DRY	LUBRICATED	ASSEMBLY TORQUE DRY	LUBRICATED	ASSEMBLY TORQUE LUBRICATED
1/4-20	66*	49*	8	75*	12	9	11
1/4-28	76*	56*	10	86*	14	10	13
5/16-18	11	8	17	13	20	18	21
5/16-24	12	9	19	14	25	20	23
3/8-16	20	15	30	23	45	30	33
3/8-24	23	17	35	25	50	35	38
7/16-14	30	24	50	35	70	55	60
7/16-20	35	25	55	40	80	60	65
1/2-13	50	35	75	55	110	80	95
1/2-20	55	40	90	65	120	90	105
9/16-12	65	50	110	80	150	110	140
9/16-18	75	55	120	90	170	130	150
5/8-11	90	70	150	110	220	170	185
5/8-18	100	80	180	130	240	180	205
3/4-10	160	120	260	200	380	280	290
3/4-16	180	140	300	220	420	320	355
7/8-9	190	140	400	300	600	460	505
7/8-14	210	155	440	320	660	500	585
1-8	220	160	580	440	900	680	775
1-14	240	170	640	480	1000	740	900
1 1/8-7	300	220	800	600	1280	960	1150
1 1/8-12	340	260	880	660	1440	1080	1325
1 1/4-7	420	320	1120	840	1820	1360	1600
1 1/4-12	460	360	1240	920	2000	1500	1750
1 3/8-6	560	420	1460	1100	2380	1780	---
1 3/8-12	640	460	1680	1260	2720	2040	---
1 1/2-6	740	560	1940	1460	3160	2360	3250
1 1/2-12	840	620	2200	1640	3560	2660	3650

**ITEMS WITH * = INCH POUNDS
ALL OTHERS = FOOT POUNDS**

WARNING: Never work around any raised implement while in the raised position without using safety lockups.

ANHYDROUS AMMONIA SAFETY

(Source: Pennsylvania State University. Agricultural Safety and Health)

Anhydrous ammonia (NH₃) is a nitrogen crop fertilizer that can cause severe chemical burns; frostbite to the eyes, skin, and respiratory tract; and death. It is important for all individuals working with this type of fertilizer to understand the potential risks, necessary safety precautions, and proper response in the event of accidental contact.

Anhydrous ammonia is a hygroscopic compound, meaning that it takes up water from the nearest source, which can include the human body—especially the eyes, lungs, and skin because of their high moisture content. Anhydrous ammonia is caustic, corrosive, and damaging to tissue high in moisture content when it contacts the human body. Anhydrous ammonia inhalation incidents are typically severe because the victim's throat can swell shut, causing suffocation. When vapors or liquid come in contact with a person's eyes, blindness may occur.

Typically, anhydrous ammonia is stored under pressure, but it vaporizes to a colorless gas. It has a unique odor that can be detected at a low concentration of 5 ppm. The concentration in fertilizer is approximately 1,000,000 ppm, but even brief exposure to a concentration of 2,500 to 6,500 ppm can result in death.

Anhydrous ammonia is transported under pressure as a liquid, so all equipment used for transport must be designed for use under high pressure to avoid ruptures or breaks. Incidents can occur when anhydrous ammonia escapes from transfer hoses or valves, equipment malfunctions and sprays anhydrous ammonia in multiple directions, hoses pull apart during transportation or application, and so on.

PPE and Supplies

It is essential that all workers who use anhydrous ammonia wear the appropriate personal protective equipment (PPE), be equipped with necessary response supplies, and know how to respond in an emergency. PPE should include ventless goggles or a full-face shield, rubber gloves with long cuffs that can be rolled to catch drips, and a long-sleeved shirt. Non-rubber gloves made of ammonia-proof material are acceptable. Because contact lenses can trap the gas and become fused to the eye, it is recommended that individuals not wear contact lenses while working with anhydrous ammonia.

In the event of an exposure emergency, the most important resource is an ample supply of clean water to begin flushing the eyes and skin. If you use a vehicle to transport anhydrous ammonia, you must carry a 5 gal. container of clean water. Each person working with anhydrous ammonia should carry a 6 to 8 fl. oz. squeeze bottle of water at all times for rapid response to an emergency.

Basic First Aid for Anhydrous Ammonia Exposure

The first-response treatment for anhydrous ammonia exposure is to flush the exposed area (skin, nose, throat, eyes, and so on) with clean water for a minimum of 15 minutes.

- Flush the exposed area immediately to decrease injury caused by the anhydrous ammonia coming in contact with skin or clothes. Although clean water is the ideal resource for flushing exposed areas of the body, if you do not have water available, other nontoxic liquids, such as cold coffee or orange juice, can be used.
- Remove contaminated clothing unless the clothing is frozen to the victim's skin.
- Seek medical attention immediately and inform medical staff of the exposure to anhydrous ammonia so that they will not treat the wounds with oils or ointments that can intensify the damage.

If you find a person who is in a continuous stream of anhydrous ammonia, contact your local emergency service responders or 911. Inform the emergency medical responders about the type of incident so they can bring the proper equipment to the scene. A self-contained breathing apparatus (SCBA) and protective clothing are necessary to remove a person from a continuous stream. Rescue workers will contact a hazardous materials (HAZMAT) disposal team if HAZMAT services are needed at the scene.

Note that these guidelines are not comprehensive, and all individuals working with anhydrous ammonia should receive training in the proper response to exposure emergencies.

Storage and Transportation

Anhydrous ammonia is a strong alkali that, when dissolved in water, readily reacts with copper, zinc, brass, and other alloys. Therefore, the only types of containers, fittings, and piping that should come in contact with anhydrous ammonia should be non-galvanized steel or iron. Do not store other materials, such as propane or liquefied petroleum gas, in a tank that has been used to store anhydrous ammonia.

When filling your anhydrous ammonia tank, do not fill it more than 85% full, and always disconnect the fill hose before moving the tank. Remember to bleed pressurized anhydrous ammonia from the hose before connecting or disconnecting the hose.

When transporting anhydrous ammonia, be sure to adhere to the following precautions and safety rules:

- **Running Gear:** Regularly inspect the wagon's frame tongue, reach poles, anchor devices, wheel bearings, knuckles, ball joints, and pins for structural damage and wear and make necessary repairs and adjustments.
- **Tires:** Check tires for proper inflation, bald spots, and signs of wear and ensure that lug nuts are tight.
- **Hoses and Valves:** Inspect and replace hoses and valves as needed.
 - o The hydrostatic relief valve should be replaced every five years.
 - o The transfer hose should be replaced five years from the date of manufacture.

- **Lubrication:** Annually lubricate the wagon's knuckle, wheels, tongues, and so on.
- **Towing Vehicle:** To increase the driver's ability to control the towing vehicle, ensure that the towing vehicle weighs at least as much as the tank.
 - o A tractor can tow two tanks, but a truck can tow only one tank at a time.
- **Speed Limit:** When towing an anhydrous ammonia tank, observe a speed limit of 25 mph.
- **Hitch Pin:** Use a hitch pin with a safety chain when towing a tank wagon.
- **Warning Lights:** Ensure that the tank is equipped with a seven-terminal breakaway connector plug to properly operate turn signals, flashing warning lights, and a red brake light.
- **Safety Signage:** If operating on a highway, outfit the tank with all required safety markings, including a slow-moving vehicle (SMV) sign.
 - o The words *Anhydrous Ammonia* must appear on both sides of the tank and on the rear of the tank in letters 4 in. high. The words should be in contrast to the tank so that they can be read easily.
 - o *Inhalation Hazard* must appear on both sides of the tank in letters 3 in. high.
 - o A Department of Transportation (DOT) placard number 1005 for nonflammable gas should be placed on the front, back, and sides of the tank.

Additional Safety Recommendations

- Paint the tank with reflective white paint to decrease excessive pressure buildup that can occur when the tank is heated from direct sunlight.
- Do not use dented or damaged tanks until they have been checked by an authorized inspector and necessary repairs are completed.
- Allow only certified welders to perform welding on the tank.
- Regulations and codes regarding towing of anhydrous ammonia and signage may vary, so be familiar with and obey the regulations in your state.

Summarized by:

Linda M. Fetzer, Pennsylvania State University – lmf8@psu.edu

Reviews:

LaMar Grafft, University of Iowa – lamar-grafft@uiowa.edu

Dennis J. Murphy, Pennsylvania State University – djm13@psu.edu

J. Samuel Steel, Pennsylvania State University – jss13@psu.edu

Aaron M. Yoder, University of Nebraska Medical Center - aaron.yoder@unmc.edu

Use the following format to cite this article:

Anhydrous ammonia safety. (2012) Farm and Ranch eXtension in Safety and Health (FReSH) Community of Practice. Retrieved from <http://www.extension.org/pages/63196/anhydrous-ammonia-safety>.

Sources

Schwab, C., Hanna, M., & Miller, L. (2008) Anhydrous ammonia safety: Play it safe with anhydrous ammonia. Iowa State University Extension and Outreach. Retrieved from <https://store.extension.iastate.edu/ItemDetail.aspx?ProductID=4989>.

Training module: Safe handling of anhydrous ammonia (NH₃). (2002) Ohio State University Extension. Retrieved from <http://nasdonline.org/1731/d001719/safe-handling-of-anhydrous-ammonia-nh....>

Training module: Towing anhydrous ammonia tanks. (2002) Ohio State University Extension Agricultural Tailgate Safety Training. Retrieved from <http://nasdonline.org/1794/d001750/towing-anhydrous-ammonia-tanks.html>

FIRST AID

Decontaminate the victim as quickly as possible. Start with the eyes. The whole body, or exposed area, must be flushed with generous amounts of water; this includes the hair, ears, under the chin, and armpits. Water sources such as showers, hoses, eye wash stations, or stock tanks are acceptable [29 CFR 1910.151(c)]

Ensure trained personnel and adequate first aid supplies are readily available [29 CFR 1910.151(b)]



Eyewash Station

Contact with the Eyes

Even if only a small amount of ammonia enters the eyes, irrigate the eyes with an abundance of water for a minimum of 15 minutes. Continually and thoroughly flush the entire eye surface and the inner lining of the eyelids. Eyes affected by ammonia close involuntarily, so the eyelids must be held open so that water can flush the entire eye surface, as well as the inner lining of the eyelid.

If there is no physician available, continue irrigation for an additional 15 minutes.

Do not wear contact lenses when handling anhydrous ammonia. If ammonia gets in the eyes, the ammonia will get trapped under the lenses causing even more damage. They may also prevent immediate flushing of the eye surface.

Serious eye injury should be treated by an ophthalmologist, but in an emergency, wash with large quantities of water for 15 minutes or more as quickly as possible. In fact, the only real hope for preventing permanent eye injury lies in quick and generous washing.

One suggestion for those likely to be exposed is to carry a small, eight-ounce squeezable squirt bottle filled with water, which can be used to get excess ammonia out of the eyes until a larger water supply can be reached. This small amount of water is not sufficient to remove all the ammonia. It is essential that the eyes be irrigated for a minimum of 15 minutes as soon as possible.



Squirt Bottle

Another emergency method is to duck the head in water and rapidly blink and move or rotate the eyes about.

Contact with the Skin

It is essential that any ammonia spilled on the worker be removed immediately and that the worker be moved to an uncontaminated area quickly.

Clothes that have been saturated by liquid ammonia may freeze to the skin. In any case, the victim, still clothed, should get immediately under a shower, if available, or jump into a stock tank, pond, or into any other source of water. Time is important! Remove clothes only after they are thawed and they can be freely removed from frozen areas. If the clothing is removed incorrectly, whole sections of skin can be torn off.

No salves, creams, ointments, or jellies should be applied to the skin during a 24-hour period following the injury since this will prevent natural elimination of the ammonia from the skin. After the 24 hour period, the medical treatment is the same for thermal burns. A physician should view any second- or third-degree freeze burns of the skin.

Taken Internally: This is what you should do if ammonia is ingested:

- Call a physician.
- If conscious, have the victim drink large amounts of water.
- Do not induce vomiting if the victim is in shock, in extreme pain, or is unconscious.
- If vomiting begins, place the victims face down with head lower than hips. This prevents vomit from entering the lungs and prevents severe injury.

Inhalation

In all inhalation exposures, severe or minimal:

- Take the exposed workers at once to a clean, uncontaminated area.
- Watch workers exposed to low concentrations for a short period of time. They will usually require no treatment and can be released.
- For severe exposure to higher concentrations:

Call a physician.

Administer oxygen by an individual who is trained and authorized to do so by a physician. This will help relieve pain and symptoms of lack of oxygen.

Begin artificial respiration immediately if the patient is not breathing.

Keep victim warm (but not hot) and rested until transported to the hospital.

Summary: In any accident involving contact with ammonia with the eyes or skin:

- Immediately flush the affected area with large quantities of clean water.
- Place the injured person into a container of clean water or under an emergency shower.
- Provide the injured worker with first aid treatment and call a physician at once in the case of extreme exposure. Give the physician a complete account of the incident.
- Seconds count, wash the ammonia away with water immediately.

Information from U.S. Department of Labor - OSHA

https://www.osha.gov/SLTC/etools/ammonia_refrigeration/emergency/index.html#firstaid

TABLE OF CONTENTS

New installation instruction	page 3-5
Retro fit installation instructions	page 5-7
Reconnection instructions	page 7-9
Disconnection instructions	page 9
Maintenance instructions	page 9-10

OPERATING AND INSTALLATION INSTRUCTIONS FOR THE A-HFC-114

HIGH FLOW TOOL BAR COUPLING



CAUTION  **DANGER**

PLEASE READ THIS ENTIRE MANUAL AND FOLLOW THE INSTRUCTIONS CAREFULLY. FAILURE TO READ AND FOLLOW ALL OF THE INSTRUCTIONS AND WARNINGS IN THIS MANUAL MIGHT RESULT IN A DANGEROUS RELEASE OF ANYDROUS AMMONIA AND CAUSE SERIOUS BODILY INJURY.



CAUTION **DANGER**

ALLWAYS FOLLOW MANUFACTURES INSTRUCTIONS WHEN INSTALLING, DISCONNECTING OR RECONNECTING THE QUICK COUPLING. FAILURE TO DO SO MAY CAUSE BODILY INJURY.

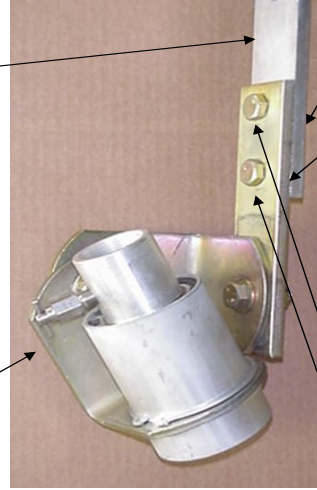
ALWAYS FOLLOW STEPS 1-3 BELOW BEFORE PERFORMING MAINTENANCE, INSTALLATION, RECONNECTING OR DISCONNECTING THE QUICK COUPLING

1. ALLWAYS WEAR GOGGLES AND GLOVES AND HAVE EMERGENCY WATER AVAILABLE.
2. CLOSE ALL VALVES.
3. OPEN ALL BLEED VALVES AND DRAIN ALL OF THE AMMONIA FROM THE HOSES ATTACHED TO THE TANK AND THE APPLICATOR. ALWAYS BE CAREFUL WHEN OPENING A BLEED VALVE TO MAKE SURE THE OUTLET IS POINTING IN A SAFE DIRECTION AND AWAY FROM YOU OR ANYONE ELSE. DO NOT PROCEED UNTIL YOU HAVE MADE SURE ALL OF THE AMMONIA HAS BEEN DRAINED FROM ALL OF THE HOSES.

NEW INSTALLATION INSTRUCTIONS

1. ALWAYS WEAR GOGGLES AND GLOVES AND HAVE EMERGENCY WATER AVAILABLE.
2. CLOSE ALL VALVES.
3. OPEN ALL BLEED VALVES AND DRAIN ALL OF THE AMMONIA FROM THE HOSES ATTACHED TO THE TANK AND THE APPLICATOR. **ALWAYS BE CAREFUL WHEN OPENING A BLEED VALVE TO MAKE SURE THE OUTLET IS POINTING IN A SAFE DIRECTION AND AWAY FROM YOU OR ANYONE ELSE. DO NOT PROCEED UNTIL YOU HAVE MADE SURE ALL OF THE AMMONIA HAS BEEN DRAINED FROM ALL OF THE HOSES.**
4. ATTACH THE MOUNTING CLAMP ON TO THE TOOL BAR BY DRILLING TWO 17/32 INCH HOLES ON 2" CENTERS. MAKE SURE IT IS MOUNTED ONTO A PORTION OF THE TOOL BAR THAT IS ATLEAST 1/4" THICK. ATTACH THE TWO 1/2" BOLTS AND NUTS SECURELY TO THE CLAMP AND TOOL BAR AND TIGHTEN FIRMLY. THE FEMALE SIDE OF THE COUPLING WILL ALREADY BE ATTACHED TO THE MOUNTING BRACKET BUT MAKE SURE THE COUPLING IS INSTALLED ON THE CORRECT SIDE OF THE BRACKET AS SHOWN IN THE PHOTO BELOW.

NOTE BRACKET ORIENTATION TOOL BAR

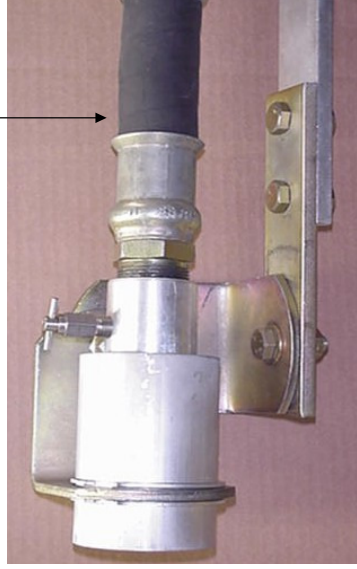


ATTACH THE TWO 1/2" BOLTS AND NUTS DRILL TWO 17/32 INCH HOLES

MAKE SURE YOU HAVE AT LEAST 18" OF SLACK IN THE SECTION OF HOSE CONNECTING THE A-HFC-114 TO THE APPLICATION EQUIPMENT MOUNTED ON THE TOOL BAR TO ALLOW SUFFICIENT ARTICULATION OF THE UNIT.

5. SCREW THE APPLICATOR HOSE INTO THE FEMALE END OF THE COUPLING AND MAKE SURE TO USE PIPE THREAD SEALANT AS SHOWN IN THE PHOTO BELOW

HOSE TO METERING DEVICE



6. IF YOUR SUPPLY HOSE IS ATTACHED TO THE NURSE TANK, SCREW AN ACME ADAPTOR INTO THE 1-1/4" FNPT OF THE MALE END OF THE COUPLING. MAKE SURE TO USE PIPE THREAD SEALANT AS SHOWN IN THE PHOTO BELOW



7. IF YOUR SUPPLY HOSE IS ATTACHED TO THE TOOL BAR THEN SCREW THE SUPPLY HOSE INTO THE 1-1/4" FNPT SIDE OF THE MALE END OF THE COUPLING. AS SHOWN IN THE PHOTO BELOW.



8. ATTACH THE OPERATING INSTRUCTION DECAL TO THE TOOL BAR AS CLOSE TO THE A-HFC-114 AS POSSIBLE

9. FOR CONNECTING THE MALE AND FEMALE ENDS OF THE COUPLING TOGETHER SEE THE "RECONNECTION INSTRUCTIONS" SECTION BELOW.

RETRO-FIT INSTALLATION INSTRUCTIONS

1. ALWAYS WEAR GOGGLES AND GLOVES AND HAVE EMERGENCY WATER AVAILABLE.
2. CLOSE ALL VALVES.
3. OPEN ALL BLEED VALVES AND DRAIN ALL OF THE AMMONIA FROM THE HOSES ATTACHED TO THE TANK AND THE APPLICATOR. **ALWAYS BE CAREFUL WHEN OPENING A BLEED VALVE TO MAKE SURE THE OUTLET IS POINTING IN A SAFE DIRECTION AND AWAY FROM YOU OR ANYONE ELSE. DO NOT PROCEED UNTIL YOU HAVE MADE SURE ALL OF THE AMMONIA HAS BEEN DRAINED FROM ALL OF THE HOSES.**
4. REMOVE THE OLD COUPLING AND THE LAST "L" SHAPED BRACKET FROM THE UNIT AS SHOWN IN THE PHOTO BELOW.

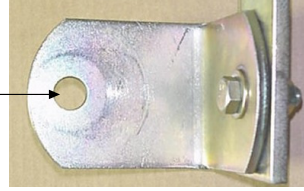


5. THERE ARE 2 DIFFERENT SIZE BRACKETS THAT PIONEER HAS USED WITH THEIR COUPLING. THE OLDER BRACKET HAS A 1/2" BOLT HOLE AND THE NEWER ONE HAS A 3/4" BOLT HOLE. AS SHOWN IN THE PHOTO BELOW.

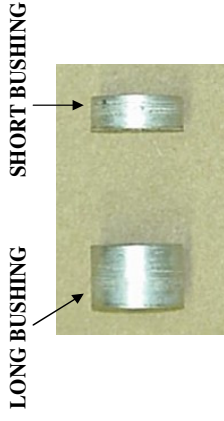
SMALL 1/2" BOLT HOLE BRACKET



BIG 3/4" BOLT HOLE BRACKET

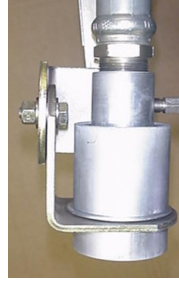
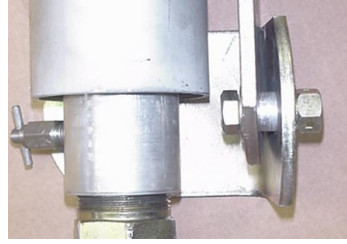
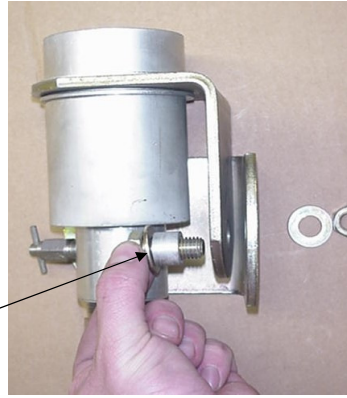


6. IF YOU HAVE THE 1/2" BOLT HOLE BRACKET USE THE SHORT BUSHING, IF YOU HAVE THE 3/4" BOLT HOLE BRACKET USE THE LONG BUSHING AS SHOWN IN THE PHOTO BELOW.



7. ATTACH THE BRACKET WITH THE 1/2" BOLT, WASHERS AND NUT WITH THE CORRECT BUSHING AS SHOWN IN THE PHOTO BELOW AND TIGHTEN FRIMLY. MAKE SURE YOU PUT THE BUSHING ON THE COUPLER BRACKET NOT THE MIDDLE BRACKET AS SHOWN IN THE PHOTO.

BUSHING ON COUPLING BRACKET



8. ******IMPORTANT****** MAKE SURE THE BRACKET SWIVELS UP AND DOWN AND SIDE TO SIDE 80 DEGREES TO EACH SIDE OF CENTER LINE. THERE SHALL BE NOTHING OBSTRUCTING THE SWIVEL FEATURE OF THIS UNIT. DO NOT INSTALL ANY APPARATUS; HOSE SUPPORT ANYTHING ELSE THAT WILL IMPEDE THE MOVEMENT OF THE BREAKAWAY. THIS IS VERY IMPORTANT. IF IT DOES NOT SWIVEL UP AND DOWN AND SIDE TO SIDE THEN IT WILL NOT FUNCTION PROPERLY.
9. AFTER YOU HAVE INSTALLED YOUR NEW COUPLING SEE THE "RECONNECTION INSTRUCTIONS" SECTION ABOVE TO CONNECT THE MALE END.

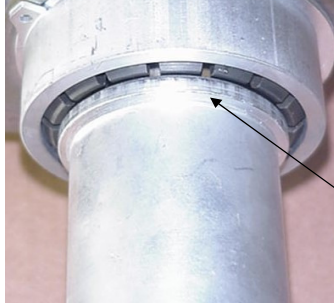
RECONNECTION INSTRUCTIONS

1. ALWAYS WEAR GOGGLES AND GLOVES AND HAVE EMERGENCY WATER AVAILABLE.
2. CLOSE ALL VALVES.
3. OPEN ALL BLEED VALVES AND DRAIN ALL OF THE AMMONIA FROM THE HOSES ATTACHED TO THE TANK AND THE APPLICATOR. ALWAYS BE CAREFUL WHEN OPENING A BLEED VALVE TO MAKE SURE THE OUTLET IS POINTING IN A SAFE DIRECTION AND AWAY FROM YOU OR ANYONE ELSE. DO NOT PROCEED UNTIL YOU HAVE MADE SURE ALL OF THE AMMONIA HAS BEEN DRAINED FROM ALL OF THE HOSES.
4. INSPECT THE ORINGS TO MAKE SURE THEY ARE IN GOOD CONDITION. NEVER LOOK DIRECTLY INTO THE OPENING OF THE MALE OR FEMALE SIDE OF THE QUICK COUPLING. HOLD IT AT AN ANGLE AWAY FROM YOU TO DO THE INSPECTION SO IF ANY AMMONIA IS LEFT IN THE HOSE IT WILL NOT SPRAY ON YOU OR ANYONE ELSE. GREASE O-RINGS IF NECESSARY. SEE PHOTO BELOW



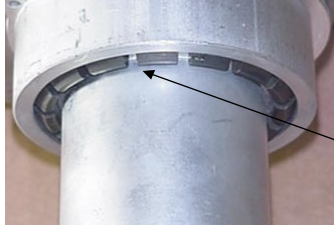
5. SLOWLY INSERT THE MALE END OF THE QUICK COUPLING THAT IS ATTACHED TO THE NURSE TANK HOSE INTO THE FEMALE END OF THE QUICK COUPLING THAT IS ATTACHED TO THE APPLICATOR. IT HELPS SOMETIMES TO TWIST THE MALE END WHEN INSERTING IT TO GET THE MALE TIP PAST THE ORINGS. THEN HOLD THE BRACKET ON THE FEMALE END FIRMLY WITH ONE HAND AND PUSH THE MALE END IN FIRMLY WITH THE OTHER HAND SO IT IS COMPLETELY ATTACHED BY CHECKING TO MAKE SURE THE LOCKING SHOULDER ON THE MALE END IS FULLY INSERTED INTO THE FEMALE END OF THE COUPLING. SEE PHOTO BELOW.

NOT INSTALLED CORRECTLY



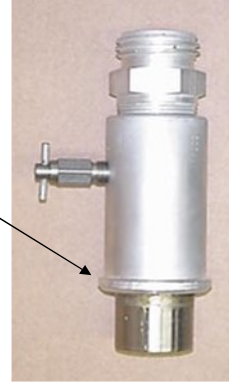
LOCKING SHOULDER NOT INSERTED

INSTALLED CORRECTLY

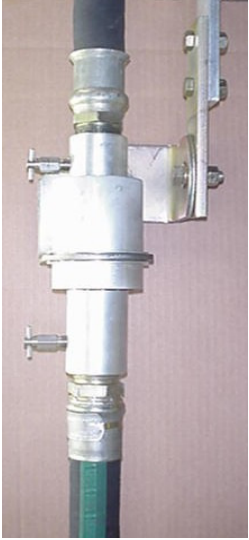


LOCKING SHOULDER INSERTED

LOCKING SHOULDER



COMPLETELY INSTALLED UNIT



6. SHAKE HOSE TO MAKE SURE IT IS SECURELY ATTACHED.
7. CLOSE ALL BLEED VALVES

DISCONNECTION INSTRUCTIONS

1. ALWAYS WEAR GOGGLES AND GLOVES AND HAVE EMERGENCY WATER AVAILABLE.
2. CLOSE ALL VALVES.
3. OPEN ALL BLEED VALVES AND DRAIN ALL OF THE AMMONIA FROM THE HOSES ATTACHED TO THE TANK AND THE APPLICATOR. **ALWAYS BE CAREFUL WHEN OPENING A BLEED VALVE TO MAKE SURE THE OUTLET IS POINTING IN A SAFE DIRECTION AND AWAY FROM YOU OR ANYONE ELSE. DO NOT PROCEED UNTIL YOU HAVE MADE SURE ALL OF THE AMMONIA HAS BEEN DRAINED FROM ALL OF THE HOSES.**
4. PULL THE NURSE TANK HOSE FIRMLY TO DISCONNECT THE MALE END OF THE QUICK COUPLING FROM THE FEMALE END.

MAINTENANCE INSTRUCTIONS

1. ALWAYS WEAR GOGGLES AND GLOVES AND HAVE EMERGENCY WATER AVAILABLE.
2. CLOSE ALL VALVES.
3. OPEN ALL BLEED VALVES AND DRAIN ALL OF THE AMMONIA FROM THE HOSES ATTACHED TO THE TANK AND THE APPLICATOR. **ALWAYS BE CAREFUL WHEN OPENING A BLEED VALVE TO MAKE SURE THE OUTLET IS POINTING IN A SAFE DIRECTION AND AWAY FROM YOU OR ANYONE ELSE. DO NOT PROCEED UNTIL YOU HAVE MADE SURE ALL OF THE AMMONIA HAS BEEN DRAINED FROM ALL OF THE HOSES.**
4. PULL THE NURSE TANK HOSE FIRMLY TO DISCONNECT THE MALE END OF THE QUICK COUPLING FROM THE FEMALE END.
5. REMOVE THE HOSES FROM BOTH THE FEMALE END AND MALE END OF THE QUICK COUPLING SO THAT THE QUICK COUPLING IS NOT CONNECTED TO ANY HOSES.
6. INSPECT THE 2 O-RINGS IN THE FEMALE SIDE OF THE COUPLING FOR CUTS OR PITS IN THE O-RING. REPLACE THEM IF THERE ARE ANY CUTS OR PITS OR SEAM TO BE DRYED OUT OR AGING. IF THEY ARE IN GOOD SHAPE APPLY SOME GREASE TO THEM TO ENSURE THEY REMAIN IN GOOD CONDITION. **NEVER LOOK DIRECTLY**

INTO THE OPENING OF THE MALE OR FEMALE SIDE OF THE QUICK COUPLING. HOLD IT AT AN ANGLE AWAY FROM YOU TO DO THE INSPECTION SO IF ANY AMMONIA IS LEFT IN THE COUPLING IT WILL NOT SPRAY ON YOU OR ANYONE ELSE.

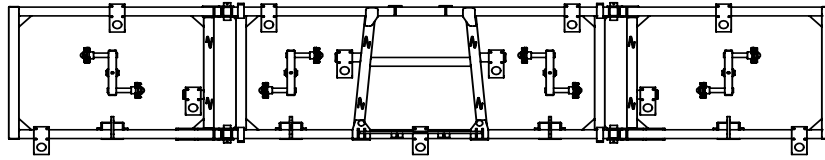
7. INSPECT THE CHECK VALVES IN THE MALE AND FEMALE ENDS OF THE QUICK COUPLING BY PRESSING IN ON THE CHECK VALVE WITH YOUR THUMB TO MAKE SURE THEY MOVE IN AND OUT FREELY.
8. CLEAN ANY DIRT OR DEBRIS THAT YOU FIND IN EITHER END OF THE COUPLING.
9. SPIN THE LOCKING COLLET IN THE FEMALE END OF THE QUICK COUPLING WITH YOUR FINGER TO MAKE SURE IT MOVES FREELY. USE WD-40 OR A SIMILAR PRODUCT IF NECESSARY TO GET IT TO MOVE FREELY.
10. RECONNECT THE HOSES THAT WERE REMOVED AND FOLLOW THE “RECONNECTION INSTRUCTIONS” SECTION ABOVE TO RECONNECT THE QUICK COUPLING.

**IF YOU HAVE ANY QUESTIONS PLEASE CALL US AT
800-537-5642**

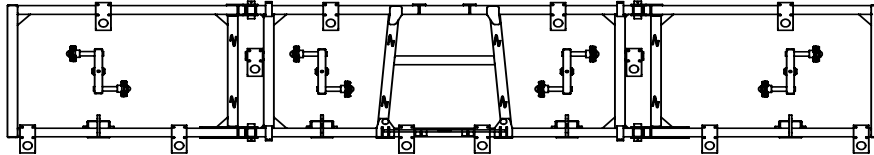
PURGING INSTRUCTIONS FOR REPHASING CYLINDERS

- To properly purge air from the system, cylinders should be fully extended to the rephasing mode.
- Hold the cylinders in the fully extended mode for approximately 30 seconds, retract the cylinders and repeat until all air is purged from the system. Make sure the tractor RPM is moderate so the hydraulic pump is at its full capacity.
- Initial system start-up should be done with the rod end of the cylinders unpinned, making sure to support the rod and watch that the rod will not interfere with any framework or other objects. During initial start-up, the seals may need a few cycles to seat themselves for a good seal.
- Patience is the key and air is the worst enemy. Never loosen a fitting to bleed off the system. This can be dangerous.
- To maintain the rephasing system during normal operating, the cylinders should always be cycled to the full extent of their stroke each time they are operated.

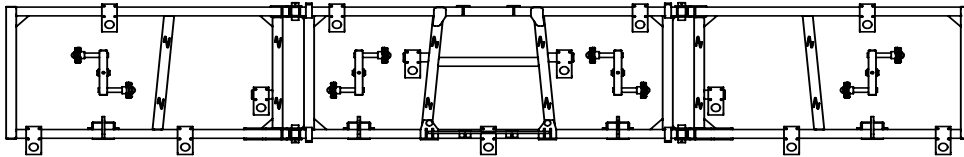
4 X 6 TOOLBAR LAYOUTS



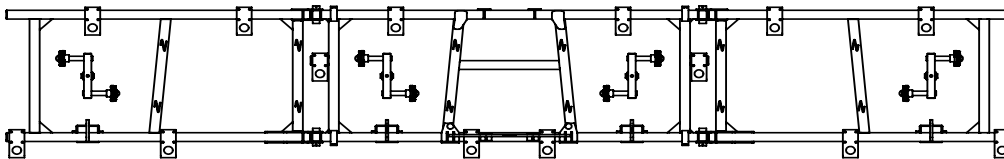
4400047 DW6028 11K



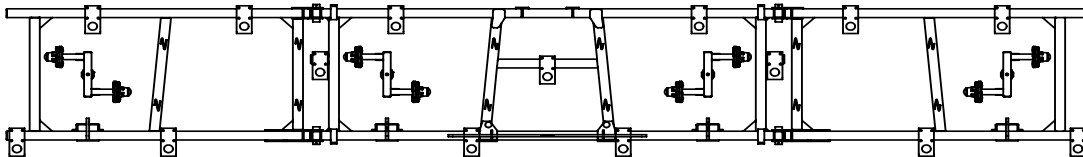
4400149 DW6030 12K



4400150 DW6032 13K



4400151 DW6035 14K



4400049 DW6035 15K

DRAWN BY	RICH SMOTHERS	7/26/2012
CHECKED BY		
PRINT DATE		4/26/2017
CONFIG.	Default	
COMMENTS:		

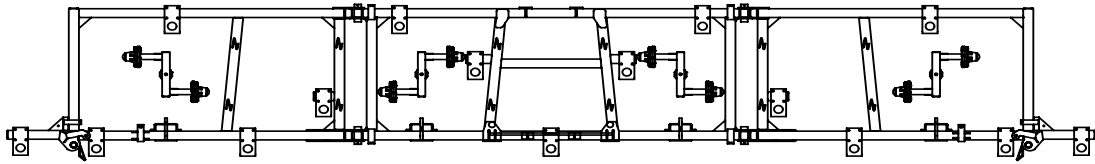


PROPRIETARY AND CONFIDENTIAL
 THE INFORMATION CONTAINED IN THIS DRAWING IS THE SOLE PROPERTY OF DALTON AG. ANY REPRODUCTION IN PART OR AS A WHOLE WITHOUT THE WRITTEN PERMISSION OF DALTON AG IS PROHIBITED.

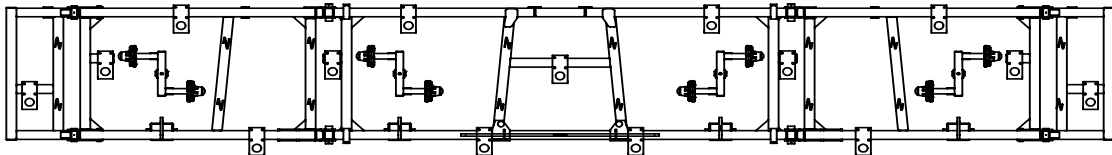
DWG: 4X6 TOOLBARS - LAYOUT AND ROW UNIT PLACEMENT

SIZE A	SHEET TITLE: Sheet1	REV A
SCALE: 1:76		SHEET 1 OF 2

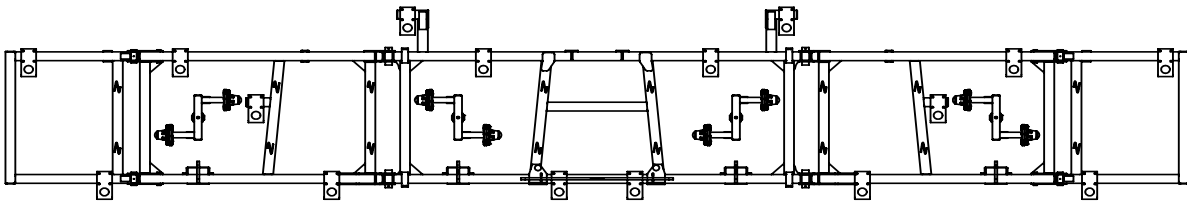
4 X 6 TOOLBAR LAYOUTS



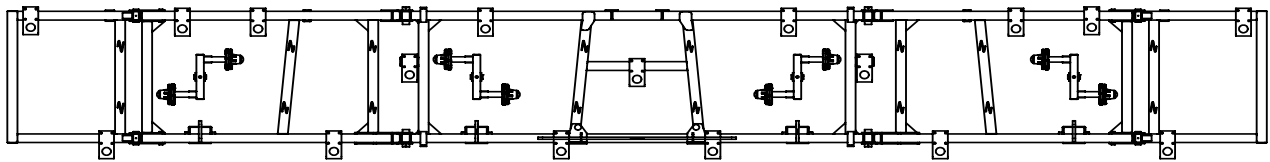
4400157 DW6035 15K



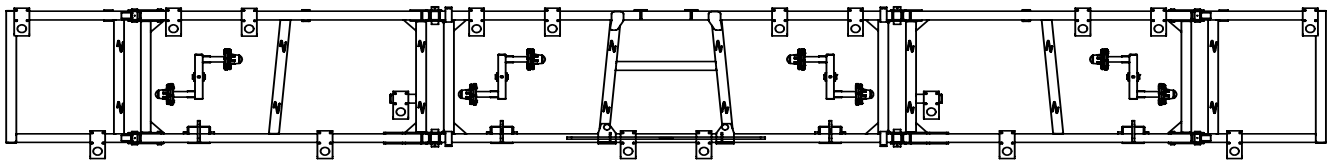
4400158 DW6035 13K-15K COMBO



4400130 DW6040 16K



4400160 DW6040 17K



4400161 DW6045 18K

DRAWN BY	RICH SMOTHERS	8/1/2012
CHECKED BY		
PRINT DATE	4/26/2017	
CONFIG.	Default	
COMMENTS:		

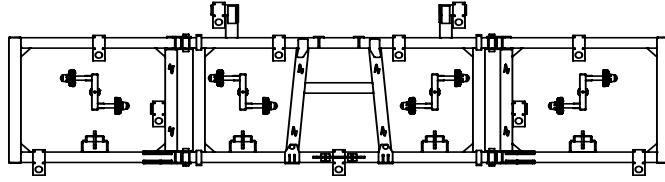


PROPRIETARY AND CONFIDENTIAL
 THE INFORMATION CONTAINED IN THIS DRAWING IS THE SOLE PROPERTY OF DALTON AG. ANY REPRODUCTION IN PART OR AS A WHOLE WITHOUT THE WRITTEN PERMISSION OF DALTON AG IS PROHIBITED.

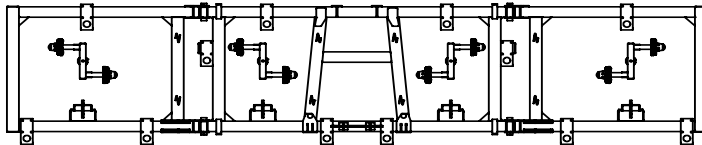
DWG: 4X6 TOOLBARS - LAYOUT AND ROW UNIT PLACEMENT

SIZE	SHEET TITLE:	REV
A	Sheet2	A
SCALE: 1:76		SHEET 2 OF 2

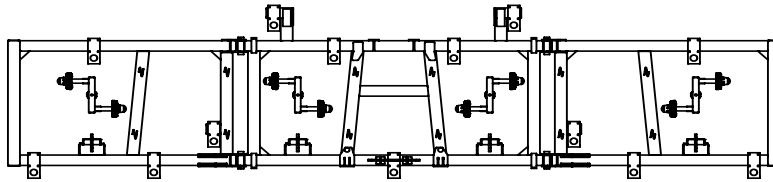
6 X 6 TOOLBAR LAYOUTS



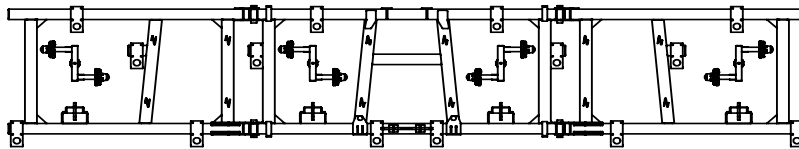
4400152 DW7228 11K



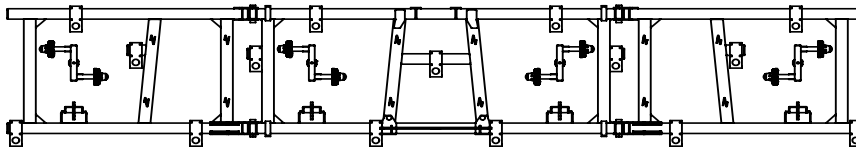
4400153 DW7230 12K



4400155 DW7232 13K



4400156 DW7235 14K



4400163 DW7235 15K

DRAWN BY	RICH SMOTHERS	7/30/2015
CHECKED BY		
PRINT DATE	4/26/2017	
CONFIG.	Default	
COMMENTS:		

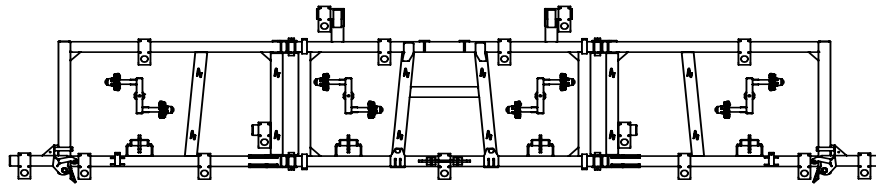


PROPRIETARY AND CONFIDENTIAL
THE INFORMATION CONTAINED IN THIS DRAWING IS THE SOLE PROPERTY OF DALTON AG. ANY REPRODUCTION IN PART OR AS A WHOLE WITHOUT THE WRITTEN PERMISSION OF DALTON AG IS PROHIBITED.

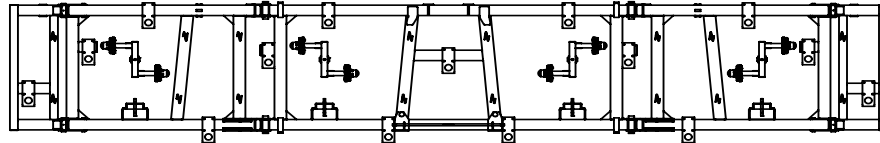
DWG: 6X6 TOOLBARS - LAYOUT AND ROW UNIT PLACEMENT

SIZE	SHEET TITLE:	REV
A	Sheet1	A
SCALE: 1:96	SHEET 1 OF 3	

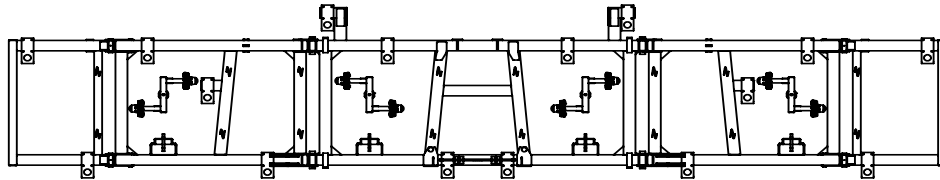
6 X 6 TOOLBAR LAYOUTS



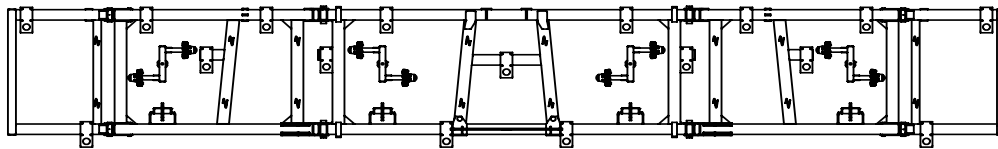
4400164 DW7235 15K



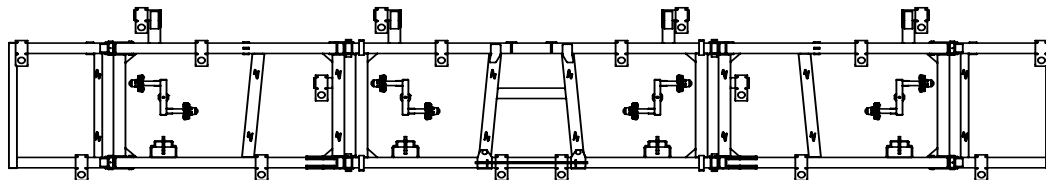
4400165 DW7235 13K-15K COMBO



4400167 DW7240 16K



4400168 DW7240 17K



4400169 DW7245 18K

DRAWN BY	RICH SMOTHERS	7/30/2015
CHECKED BY		
PRINT DATE	4/26/2017	
CONFIG.	Default	
COMMENTS:		

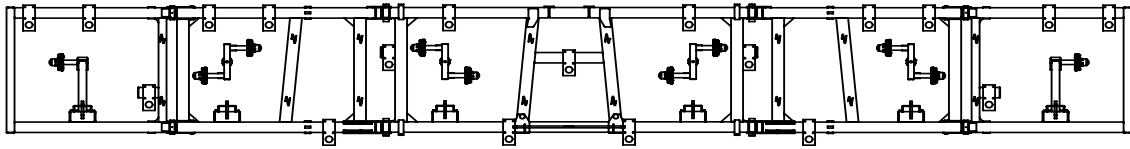


PROPRIETARY AND CONFIDENTIAL
 THE INFORMATION CONTAINED IN THIS DRAWING IS THE SOLE PROPERTY OF DALTON AG. ANY REPRODUCTION IN PART OR AS A WHOLE WITHOUT THE WRITTEN PERMISSION OF DALTON AG IS PROHIBITED.

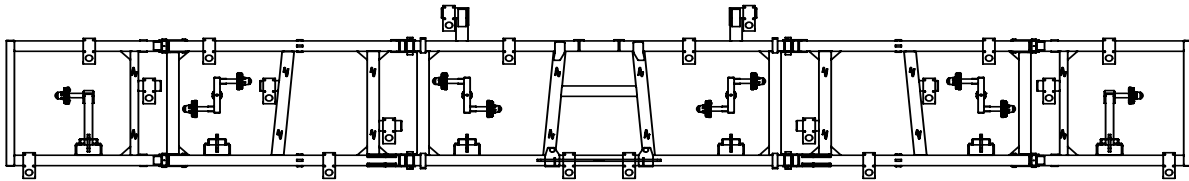
DWG: 6X6 TOOLBARS - LAYOUT AND ROW UNIT PLACEMENT

SIZE	SHEET TITLE:	REV
A	Sheet2	A
SCALE: 1:96	SHEET 2 OF 3	

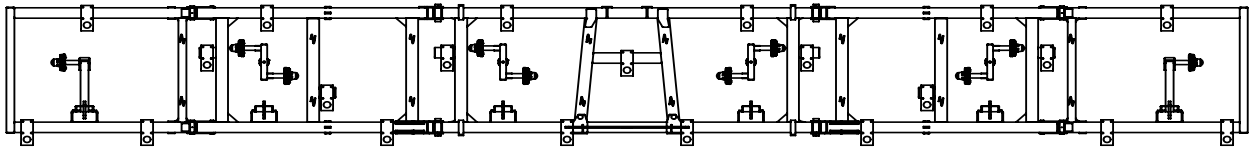
6 X 6 TOOLBAR LAYOUTS



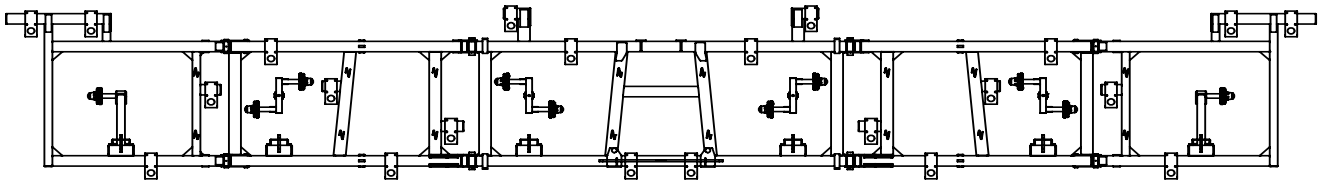
4400171 DW7245 19K



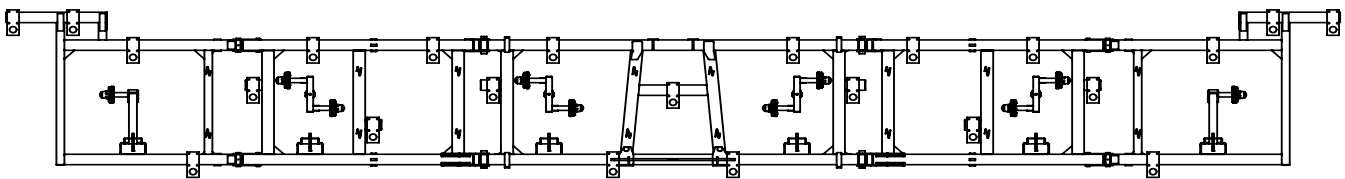
4400172 DW7252 20K



4400173 DW7252 21K



4400174 DW7255 22K



4400175 DW7255 23K

DRAWN BY	RICH SMOTHERS	6/25/2015
CHECKED BY		
PRINT DATE		4/26/2017
CONFIG.	Default	
COMMENTS:		



PROPRIETARY AND CONFIDENTIAL
THE INFORMATION CONTAINED IN THIS DRAWING IS THE SOLE PROPERTY OF DALTON AG. ANY REPRODUCTION IN PART OR AS A WHOLE WITHOUT THE WRITTEN PERMISSION OF DALTON AG IS PROHIBITED.

DWG: 6X6 TOOLBARS - LAYOUT AND ROW UNIT PLACEMENT

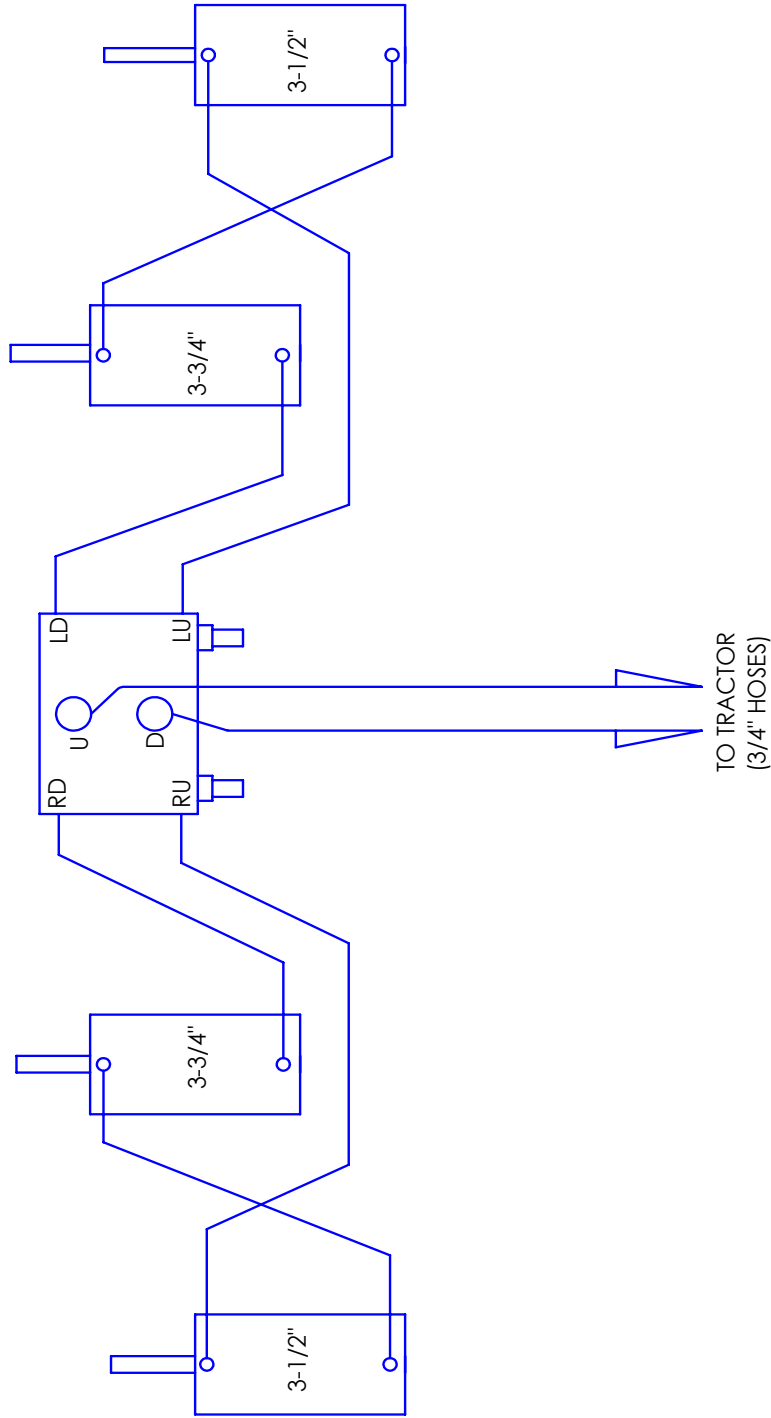
SIZE	SHEET TITLE:	REV
A	Sheet3	A
SCALE: 1:96	SHEET 3 OF 3	

CYLINDERS

Part #	Description	Center & Wing Dimensions			Wing Cylinders		Standard Lift Kit - Standing behind the bar left to right				Heavy Duty Lift Kit - Standing behind the bar left to right				Hyd Outboard Gauge Wheel	
		Center	Inboard	Outboard	Front Fold	Inboard	Outboard	Front Fold	Left Wing	Left Center	Right Center	Right Wing	Left Wing	Left Center		Right Center
CLASS 1																
4400047	DW6028-46 (11K)	156" (13')	80"	N/A	N/A	3.50"x30"	N/A	N/A	2.75"x10"	3.50"x10"	3.75"x10"	3"x10"	3.50"x10"	3.75"x10"	3.50"x10"	N/A
4400149	DW6030-46 (12K)	156" (13')	90"	N/A	N/A	3.50"x30"	N/A	N/A	2.75"x10"	3.50"x10"	3.75"x10"	3"x10"	3.50"x10"	3.75"x10"	3.50"x10"	N/A
4400150	DW6032-46 (13K)	156" (13')	108"	N/A	N/A	3.50"x30"	N/A	N/A	2.75"x10"	3.50"x10"	3.75"x10"	3"x10"	3.50"x10"	3.75"x10"	3.50"x10"	N/A
4400151	DW6035-46 (14K)	156" (13')	120"	N/A	N/A	3.50"x30"	N/A	N/A	2.75"x10"	3.50"x10"	3.75"x10"	3"x10"	3.50"x10"	3.75"x10"	3.50"x10"	N/A
4400152	DW7228-66 (11K)	156" (13')	80"	N/A	N/A	4"x36"	N/A	N/A	N/A	N/A	3.75"x10"	N/A	3.50"x10"	3.75"x10"	3.50"x10"	N/A
4400153	DW7230-66 (12K)	156" (13')	90"	N/A	N/A	4"x36"	N/A	N/A	N/A	N/A	3.75"x10"	N/A	3.50"x10"	3.75"x10"	3.50"x10"	N/A
4400155	DW7232-66 (13K)	156" (13')	108"	N/A	N/A	4"x36"	N/A	N/A	N/A	N/A	3.75"x10"	N/A	3.50"x10"	3.75"x10"	3.50"x10"	N/A
4400156	DW7235-66 (14K)	156" (13')	120"	N/A	N/A	4"x36"	N/A	N/A	N/A	N/A	3.75"x10"	N/A	3.50"x10"	3.75"x10"	3.50"x10"	N/A
CLASS 2																
4400049	DW6035-46 (15K)	186" (15.5')	120"	N/A	N/A	3.50"x30"	N/A	N/A	N/A	N/A	N/A	N/A	3.50"x10"	3.75"x10"	3.50"x10"	N/A
4400157	DW6035-46 (15K)	156" (13')	108"	N/A	24"	4"x30"	N/A	3"x12"	N/A	N/A	N/A	N/A	3.50"x10"	3.75"x10"	3.50"x10"	N/A
4400158	DW6035-46 (13K-15K)	186" (15.5')	96"	24"	N/A	4"x30"	3.5"x30"	N/A	N/A	N/A	N/A	N/A	3.50"x10"	3.75"x10"	3.50"x10"	N/A
4400130	DW6040-46 (16K)	168" (14')	96"	48"	N/A	4"x30"	3.5"x30"	N/A	N/A	N/A	N/A	N/A	3.50"x10"	3.75"x10"	3.50"x10"	3.25"x10"
4400160	DW6040-46 (17K)	186" (15.5')	102"	48"	N/A	4"x30"	3.5"x30"	N/A	N/A	N/A	N/A	N/A	3.50"x10"	3.75"x10"	3.50"x10"	3.25"x10"
4400161	DW6045-46 (18K)	186" (15.5')	114"	48"	N/A	4"x30"	3.5"x30"	N/A	N/A	N/A	N/A	N/A	3.50"x10"	3.75"x10"	3.50"x10"	3.25"x10"
4400163	DW7235-66 (15K)	186" (15.5')	120"	N/A	N/A	4"x36"	N/A	N/A	N/A	N/A	N/A	N/A	3.50"x10"	3.75"x10"	3.50"x10"	N/A
4400164	DW7235-66 (15K)	156" (13')	108"	N/A	24"	4"x36"	N/A	3"x12"	N/A	N/A	N/A	N/A	3.50"x10"	3.75"x10"	3.50"x10"	N/A
4400165	DW7235-66 (13K-15K)	186" (15.5')	96"	24"	N/A	4"x36"	4"x30"	N/A	N/A	N/A	N/A	N/A	3.50"x10"	3.75"x10"	3.50"x10"	N/A
4400167	DW7240-66 (16K)	168" (14')	96"	48"	N/A	4"x36"	4"x30"	N/A	N/A	N/A	N/A	N/A	3.50"x10"	3.75"x10"	3.50"x10"	3.25"x10"
4400168	DW7240-66 (17K)	186" (15.5')	102"	48"	N/A	4"x36"	4"x30"	N/A	N/A	N/A	N/A	N/A	3.50"x10"	3.75"x10"	3.50"x10"	3.25"x10"
4400169	DW7245-66 (18K)	186" (15.5')	114"	48"	N/A	4"x36"	4"x30"	N/A	N/A	N/A	N/A	N/A	3.50"x10"	3.75"x10"	3.50"x10"	3.25"x10"
CLASS 3																
4400171	DW7245-66 (19K)	186" (15.5')	102"	80"	N/A	4.5"x36"	(4) 4"x30"	N/A	N/A	N/A	N/A	N/A	3.50"x10"	3.75"x10"	3.50"x10"	3.25"x10"
4400172	DW7252-66 (20K)	192" (16')	118"	76"	N/A	4.5"x36"	(4) 4"x30"	N/A	N/A	N/A	N/A	N/A	3.50"x10"	3.75"x10"	3.50"x10"	3.25"x10"
4400173	DW7252-66 (21K)	192" (16')	118"	90"	N/A	4.5"x36"	(4) 4"x30"	N/A	N/A	N/A	N/A	N/A	3.50"x10"	3.75"x10"	3.50"x10"	3.25"x10"
4400174	DW7255-66 (22K)	192" (16')	118"	111"	N/A	4.5"x36"	(4) 4"x30"	N/A	N/A	N/A	N/A	N/A	3.50"x10"	3.75"x10"	3.50"x10"	3.25"x10"
4400175	DW7255-66 (23K)	192" (16')	118"	117"	N/A	4.5"x36"	(4) 4"x30"	N/A	N/A	N/A	N/A	N/A	3.50"x10"	3.75"x10"	3.50"x10"	3.25"x10"

HEAVY DUTY LIFT HYDRAULICS

HEAVY DUTY LIFT HYDRAULICS



DRAWN BY RICH SMOTHERS

CHECKED BY

PRINT DATE

CONFIG.

COMMENTS:

PROPRIETARY AND CONFIDENTIAL
 THE INFORMATION CONTAINED IN THIS
 DRAWING IS THE SOLE PROPERTY OF
 DALTON A.G. ANY REPRODUCTION IN
 PART OR AS A WHOLE WITHOUT THE
 WRITTEN PERMISSION OF DALTON A.G IS
 PROHIBITED.



DWG: HEAVY DUTY LIFT HYDRAULICS

SIZE SHEET TITLE: Sheet1 REV A

SCALE: 1:10 SHEET 1 OF 1

5

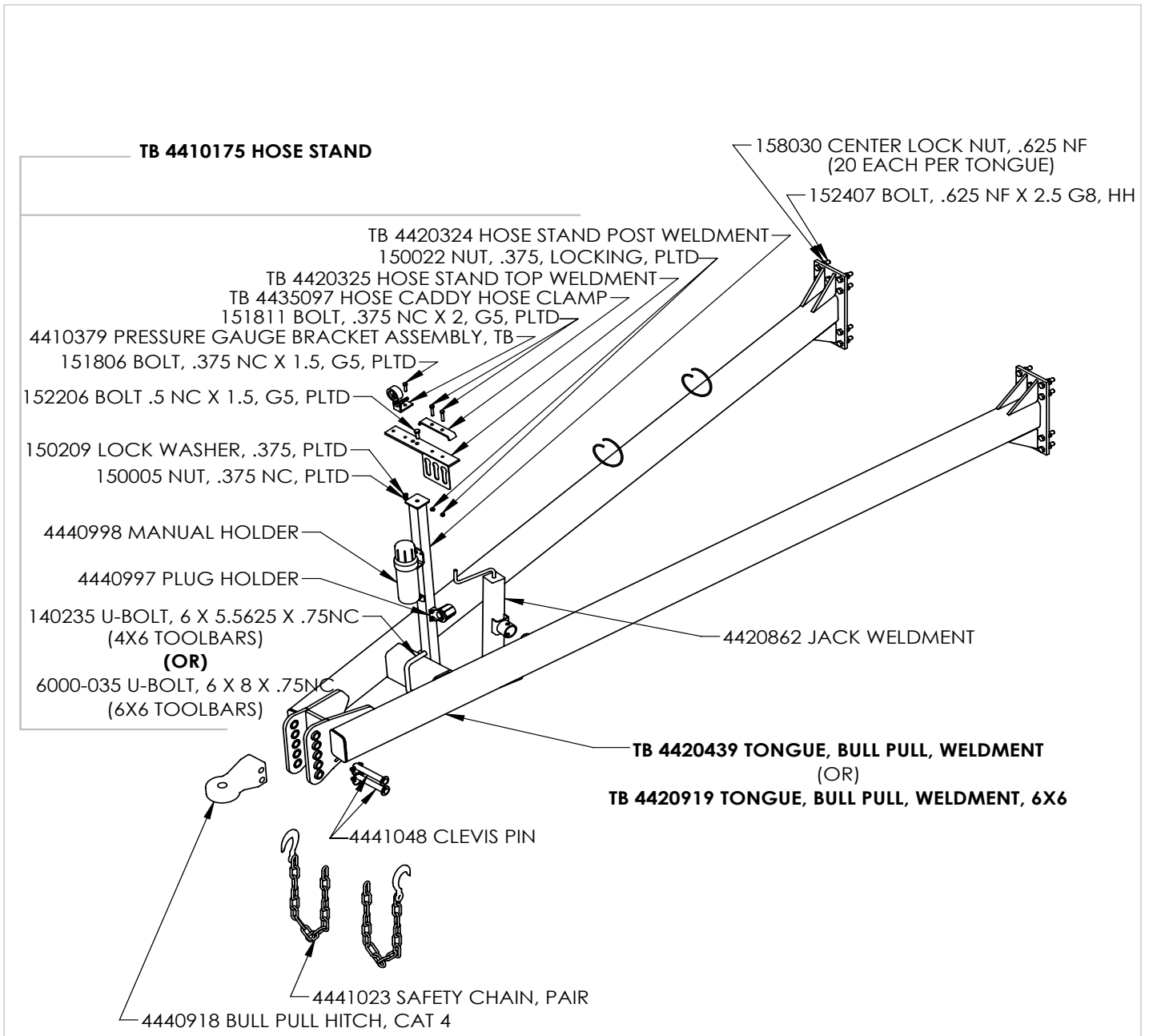
4

3

2

1

BULL PULL TONGUE AND HOSE STAND ASSEMBLY



DRAWN BY	RICH SMOTHERS	11/14/2014
CHECKED BY		
PRINT DATE	5/31/2017	
CONFIG.	Default	
COMMENTS:		

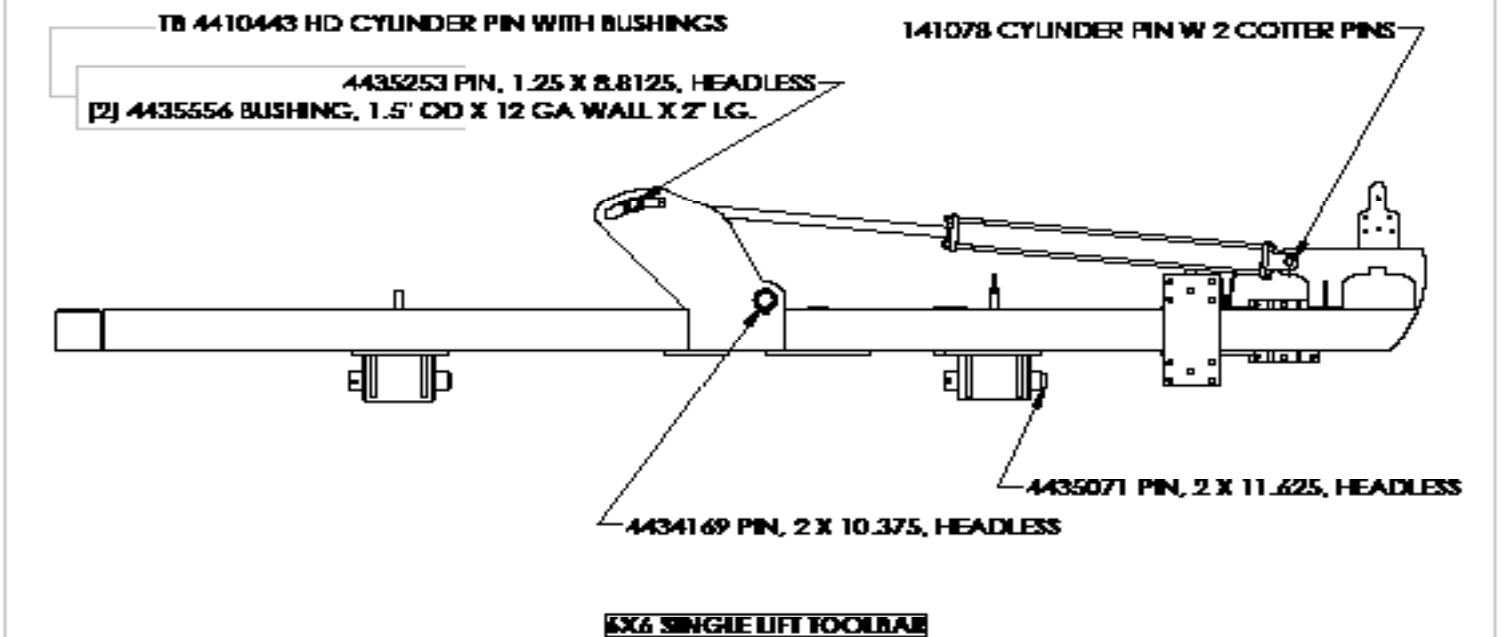
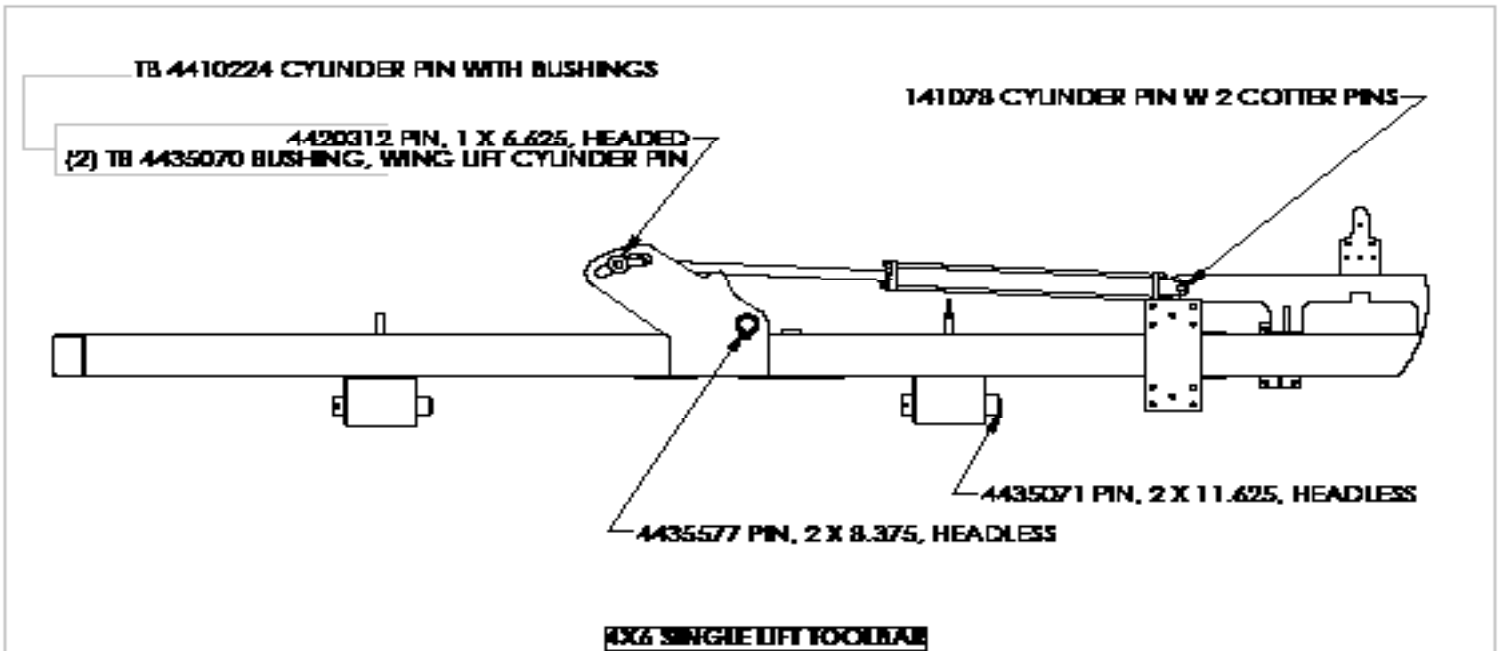


DWG: TB BULL PULL TONGUE AND HOSE STAND ASSEMBLY

SIZE A	SHEET TITLE: Sheet1	REV A
SCALE: 1:24		SHEET 1 OF 1

PROPRIETARY AND CONFIDENTIAL
THE INFORMATION CONTAINED IN THIS DRAWING IS THE SOLE PROPERTY OF DALTON AG. ANY REPRODUCTION IN PART OR AS A WHOLE WITHOUT THE WRITTEN PERMISSION OF DALTON AG IS PROHIBITED.

SINGLE FOLD TOOLBAR - CYLINDERS & PINS



DRAWN BY	RICH SMOTHERS	7/24/2012
CHECKED BY		
PRINT DATE		9/1/2017
CONFIG.	Default	
COMMENTS:		

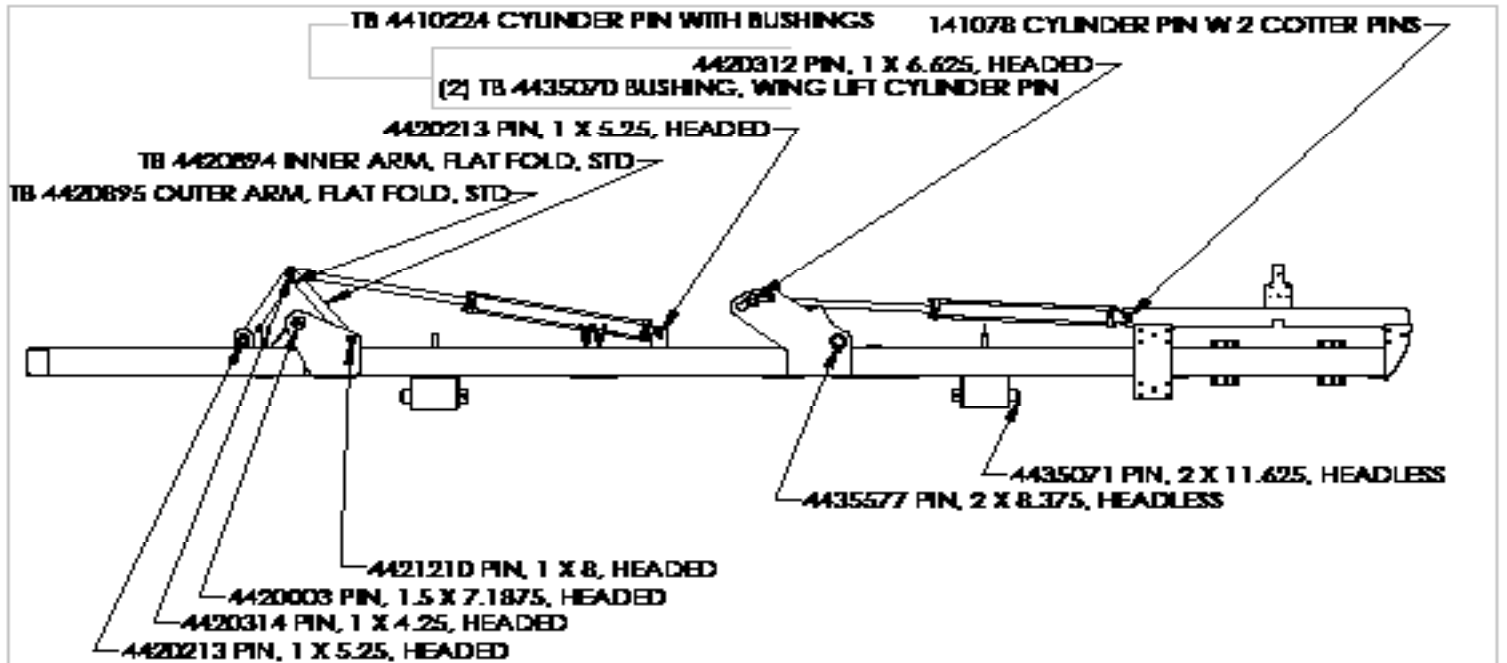


PROPRIETARY AND CONFIDENTIAL
 THE INFORMATION CONTAINED IN THIS
 DRAWING IS THE SOLE PROPERTY OF
 DALTON AG. ANY REPRODUCTION IN
 PART OR AS A WHOLE WITHOUT THE
 WRITTEN PERMISSION OF DALTON AG IS
 PROHIBITED.

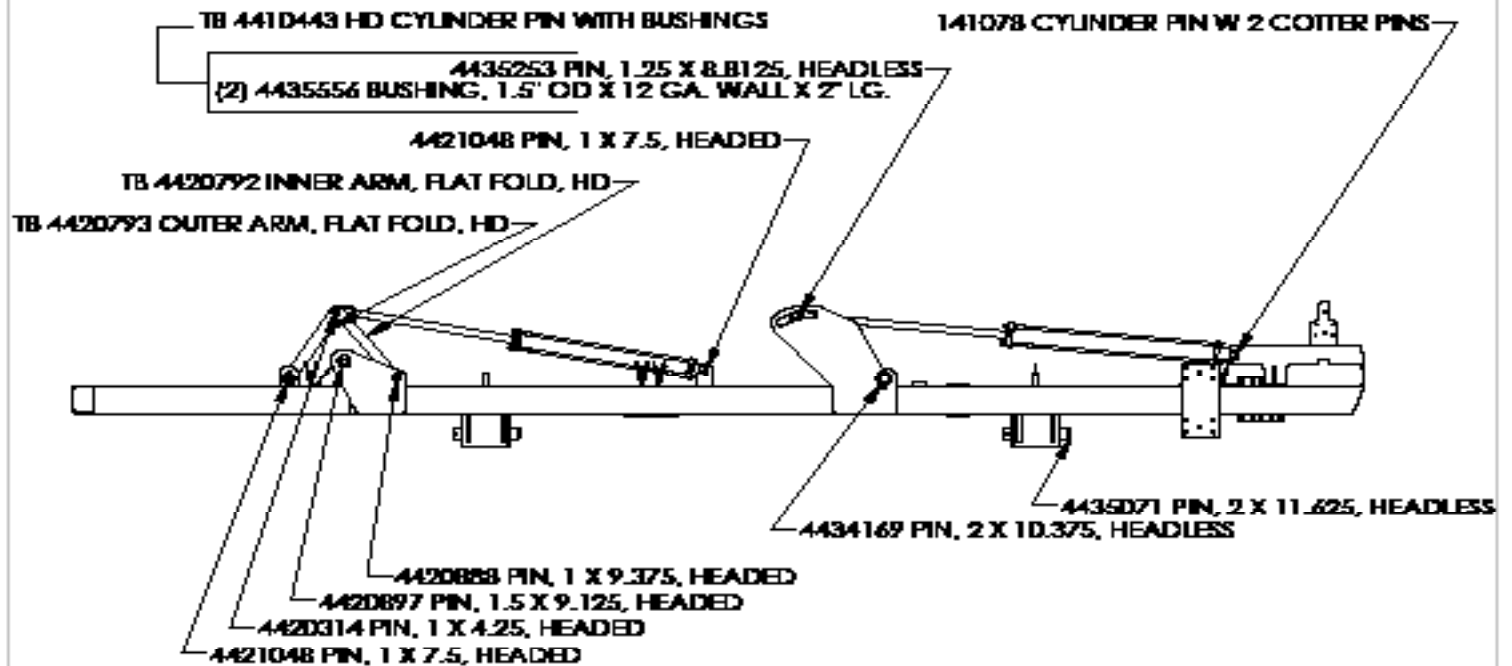
DWG:
SINGLE LIFT TOOLBAR - CYLINDERS AND PINS

SIZE	SHEET TITLE	SHEET	REV
A		Sheet 1	A
SCALE: 1:24		SHEET 1 OF 1	

DOUBLE FOLD TOOLBAR - CYLINDERS & PINS



4X4 DOUBLE LIFT TOOLBAR



6X6 DOUBLE LIFT TOOLBAR

DRAWN BY	RICH SMOTHERS	7/14/2016
CHECKED BY		
PRINT DATE	11/15/2017	
CONFIG.	Default	
COMMENTS:		

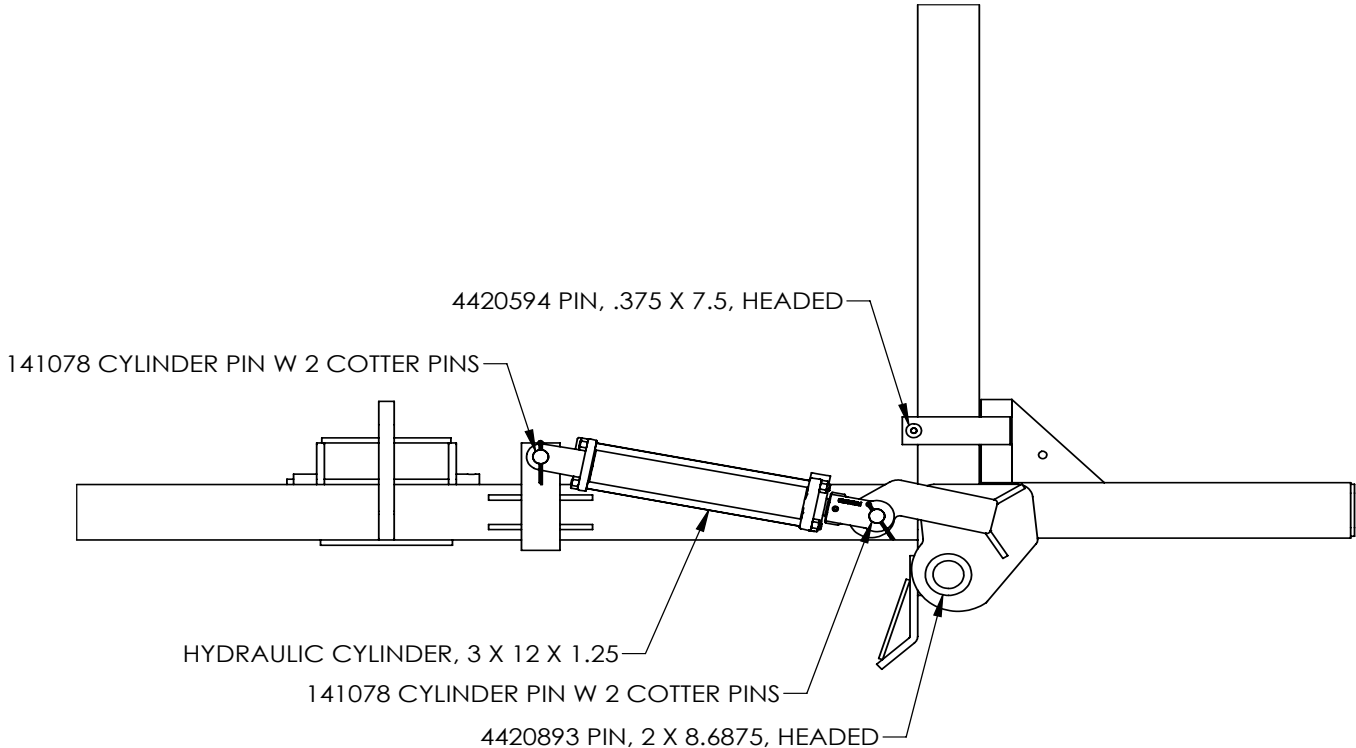


PROPRIETARY AND CONFIDENTIAL
 THE INFORMATION CONTAINED IN THIS
 DRAWING IS THE SOLE PROPERTY OF
 DALTON AG. ANY REPRODUCTION IN
 PART OR AS A WHOLE WITHOUT THE
 WRITTEN PERMISSION OF DALTON AG IS
 PROHIBITED.

DWG: DOUBLE LIFT TOOLBAR - CYLINDERS AND PINS

SIZE	SHEET TITLE	Sheet 1	REV
A			A
SCALE 1:36		SHEET 1 OF 1	

FRONT FOLD TOOLBAR - CYLINDERS & PINS



FRONT FOLD TOOLBAR

DRAWN BY	RICH SMOTHERS	8/1/2012
CHECKED BY		
PRINT DATE	9/19/2017	
CONFIG.	Default	



PROPRIETARY AND CONFIDENTIAL
THE INFORMATION CONTAINED IN THIS DRAWING IS THE SOLE PROPERTY OF DALTON AG. ANY REPRODUCTION IN PART OR AS A WHOLE WITHOUT THE WRITTEN PERMISSION OF DALTON AG IS PROHIBITED.

COMMENTS:

DWG: FRONT FOLD TOOLBAR		
SIZE A	SHEET TITLE: Sheet1	REV A
SCALE: 1:12		SHEET 1 OF 1

WING LOCK OPTIONS

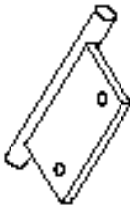
TOOLBAR WING LOCK OPTIONS



TB 4435277 BOLT PLATE, WING LOCK HOOK



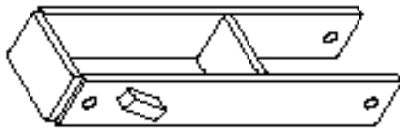
TB 4435458 BOLT PLATE, WING LOCK HOOK, 6X4



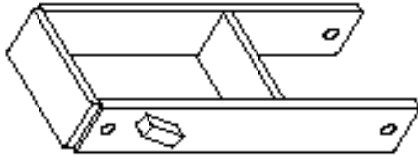
TB 4420425 WING LOCK HOOK, WEIDMANN



TB 4420463 WING LOCK HOOK, 4X4



**TB 4420369 WING LOCK BASE, WEIDMANN
[CR]**



**TB 4420370 WING LOCK, 6x6, BASE, WEIDMANN
[CR]**



**4420426 WING LATCH
[OR]**

**4420945 WING LATCH
[USE WITH OFFSET BASE]**

4420944 TB WING LOCK, 4X6, OFFSET BASE

PROVISIONAL AND CONFIDENTIAL
 THE INFORMATION CONTAINED IN THIS
 DRAWING IS THE SOLE PROPERTY OF
 DALTON AND ANY REPRODUCTION IN
 PART OR AS A WHOLE WITHOUT THE
 WRITTEN PERMISSION OF DALTON IS
 PROHIBITED.

DRAWN BY	RICH SMOTHERS	7/31/2016	Dalton WILLYN BENTLEY, INCORPORATED	
CHECKED BY			DWG: TOOLBAR WING LOCK OPTIONS	
PUBLISH DATE	6/21/2016			
CONFIG.	Default/PLA/PATTERN		SIZE	A
COMMENTS			SHEET TITLE	Sheet
			SCALE	1:8
			REV	A
			SHEET 1 OF 1	

5

4

3

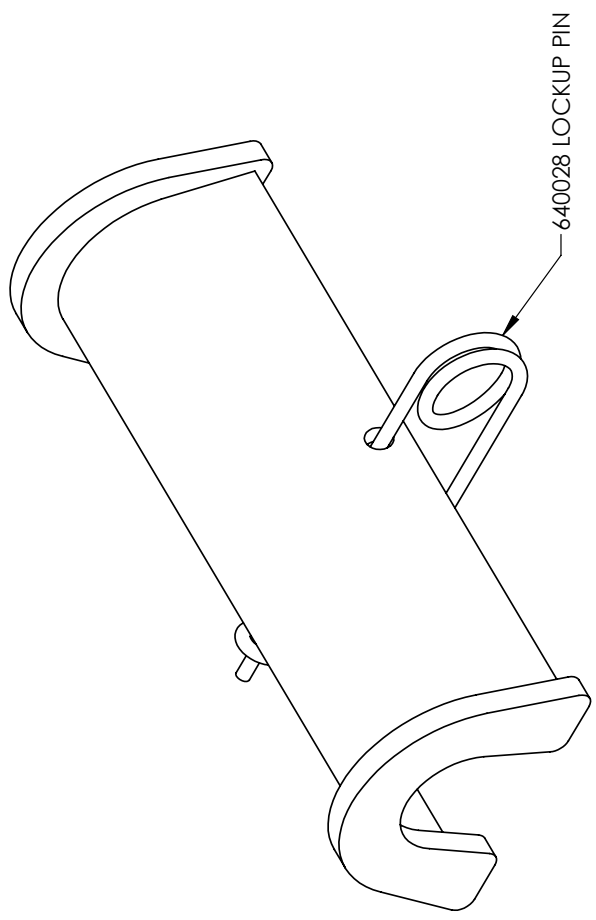
2

1

TOOLBAR CYLINDER STOP

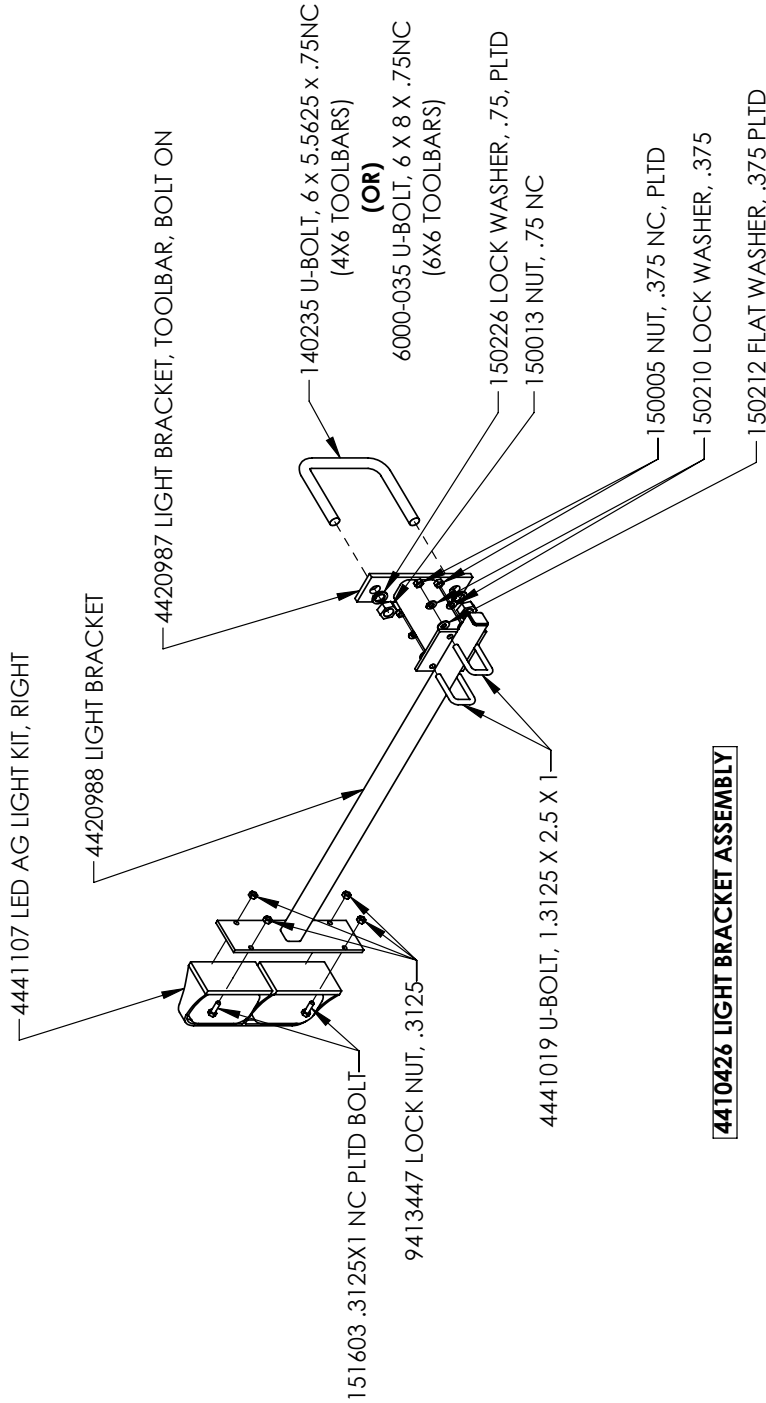
SUBWELDMENT

TOOLBAR CYLINDER STOP



TB 4410231 - 10, CYLINDER LOCKUP

DRAWN BY	Jeremy Newton	2/14/2017	 602 E. VAN BUREN ST., LENOX, IA 50651	
CHECKED BY				
PRINT DATE	2/16/2017			
CONFIG.	Default			
COMMENTS:			DWG:	TOOLBAR CYLINDER STOP
PROPRIETARY AND CONFIDENTIAL THE INFORMATION CONTAINED IN THIS DRAWING IS THE SOLE PROPERTY OF DALTON AG. ANY REPRODUCTION IN PART OR AS A WHOLE WITHOUT THE WRITTEN PERMISSION OF DALTON AG IS PROHIBITED.			SIZE	REV
			A	Sheet1
SCALE: 1:2			SHEET 1 OF 1	



4410426 LIGHT BRACKET ASSEMBLY

NOTE:
ASSEMBLY CONTAINS A RIGHT AND LEFT CONFIGURATION PER TOOLBAR. RIGHT CONFIGURATION SHOWN.

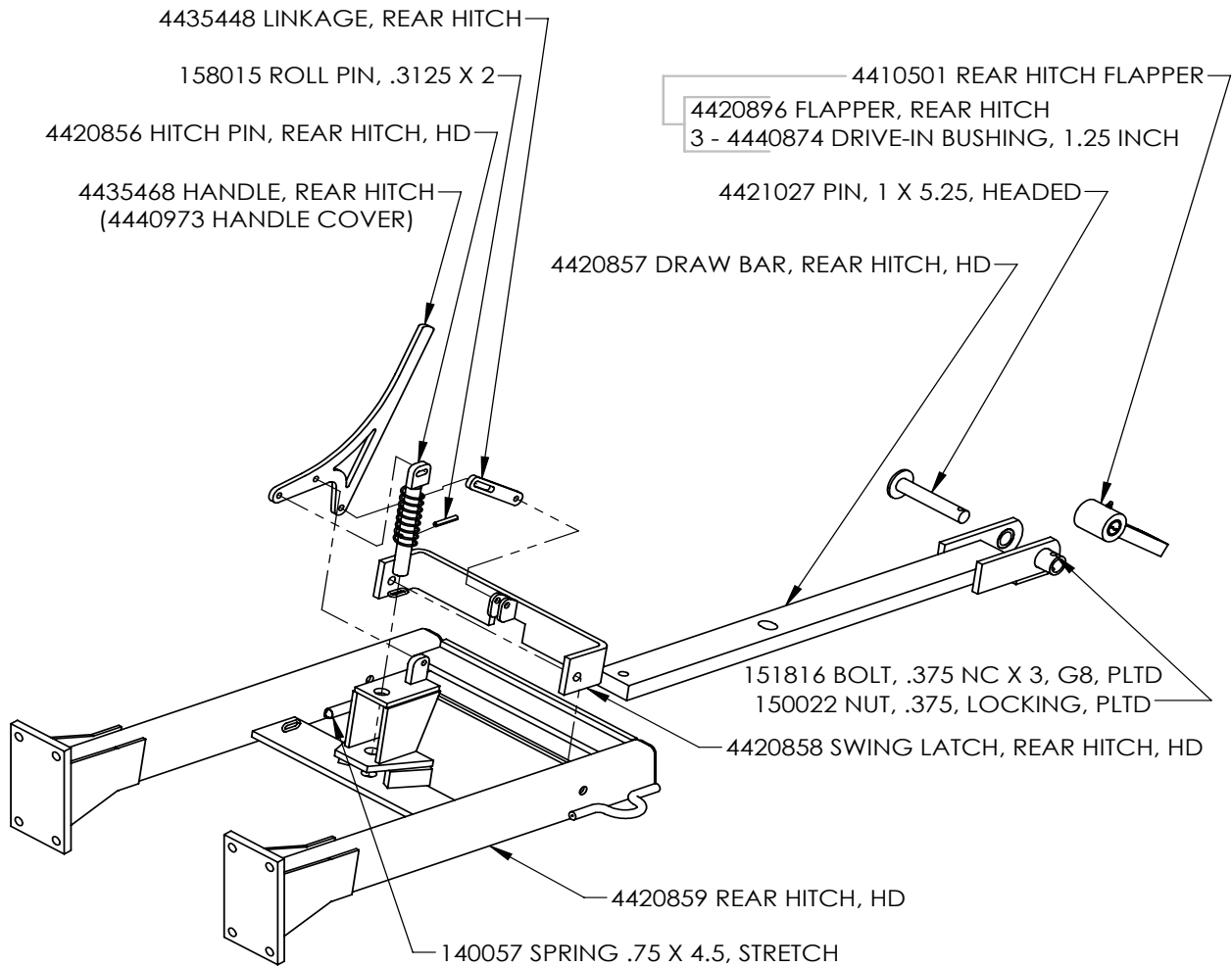
DRAWN BY	RICH SMOTHERS	2/14/2017
CHECKED BY		
PRINT DATE	5/17/2017	
CONFIG.	Default	
COMMENTS:		

Dalton
USA
TOOLBAR LIGHTS
602 E. VAN BUREN ST., LENOX, IA 50651

DWG: TOOLBAR LIGHT KIT

<p>PROPRIETARY AND CONFIDENTIAL THE INFORMATION CONTAINED IN THIS DRAWING IS THE SOLE PROPERTY OF DALTON AG. ANY REPRODUCTION IN PART OR AS A WHOLE WITHOUT THE WRITTEN PERMISSION OF DALTON AG IS PROHIBITED.</p>		
SIZE	SHEET TITLE:	REV
A	Sheet1	
SCALE: 1:12	SHEET 1 OF 1	

REAR HITCH, HD



4410368 REAR HITCH, HD

DRAWN BY	RICH SMOTHERS	7/17/2008
CHECKED BY		
PRINT DATE	9/18/2017	
CONFIG.	NO HARDWARE	
COMMENTS:		



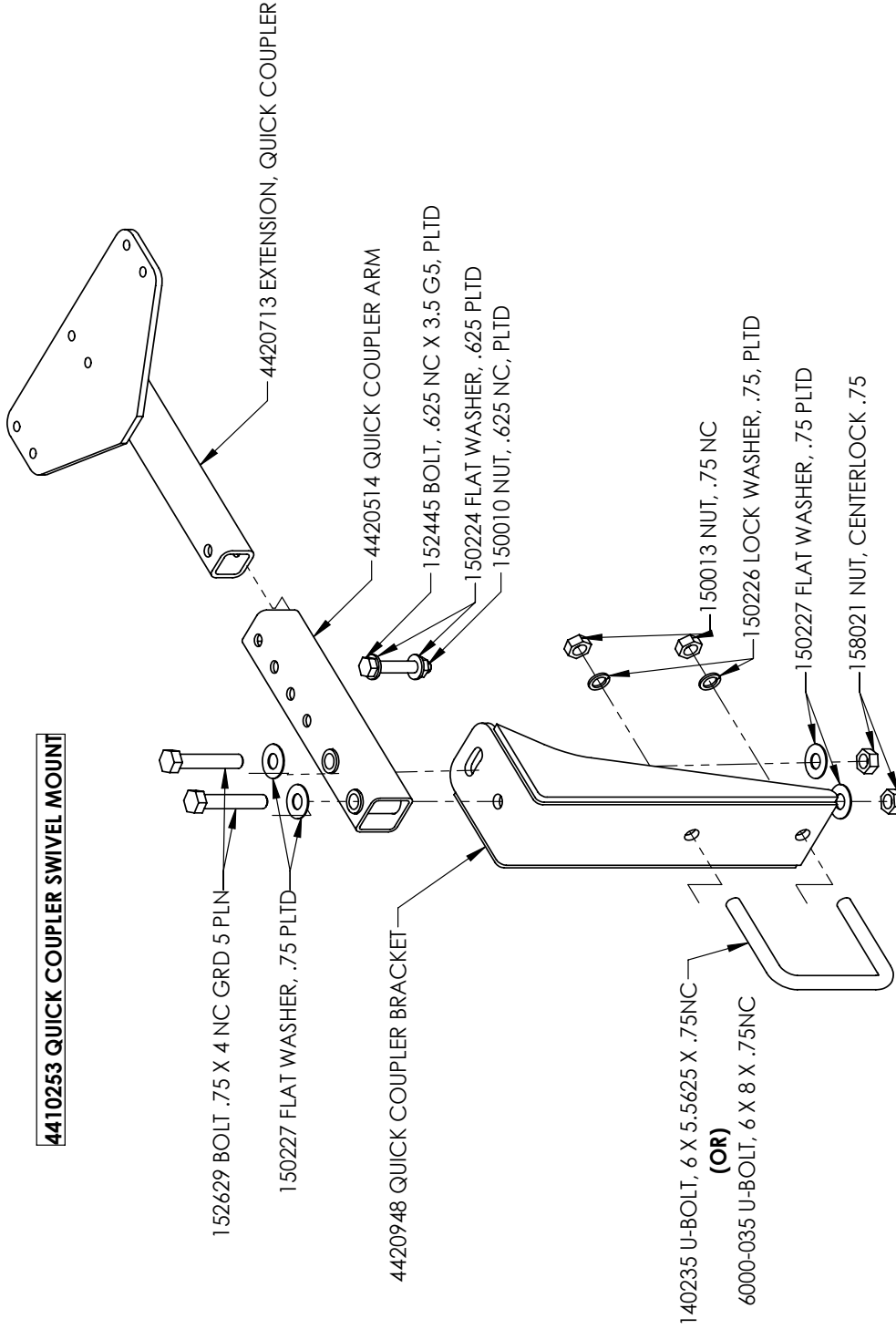
DWG:		REAR HITCH, HD	
SIZE	SHEET TITLE:		REV
A	Sheet1		A
SCALE: 1:12		SHEET 1 OF 1	

PROPRIETARY AND CONFIDENTIAL
 THE INFORMATION CONTAINED IN THIS DRAWING IS THE SOLE PROPERTY OF DALTON AG. ANY REPRODUCTION IN PART OR AS A WHOLE WITHOUT THE WRITTEN PERMISSION OF DALTON AG IS PROHIBITED.

QUICK COUPLER SWIVEL MOUNT

QUICK COUPLER SWIVEL MOUNT

4410253 QUICK COUPLER SWIVEL MOUNT



DRAWN BY	RICH SMOTHERS	7/15/2013
CHECKED BY		
PRINT DATE	4/21/2017	
CONFIG.	Default	
COMMENTS:		



DWG: QUICK COUPLER SWIVEL MOUNT

SIZE	A	SHEET TITLE:	Sheet1	REV	A
SCALE:	1:8	SHEET 1 OF 1			

PROPRIETARY AND CONFIDENTIAL
 THE INFORMATION CONTAINED IN THIS DRAWING IS THE SOLE PROPERTY OF DALTON A.G. ANY REPRODUCTION IN PART OR AS A WHOLE WITHOUT THE WRITTEN PERMISSION OF DALTON A.G IS PROHIBITED.

5

4

3

2

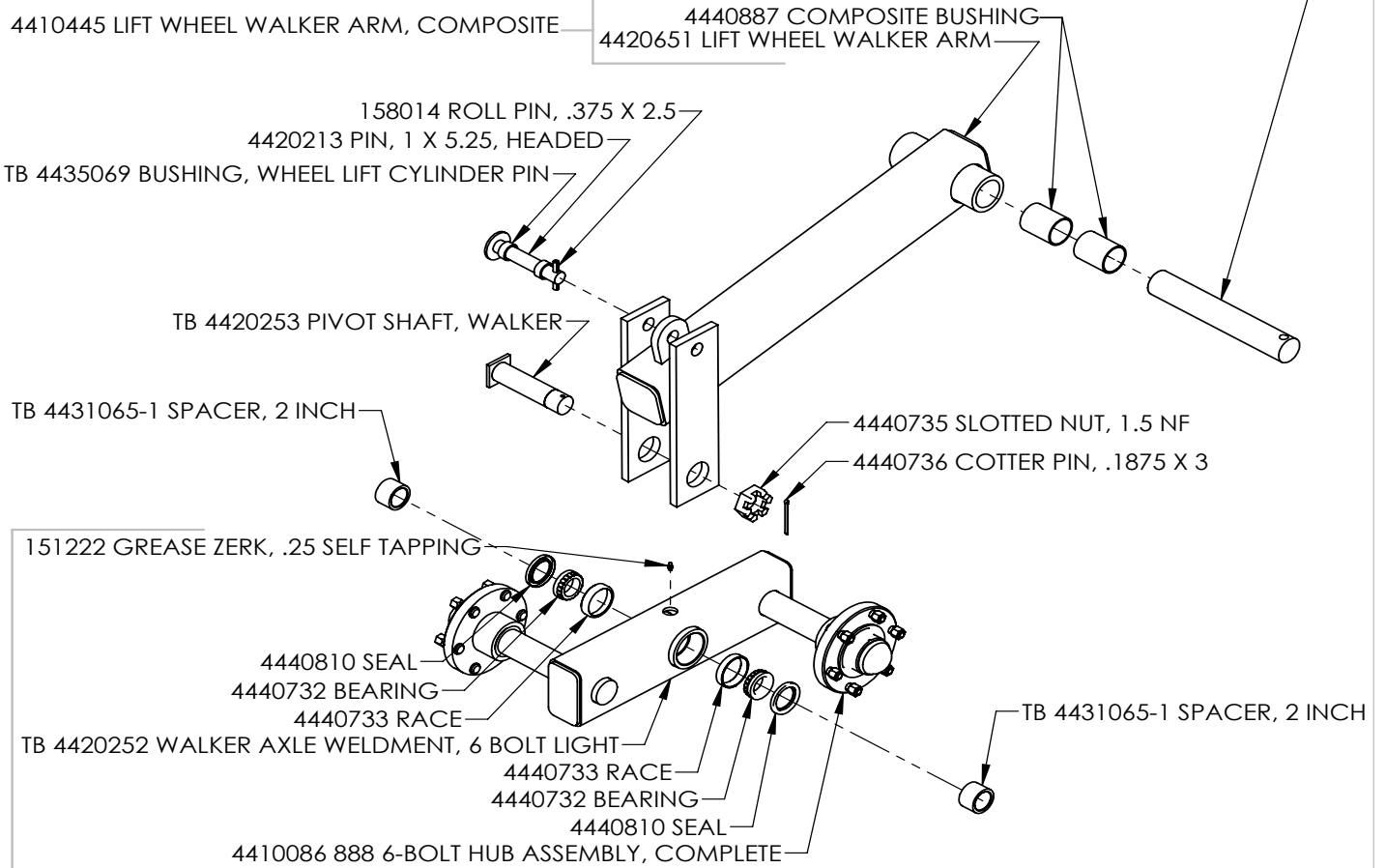
1

WALKING AXLE ASSEMBLY

4450046 WALKER PIVOT REBUILD KIT

- INCLUDES (2) BEARINGS, (2) RACES, (2) SEALS

4435071 PIN, 2 X 11.625, HEADLESS
 USE WITH PART NOS.:
 151816 BOLT, 3/8" NC X 3", G8
 150022 LOCKNUT, 3/8" NC



TB 4410148 WALKER AXLE WITH HUB

TB 4410231-10 CYLINDER LOCKUP
 WITH 640028 SAFETY PIN

DRAWN BY	RICH SMOTHERS	8/29/2014
CHECKED BY		
PRINT DATE		5/19/2017
CONFIG.	Default	



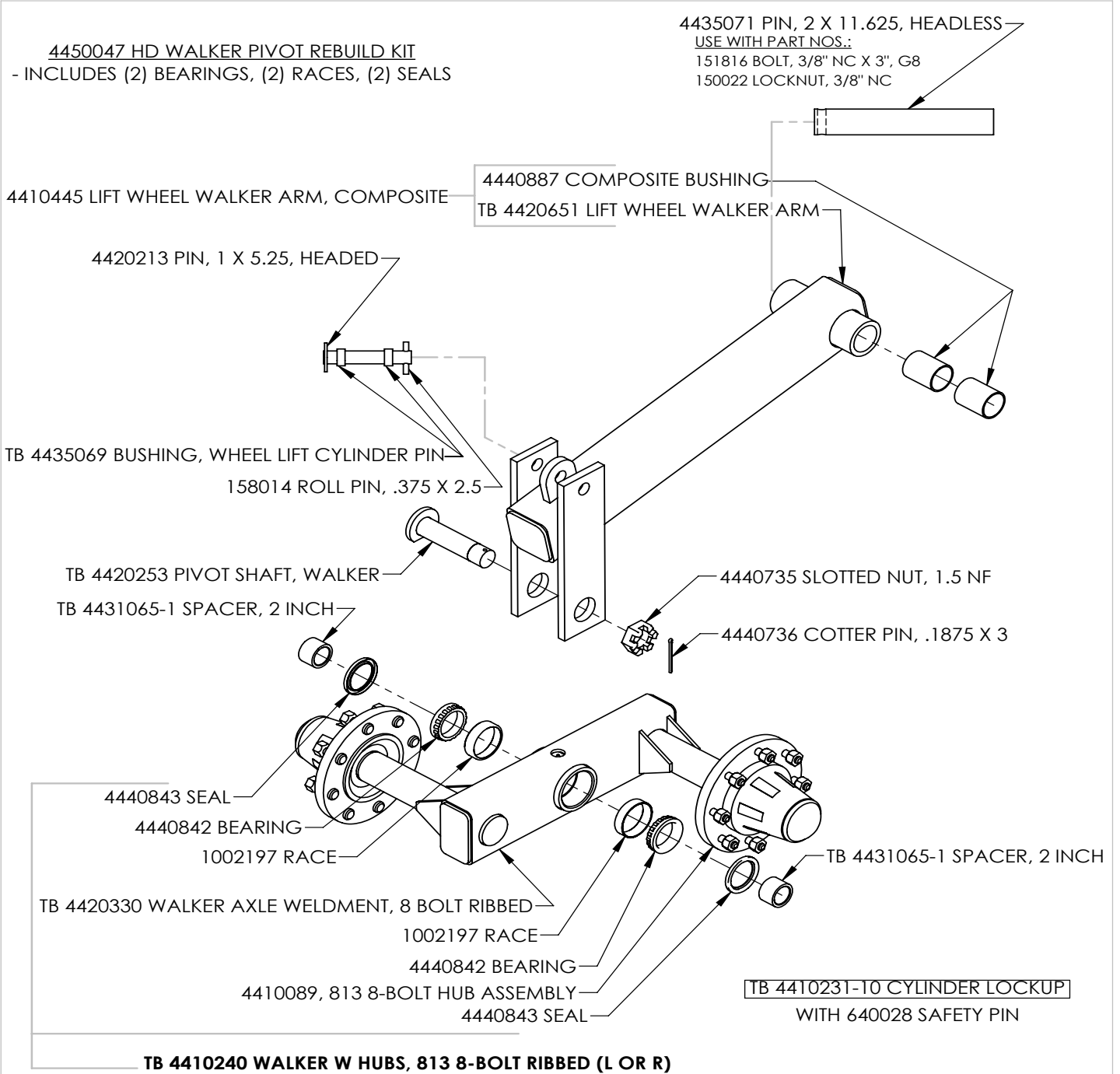
PROPRIETARY AND CONFIDENTIAL
 THE INFORMATION CONTAINED IN THIS DRAWING IS THE SOLE PROPERTY OF DALTON AG. ANY REPRODUCTION IN PART OR AS A WHOLE WITHOUT THE WRITTEN PERMISSION OF DALTON AG IS PROHIBITED.

COMMENTS:

DWG: WALKING AXLE ASSEMBLY

SIZE	SHEET TITLE:	REV
A	Sheet1	A
SCALE: 1:12	SHEET 1 OF 1	

HD WALKING AXLE ASSEMBLY



DRAWN BY	RICH SMOTHERS	11/14/2014
CHECKED BY		
PRINT DATE		11/3/2017
CONFIG.	Default	

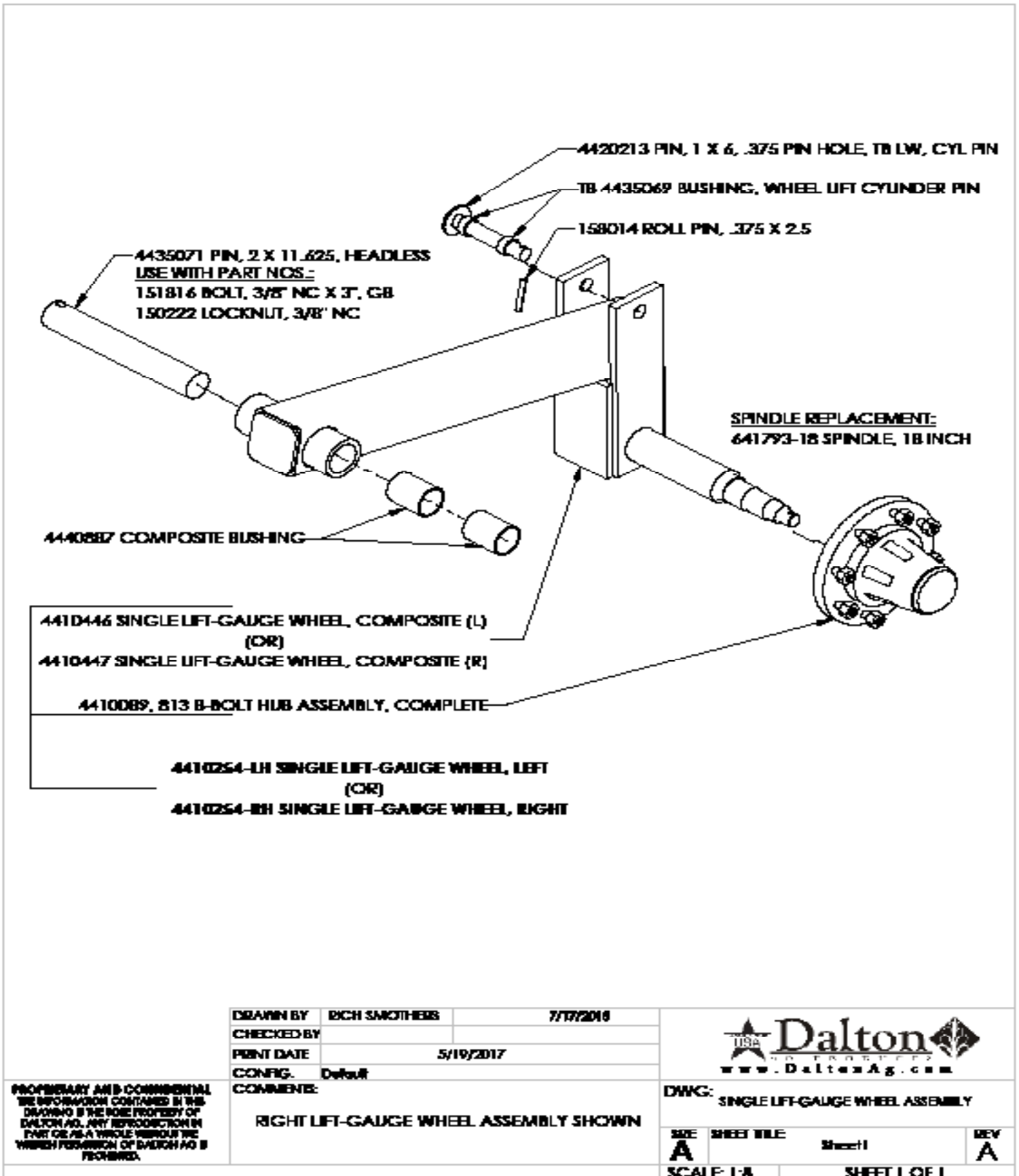


PROPRIETARY AND CONFIDENTIAL
THE INFORMATION CONTAINED IN THIS DRAWING IS THE SOLE PROPERTY OF DALTON AG. ANY REPRODUCTION IN PART OR AS A WHOLE WITHOUT THE WRITTEN PERMISSION OF DALTON AG IS PROHIBITED.

COMMENTS:

DWG: HD WALKING AXLE ASSEMBLY		
SIZE A	SHEET TITLE: Sheet1	REV A
SCALE: 1:10		SHEET 1 OF 1

SINGLE OUTBOARD GAUGE WHEEL ASSEMBLY



DRAWN BY	RICH SMOTHERS	7/17/2016
CHECKED BY		
PRINT DATE	5/19/2017	
CONFIG.	Default	



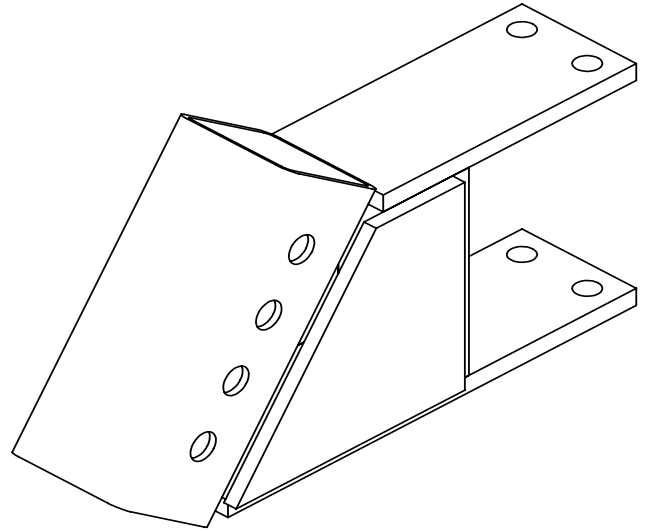
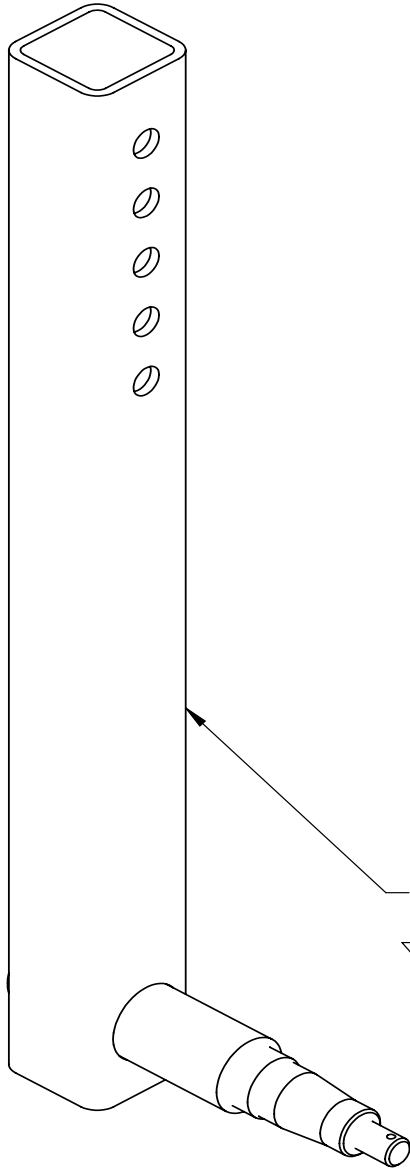
PROPRIETARY AND CONFIDENTIAL
 THE INFORMATION CONTAINED IN THIS
 DRAWING IS THE SOLE PROPERTY OF
 DALTON AG. ANY REPRODUCTION IN
 PART OR AS A WHOLE WITHOUT THE
 WRITTEN PERMISSION OF DALTON AG IS
 PROHIBITED.

COMMENT:
RIGHT LIFT-GAUGE WHEEL ASSEMBLY SHOWN

DWG: SINGLE LIFT-GAUGE WHEEL ASSEMBLY

SIZE	SHEET TITLE	SHEET	REV
A		Sheet 1	A
SCALE: 1:8		SHEET 1 OF 1	

PIN TYPE GAUGE WHEEL



4420589 2 PIN GAUGE WHEEL BRACKET

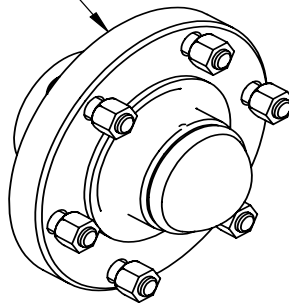
Hardware:

- 2 - PULL RING PIN, .75 x 4.5
- 2 - 152422 BOLT, .625 NC x 8, G5
- 2 - 150222 LOCK WASHER, .625, PLTD
- 2 - 150010 NUT, .625 NC, PLTD

4410271 2 PIN GAUGE WHEEL

— 4420032 INNER TUBE WELDMENT, 2 PIN GAUGE WHEEL

— 4410086 888 6-BOLT HUB ASSEMBLY, COMPLETE



Optional:

- 110118 WHEEL, 15 x 8 x 6 BOLT
- 640461 TIRE, 11L x 15 x 8 PLY

DRAWN BY	RICH SMOTHERS	1/21/2014
CHECKED BY		
PRINT DATE	6/21/2016	
CONFIG.	Default	
COMMENTS:		

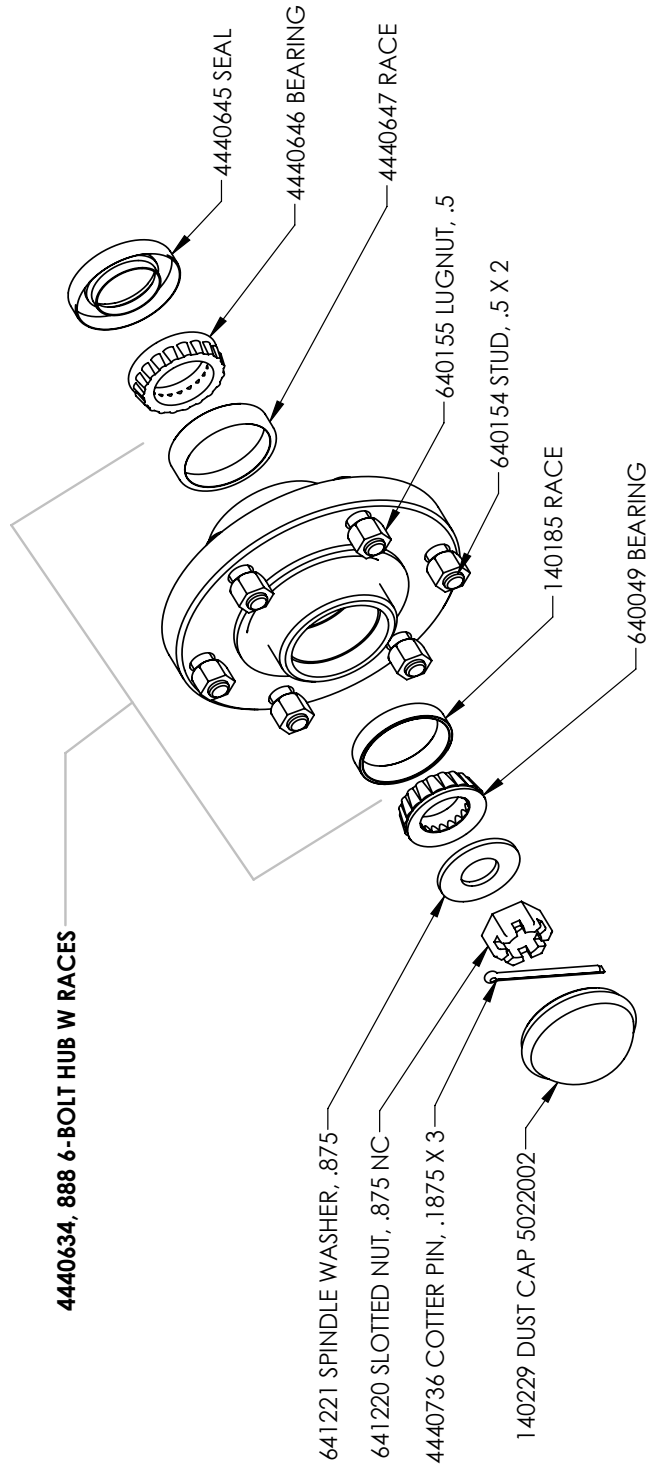


PROPRIETARY AND CONFIDENTIAL
 THE INFORMATION CONTAINED IN THIS DRAWING IS THE SOLE PROPERTY OF DALTON AG. ANY REPRODUCTION IN PART OR AS A WHOLE WITHOUT THE WRITTEN PERMISSION OF DALTON AG IS PROHIBITED.

DWG: 2 PIN GAUGE WHEEL AND BRACKET

SIZE A	SHEET TITLE: Sheet1	REV A
SCALE: 1:4	SHEET 1 OF 1	

4440634, 888 6-BOLT HUB W RACES



4410086 888 6-BOLT HUB ASSEMBLY, COMPLETE

DRAWN BY	RICH SMOTHERS	5/4/2009
CHECKED BY		
PRINT DATE	12/13/2017	
CONFIG.	EXPLODED	
COMMENTS:		

Dalton
 A C P R O D U C T S
 602 E. VAN BUREN ST., LENOX, IA 50851

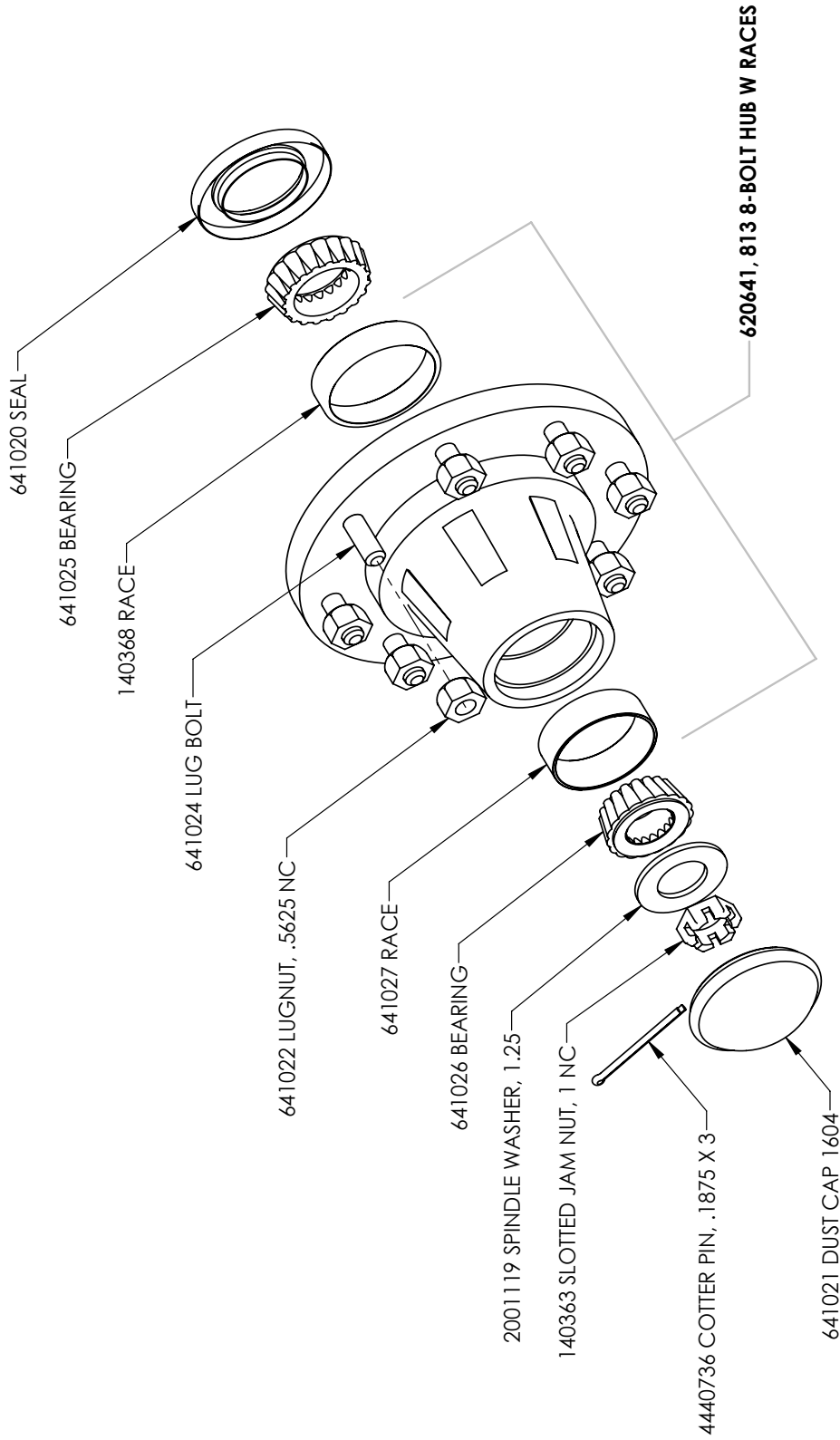
DWG: 4410086 888 6-BOLT HUB ASSEMBLY, COMPLETE

SIZE	A	SHEET TITLE:	Sheet1	REV	A
SCALE:	1:4			SHEET 1 OF 1	

PROPRIETARY AND CONFIDENTIAL
 THE INFORMATION CONTAINED IN THIS DRAWING IS THE SOLE PROPERTY OF DALTON AG. ANY REPRODUCTION IN PART OR AS A WHOLE WITHOUT THE WRITTEN PERMISSION OF DALTON AG IS PROHIBITED.

4410089, 813 8-BOLT HUB ASSEMBLY

4410089, 813 8-BOLT HUB ASSEMBLY, COMPLETE



4410089, 813 8-BOLT HUB ASSEMBLY, COMPLETE

DRAWN BY	RICH SMOTHERS	5/4/2009
CHECKED BY		
PRINT DATE	12/18/2017	
CONFIG.	Default	
COMMENTS:		



DWG: 4410089, 813 8-BOLT HUB ASSEMBLY, COMPLETE

SIZE	A	SHEET TITLE:	Sheet1	REV	A
SCALE:	1:4			SHEET 1 OF 1	

PROPRIETARY AND CONFIDENTIAL
 THE INFORMATION CONTAINED IN THIS DRAWING IS THE SOLE PROPERTY OF CMC-DALTON AG. ANY REPRODUCTION IN PART OR AS A WHOLE WITHOUT THE WRITTEN PERMISSION OF CMC-DALTON AG IS PROHIBITED.

4410171, STANDARD DISC SEALER

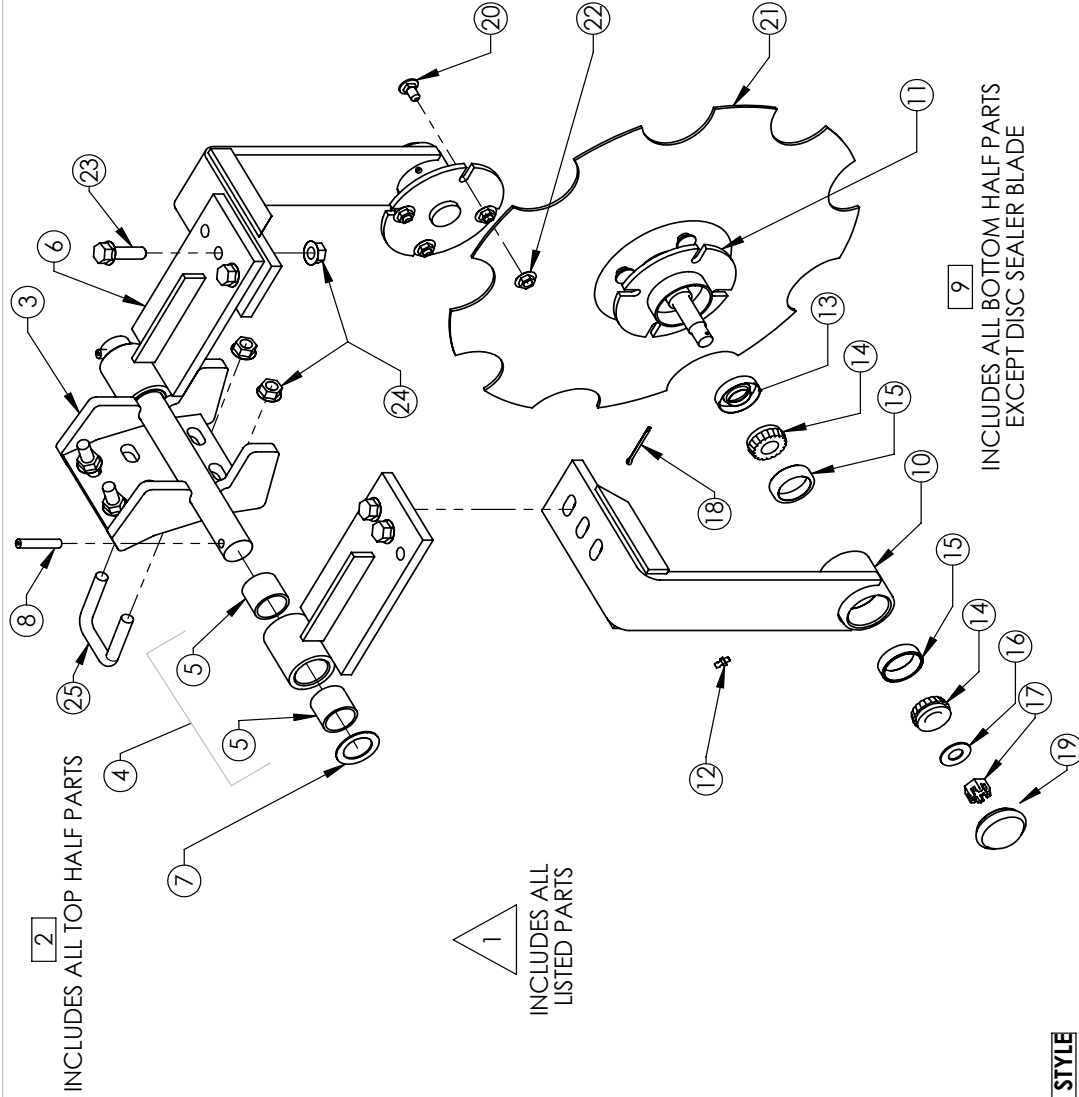
INDEPENDENT STYLE

#	PART NUMBER	QTY.
1	4410171 INDEPENDENT STYLE Δ	1
2	4410174 UPPER MOUNTING BRACKET □	1
3	DS 4420271 SHANK MOUNTING BRACKET	1
4	DS 4410256 PIVOT ARM W BUSHING, LH	1
5	4440857 BUSHING, COMPOSITE	2
6	DS 4410255 PIVOT ARM W BUSHING, RH	1
7	150251 FLAT WASHER, 1.25 ID x 1.875 OD	2
8	101689 SPRING PIN .375x2	2
9	4420277 HUB ASSEMBLY, STD □	2
10	DS 4420273 HUB BRACKET, STD, WELDMENT	1
11	DS 4420201 SPINDLE HUB, STD, WELDMENT	1
12	151222 GREASE ZERK, .25 SELF TAPPING	1
13	4440704 SEAL	1
14	4440702 BEARING	2
15	4440703 RACE	2
16	150224 FLAT WASHER, .625	1
17	4440737 SLOTTED NUT,	1
18	150406 COTTER PIN, .125 x 2	1
19	QDS909923 DUST CAP, 1.75	1
20	151835 CARRIAGE BOLT .375x.75 NC PLTD	8
21	DS 4440785 BLADE, 18 INCH NOTCHED	2
22	158005 FLANGE NUT, .375 NC	8
23	158006 FLANGE BOLT, .5 NC x 1.75, G5	4
24	158007 FLANGE NUT, .5 NC	8
25	4440788 U-BOLT, 2 x 2.5 x .5 NC, SQUARE HEAD	2

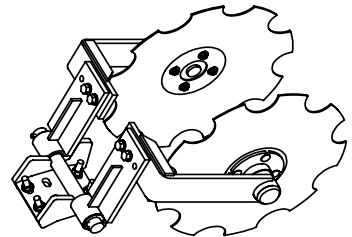
ALL QUANTITIES ARE PER ROW UNIT

4450048 - STANDARD DISC SEALER REBUILD KIT
 -INCLUDES (2) BEARINGS, (2) RACES, AND (1) SEAL

4410171 INDEPENDENT STYLE



DRAWN BY	RICH SMOTHERS	10/21/2013		INDEPENDENT STYLE	REV	A
CHECKED BY			602 E. VAN BUREN ST., LENOX, IA 50851		SIZE	A
PRINT DATE	6/28/2016				SHEET TITLE:	B.O.M.
CONFIG.	EXP VIEW			DWG:	SCALE:	1:7
COMMENTS:			4410171 INDEPENDENT STYLE			
<p>PROPRIETARY AND CONFIDENTIAL THE INFORMATION CONTAINED IN THIS DRAWING IS THE SOLE PROPERTY OF DALTON A.G. ANY REPRODUCTION IN PART OR AS A WHOLE WITHOUT THE WRITTEN PERMISSION OF DALTON A.G IS PROHIBITED.</p>			SHEET 1 OF 1			



4410171 OS, STANDARD DISC SEALER WITH OFFSET ARMS

OS INDEPENDENT STYLE WITH OFFSET ARMS

#	PART NUMBER	Q.
1	4410171 OS INDEPENDENT STYLE WITH OFFSET ARMS	△
2	DS 4410174 OS UPPER MOUNTING BRACKET, OFFSET	□
3	DS 4420271 SHANK MOUNTING BRACKET	1
4	DS 4410256 PIVOT ARM W BUSHING, LH	1
5	4440857 BUSHING, COMPOSITE	2
6	150251 FLAT WASHER, 1.25 ID x 1.875 OD	2
7	101689 SPRING PIN, .375x2	2
8	DS 4410303 PIVOT ARM, LONG, RH	1
9	4420277 HUB ASSEMBLY, STD. □	2
10	DS 4420273 HUB BRACKET, STD. WELDMENT	1
11	DS 4420201 SPINDLE HUB, STD. WELDMENT	1
12	151222 GREASE ZERK, .25 SELF TAPPING	1
13	4440704 SEAL	1
14	4440702 BEARING	2
15	4440703 RACE	2
16	150224 FLAT WASHER, .625	1
17	4440737 SLOTTED NUT,	1
18	150406 COTTER PIN, .125 x 2	1
19	QDS909923 DUST CAP, 1.75	1
20	151835 CARRIAGE BOLT, .375x.75 NC PLTD	8
21	DS 4440785 BLADE, 18 INCH NOTCHED	2
16	158005 FLANGE NUT, .375 NC	8
23	158006 FLANGE BOLT, .5 NC x 1.75, G5	4
24	158007 FLANGE NUT, .5 NC	8
25	4440788 U-BOLT, 2 x 2.5 x .5 NC, SQUARE HEAD	2

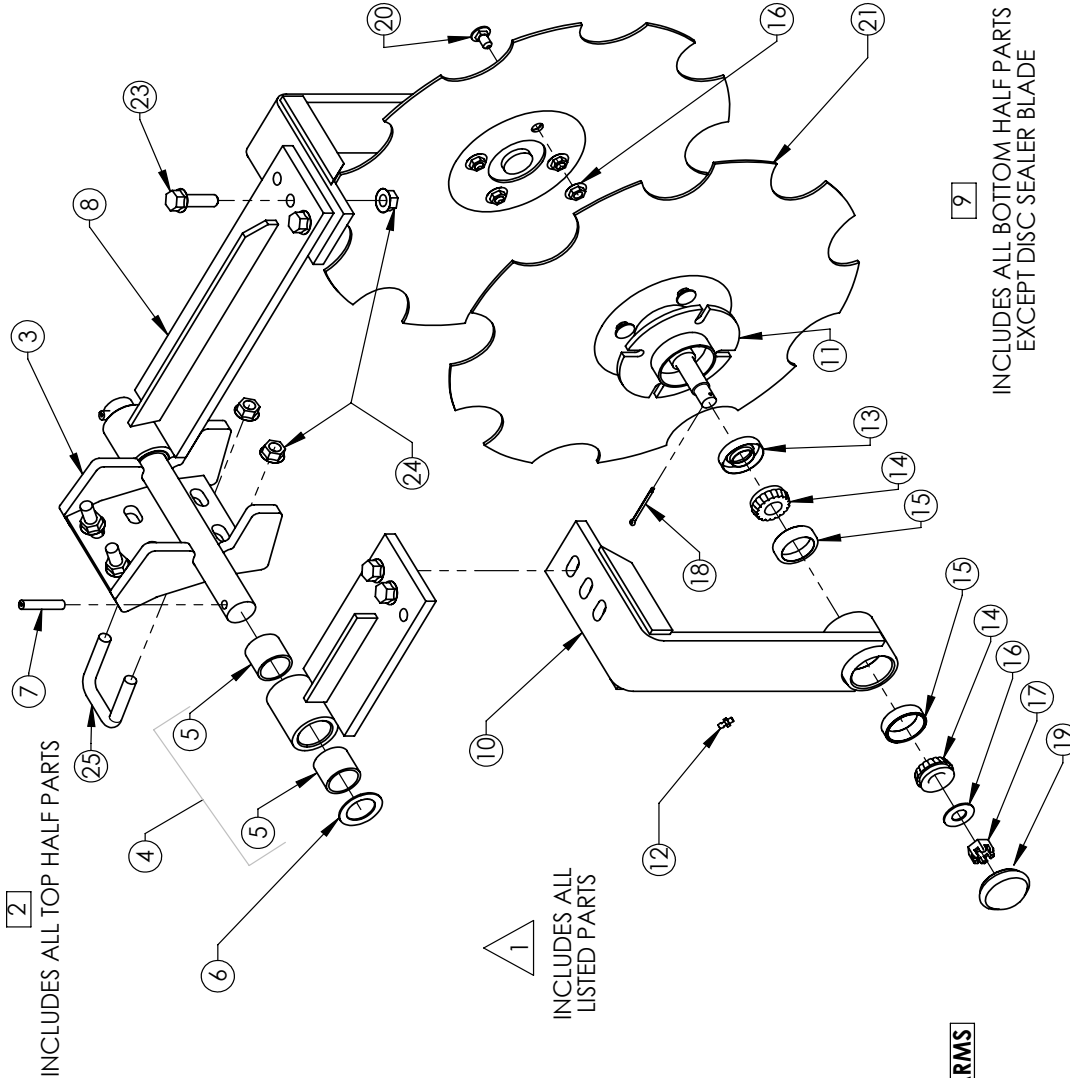
ALL QUANTITIES ARE PER ROW UNIT

**** TO REVERSE OFFSET ****

**USE 4410304 PIVOT ARM, LONG, LH AND
4410255 PIVOT ARM W BUSHING, RH**

**4450048 - STANDARD DISC SEALER REBUILD KIT
-INCLUDES (2) BEARINGS, (2) RACES, AND (1) SEAL**

4410171 OS INDEPENDENT STYLE WITH OFFSET ARMS

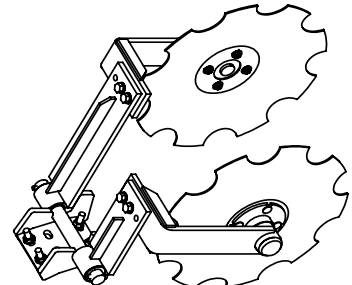


INCLUDES ALL BOTTOM HALF PARTS
EXCEPT DISC SEALER BLADE

DRAWN BY	RICH SMOTHERS	10/21/2013
CHECKED BY		
PRINT DATE	6/28/2016	
CONFIG.	EXP VIEW	
COMMENTS:	4410171 OS INDEPENDENT STYLE WITH OFFSET ARMS	

PROPRIETARY AND CONFIDENTIAL
THE INFORMATION CONTAINED IN THIS DRAWING IS THE SOLE PROPERTY OF DALTON A.G. ANY REPRODUCTION IN PART OR AS A WHOLE WITHOUT THE WRITTEN PERMISSION OF DALTON A.G IS PROHIBITED.

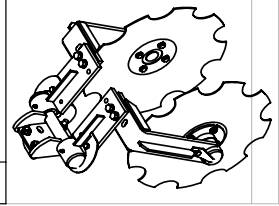
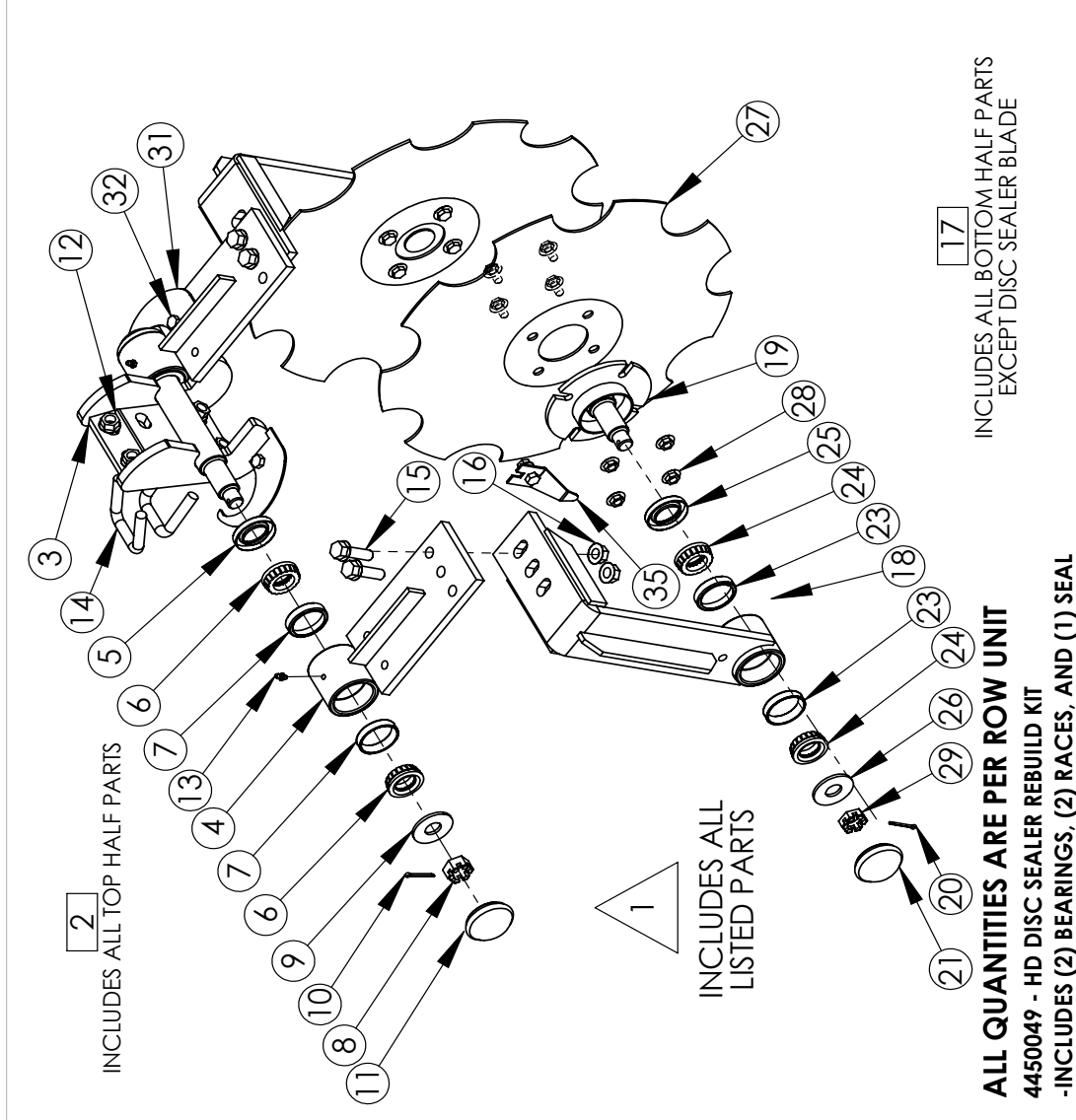
Dalton USA 602 E. VAN BUREN ST., LENOX, IA 50851	
DWG:	OS INDEPENDENT STYLE WITH OFFSET ARMS
SIZE	SHEET TITLE: B.O.M.
REV	A
SCALE:	1:7
SHEET 1 OF 1	



4410223, HEAVY DUTY DISC SEALER

HD DISC SEALER

#	PART NUMBER	Q
1	4410223 HD DISC SEALER Δ	1
2	4420310 HD UPPER MOUNTING ASSEMBLY □	1
3	DS 4420302 UPPER MOUNTING BRACKET, HD, WELDMENT	1
4	DS 4420303 PIVOT ARM, HD	2
5	4440815 SEAL	2
6	4440816 BEARING	4
7	4440817 RACE	4
8	158003 SLOTTED NUT, .75 NC	2
9	158012 SPINDLE WASHER, SAE .75	2
10	150409 COITER PIN, .125 x 1.5, PLAIN	2
11	4440814 DUST CAP, 2 INCH	2
12	158007 FLANGE NUT, .5 NC	4
13	151222 GREASE ZERK, .25 SELF TAPPING	2
14	4440788 U-BOLT, 2 x 2.5 x .5 NC, SQUARE HEAD	2
15	158006 FLANGE BOLT, .5 NC x 1.75, G5	4
16	158007 FLANGE NUT, .5 NC	4
17	4420309 HD HUB ASSEMBLY □	1
18	DS 4420304 HUB BRACKET, WELDMENT, HD	1
19	DS 4420305 SPINDLE HUB, HD, WELDMENT	1
20	150409 COITER PIN, .125 x 1.5, PLAIN	1
21	4440814 DUST CAP, 2 INCH	1
22	151222 GREASE ZERK, .25 SELF TAPPING	1
23	4440817 RACE	2
24	4440816 BEARING	2
25	4440815 SEAL	1
26	158012 SPINDLE WASHER, SAE .75	1
27	DS 4440785 BLADE, 18 INCH NOTCHED	1
28	158005 FLANGE NUT, .375 NC	4
29	158002 SLOTTED NUT, .75 NC THIN	1
30	158004 FLANGE BOLT, .375 NC x .75, G5	4
31	4435859 HD CAP RETAINER	2
32	151802 BOLT, .375 NC x 1, PLTD	4
33	150210 LOCK WASHER, .375	4
34	150005 NUT, .375 NC, PLTD	4
35	4435850 RETAINER, DUST CAP	2



4410223 HD DISC SEALER

PROPRIETARY AND CONFIDENTIAL
 THE INFORMATION CONTAINED IN THIS DRAWING IS THE SOLE PROPERTY OF DALTON A.G. ANY REPRODUCTION IN PART OR AS A WHOLE WITHOUT THE WRITTEN PERMISSION OF DALTON A.G. IS PROHIBITED.

DRAWN BY	RICH SMOTHERS	4/28/2009
CHECKED BY		
PRINT DATE	2/27/2017	
CONFIG.	EXPLODED	
COMMENTS:		
4410223 HD DISC SEALER		
DWG:	HD DISC SEALER	
SIZE	A	ASSEMBLY
SHEET TITLE:		REV
SCALE:	1:8	SHEET 1 OF 1



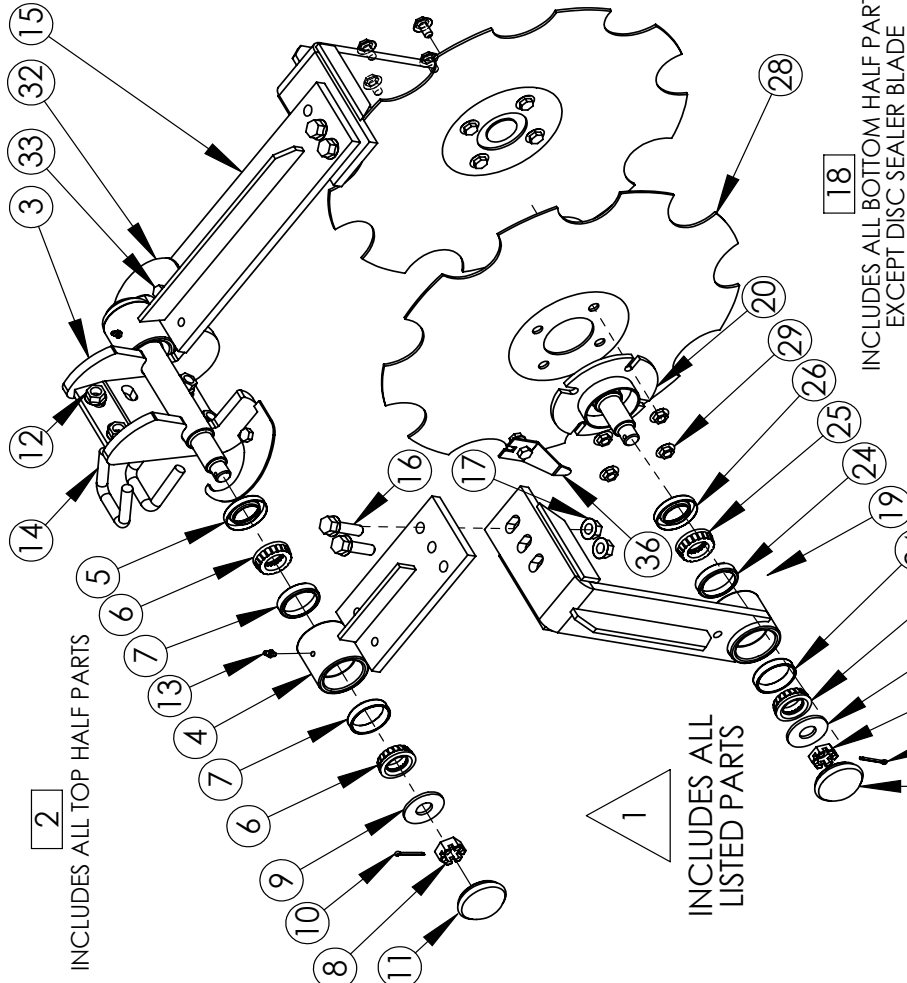
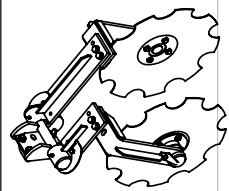
4410223 OS, HEAVY DUTY DISC SEALER WITH OFFSET ARMS

OS HD DISC SEALER WITH OFFSET ARMS

#	PART NUMBER	Q
1	4410223 OS HD DISC SEALER WITH OFFSET ARMS Δ	1
2	4420310 OS HD UPPER MOUNTING ASSEMBLY □	1
3	DS 4420302 UPPER MOUNTING BRACKET, HD, WELDMENT	1
4	DS 4420303 PIVOT ARM, HD	1
5	4440815 SEAL	2
6	4440816 BEARING	4
7	4440817 RACE	4
8	158003 SLOTTED NUT, .75 NC	2
9	158012 SPINDLE WASHER, SAE .75	2
10	150409 COTTER PIN, .125 x 1.5, PLAIN	2
11	4440814 DUST CAP, 2 INCH	2
12	158007 FLANGE NUT, .5 NC	4
13	151222 GREASE ZERK, .25 SELF TAPPING	2
14	4440788 U-BOLT, 2 x 2.5 x .5 NC, SQUARE HEAD	2
15	4420581 PIVOT ARM, HD, LONG	1
16	158006 FLANGE BOLT, .5 NC x 1.75, G5	4
17	158007 FLANGE NUT, .5 NC	4
18	4420309 HD HUB ASSEMBLY □	2
19	DS 4420304 HUB BRACKET, WELDMENT, HD	1
20	DS 4420305 SPINDLE HUB, HD, WELDMENT	1
21	150409 COTTER PIN, .125 x 1.5, PLAIN	1
22	4440814 DUST CAP, 2 INCH	1
23	151222 GREASE ZERK, .25 SELF TAPPING	1
24	4440817 RACE	2
25	4440816 BEARING	2
26	4440815 SEAL	1
27	158012 SPINDLE WASHER, SAE .75	1
28	DS 4440785 BLADE, 18 INCH NOTCHED	1
29	158005 FLANGE NUT, .375 NC	4
30	158002 SLOTTED NUT, .75 NC THIN	1
31	158004 FLANGE BOLT, .375 NC x .75, G5	4
32	4435859 HD CAP RETAINER	2
33	151802 BOLT, .375 NC x 1, PLTD	4
34	150210 LOCK WASHER, .375	4
35	150005 NUT, .375 NC, PLTD	4
36	4435850 RETAINER, DUST CAP	2

4410223 OS HD DISC SEALER WITH OFFSET ARMS

PROPRIETARY AND CONFIDENTIAL
THE INFORMATION CONTAINED IN THIS DRAWING IS THE SOLE PROPERTY OF DALTON A.G. ANY REPRODUCTION IN PART OR AS A WHOLE WITHOUT THE WRITTEN PERMISSION OF DALTON A.G. IS PROHIBITED.



**** TO REVERSE OFFSET, **
SWITCH 4420581 HD PIVOT ARM, LONG (15) AND
4420303 HD PIVOT ARM (4) TO OPPOSITE SIDES**

INCLUDES ALL TOP HALF PARTS (2)

INCLUDES ALL LISTED PARTS (1)

INCLUDES ALL BOTTOM HALF PARTS EXCEPT DISC SEALER BLADE (18)

**ALL QUANTITIES ARE PER ROW UNIT
4450049 - HD DISC SEALER REBUILD KIT
-INCLUDES (2) BEARINGS, (2) RACES, AND (1) SEAL**

DRAWN BY RICH SMOTHERS	4/28/2009		DWG: OS HD DISC SEALER WITH OFFSET ARMS
CHECKED BY		602 E. VAN BUREN ST., LENOX, IA 50851	
PRINT DATE 2/27/2017			
CONFIG. EXPLODED			
COMMENTS:			
4410223 OS HD DISC SEALER WITH OFFSET ARMS			
		SIZE A	REV A
		SHEET TITLE: ASSEMBLY	REV A
		SCALE: 1:8	SHEET 1 OF 1

4410185, STANDARD SIDE DRESS DISC SEALER WITH 14.5 INCH ARMS

INDEPENDENT STYLE W 14.5 INCH ARM

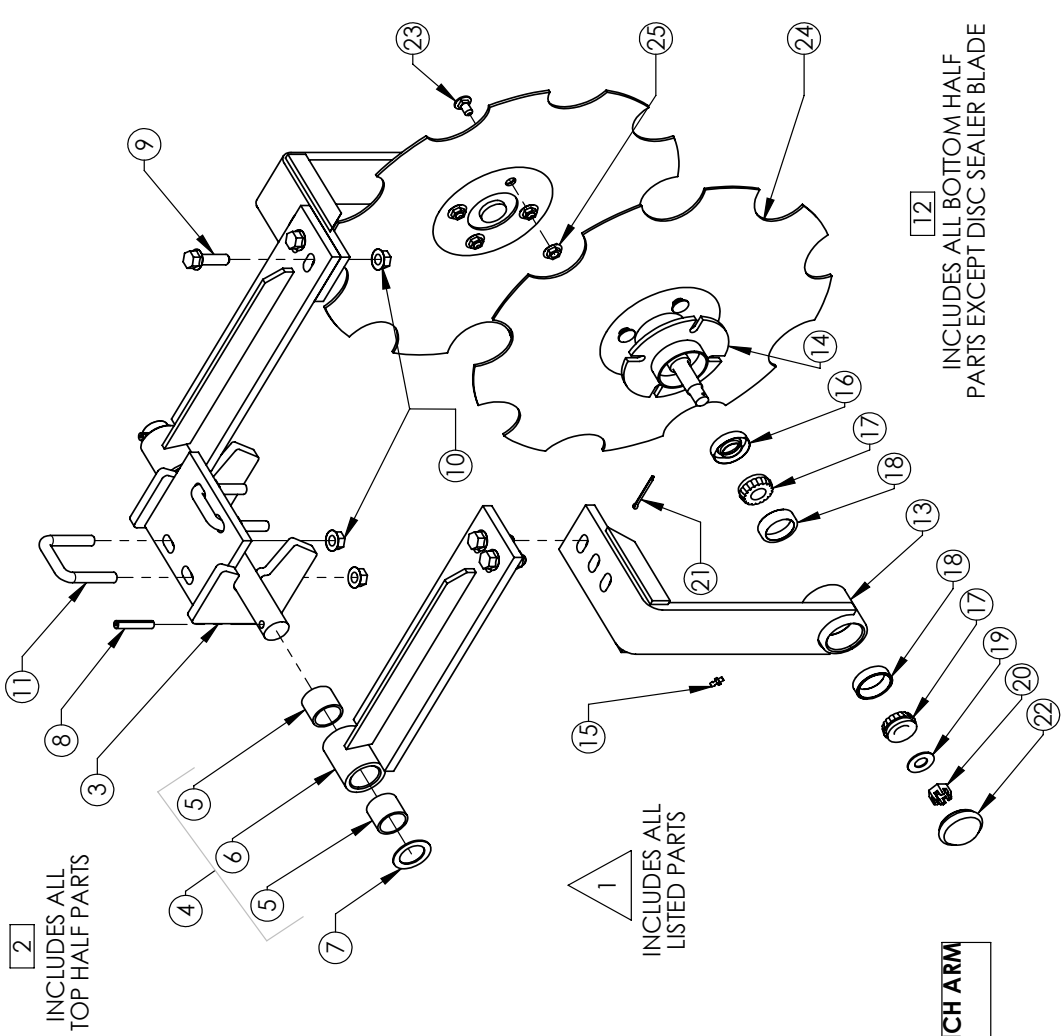
#	PART NUMBER	Q
1	4410185 INDEPENDENT STYLE W 14.5 INCH ARM	1
2	4410195 UPPER MOUNTING BRACKET ASSEMBLY	1
3	DS 4420287 UPPER MOUNTING BRACKET, LONG ARM FLOPPY, WELDMENT	1
4	DS 4410259 PIVOT ARM, LONG	2
5	4440857 BUSHING, COMPOSITE	2
6	DS 4420288 PIVOT ARM, 14.5 INCH	2
7	150251 FLAT WASHER, 1.25 ID x 1.875 OD	2
8	101689 SPRING PIN, .375x2	2
9	158006 FLANGE BOLT, .5 NC x 1.75, G5	4
10	158007 FLANGE NUT, .5 NC	8
11	4440788 U-BOLT 2 X 2.5 X .5 NC, SQUARE HEAD	2
12	4420277 HUB ASSEMBLY, STD	2
13	DS 4420273 HUB BRACKET, STD, WELDMENT	1
14	DS 4420201 SPINDLE HUB, STD, WELDMENT	1
15	151222 GREASE ZERK, .25 SELF TAPPING	1
16	4440704 SEAL	1
17	4440702 BEARING	2
18	4440703 RACE	2
19	150224 FLAT WASHER, .625	1
20	4440737 SLOTTED NUT	1
21	150406 COTTER PIN, 1.25 x 2	1
22	GDS909923 DUST CAP, 1.75	1
23	151835 CARRIAGE BOLT, 3.75x.75 NC PLTD	8
24	DS 4440785 BLADE, 18 INCH NOTCHED	2
25	158005 FLANGE NUT, .375 NC	8

ALL QUANTITIES ARE PER ROW UNIT

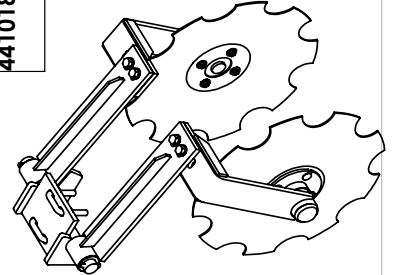
**4450048 - STANDARD DISC SEALER REBUILD KIT
-INCLUDES (2) BEARINGS, (2) RACES, AND (1) SEAL**

**4410185 INDEPENDENT STYLE W 14.5 INCH ARM
INCLUDES ALL ITEMS**

PROPRIETARY AND CONFIDENTIAL
THE INFORMATION CONTAINED IN THIS DRAWING IS THE SOLE PROPERTY OF DALTON A.G. ANY REPRODUCTION IN PART OR AS A WHOLE WITHOUT THE WRITTEN PERMISSION OF DALTON A.G IS PROHIBITED.



DRAWN BY	RICH SMOTHERS	10/21/2013
CHECKED BY		
PRINT DATE	8/25/2016	
CONFIG.	EXP VIEW	
COMMENTS:	4410185 INDEPENDENT STYLE W 14.5 INCH ARM	
DWG:	INDEPENDENT STYLE W 14.5 INCH ARM	
SIZE	A	REV A
SHEET TITLE:	B.O.M.	REV A
SCALE:	1:8	SHEET 1 OF 1



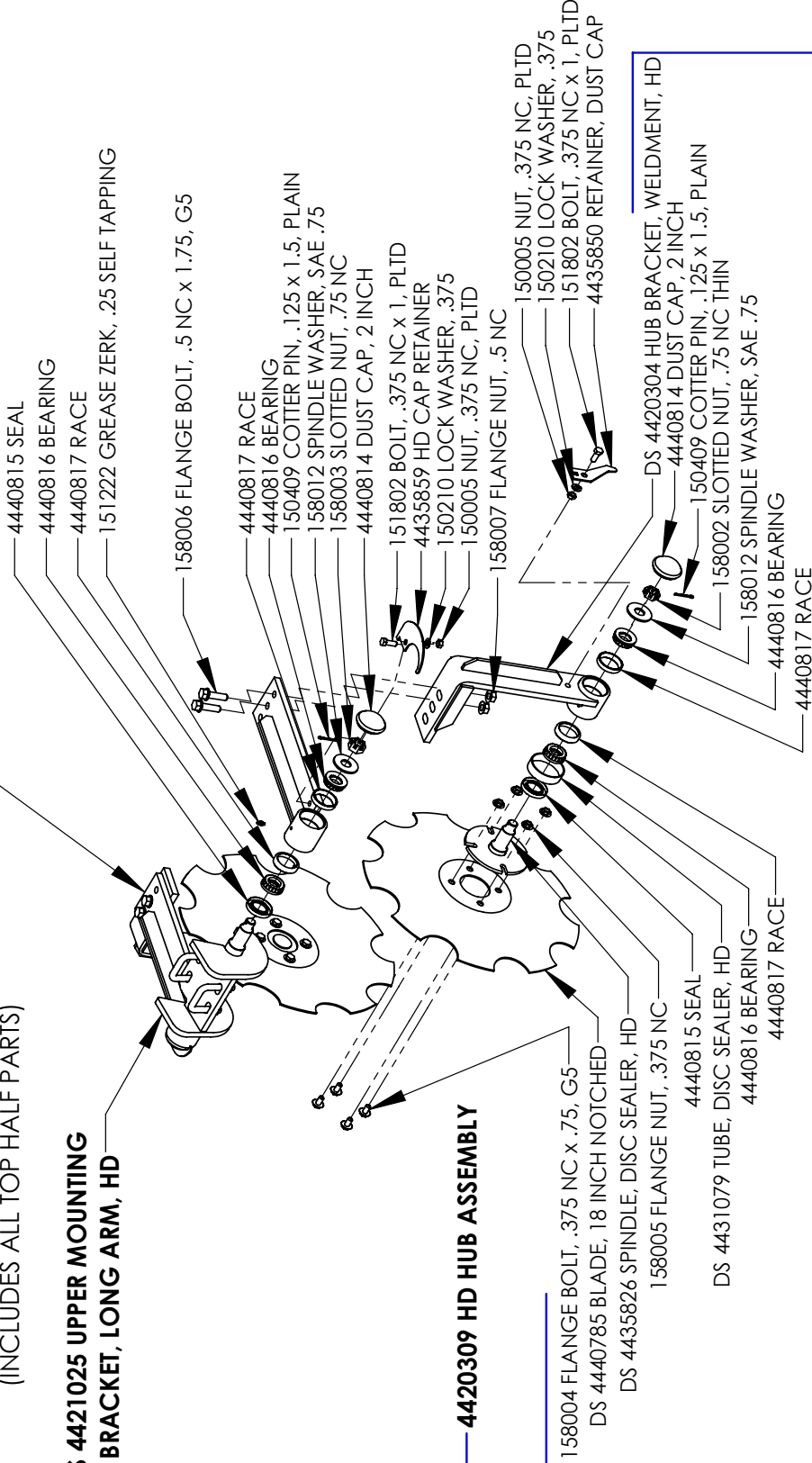
HD DISC SEALER WITH 14.5 INCH ARM

HD DISC SEALER W 14.5 INCH ARM

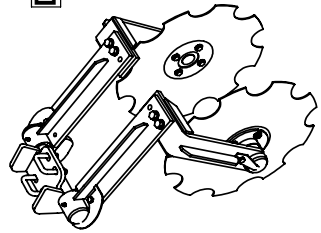
DS 4410496 SIDE DRESS UPPER MOUNTING BRACKET, HD
(INCLUDES ALL TOP HALF PARTS)

DS 4421025 UPPER MOUNTING BRACKET, LONG ARM, HD

4420581 PIVOT ARM, HD, LONG



4420309 HD HUB ASSEMBLY



DS 4410451 SIDE DRESS DISC SEALER 14.5 INCH ARM, HD

4450049 - HD DISC SEALER REBUILD KIT
-INCLUDES (2) BEARINGS, (2) RACES, AND (1) SEAL

DRAWN BY	RICH SMOTHERS	7/11/2016
CHECKED BY		
PRINT DATE	3/2/2017	
CONFIG.	Default	
COMMENTS:		



DWG: HD DISC SEALER W 14.5 INCH ARM

PROPRIETARY AND CONFIDENTIAL
THE INFORMATION CONTAINED IN THIS DRAWING IS THE SOLE PROPERTY OF DALTON A.G. ANY REPRODUCTION IN PART OR AS A WHOLE WITHOUT THE WRITTEN PERMISSION OF DALTON A.G. IS PROHIBITED.

SIZE	A	ASSEMBLY	REV	A
SHEET TITLE:	HD DISC SEALER W 14.5 INCH ARM			
SCALE:	1:12		SHEET 1 OF 1	

5

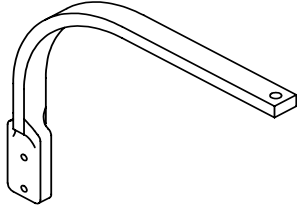
4

3

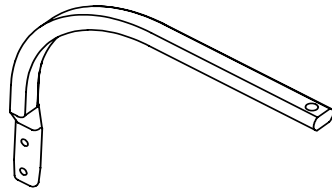
2

1

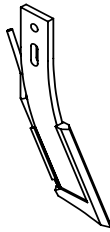
STANDARD SHANKS AND KNIVES



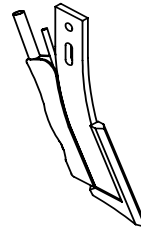
4440498 SHANK, 1 x 2



4440895 SHANK, 1.25 x 2



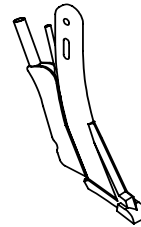
4440779 KNIFE, STANDARD W (1) .375 TUBE



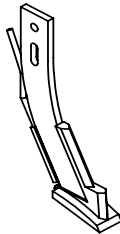
4440795 KNIFE, STANDARD W (1) .375 TUBE, (1) .75 TUBE



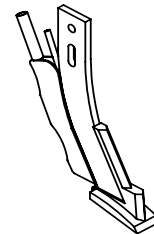
4440890 KNIFE, MINI MOLE W (1) .375 TUBE



4420660 KNIFE, MINI MOLE W (1) .375 TUBE, (1) .75 TUBE



4440781 KNIFE, MOLE W (1) .375 TUBE



4440794 KNIFE, MOLE W (1) .375 TUBE, (1) .75 TUBE

DRAWN BY	RICH SMOTHERS	8/4/2008
CHECKED BY		
PRINT DATE	2/17/2017	
CONFIG.	Default	
COMMENTS:		



DWG: STANDARD SHANKS AND KNIVES

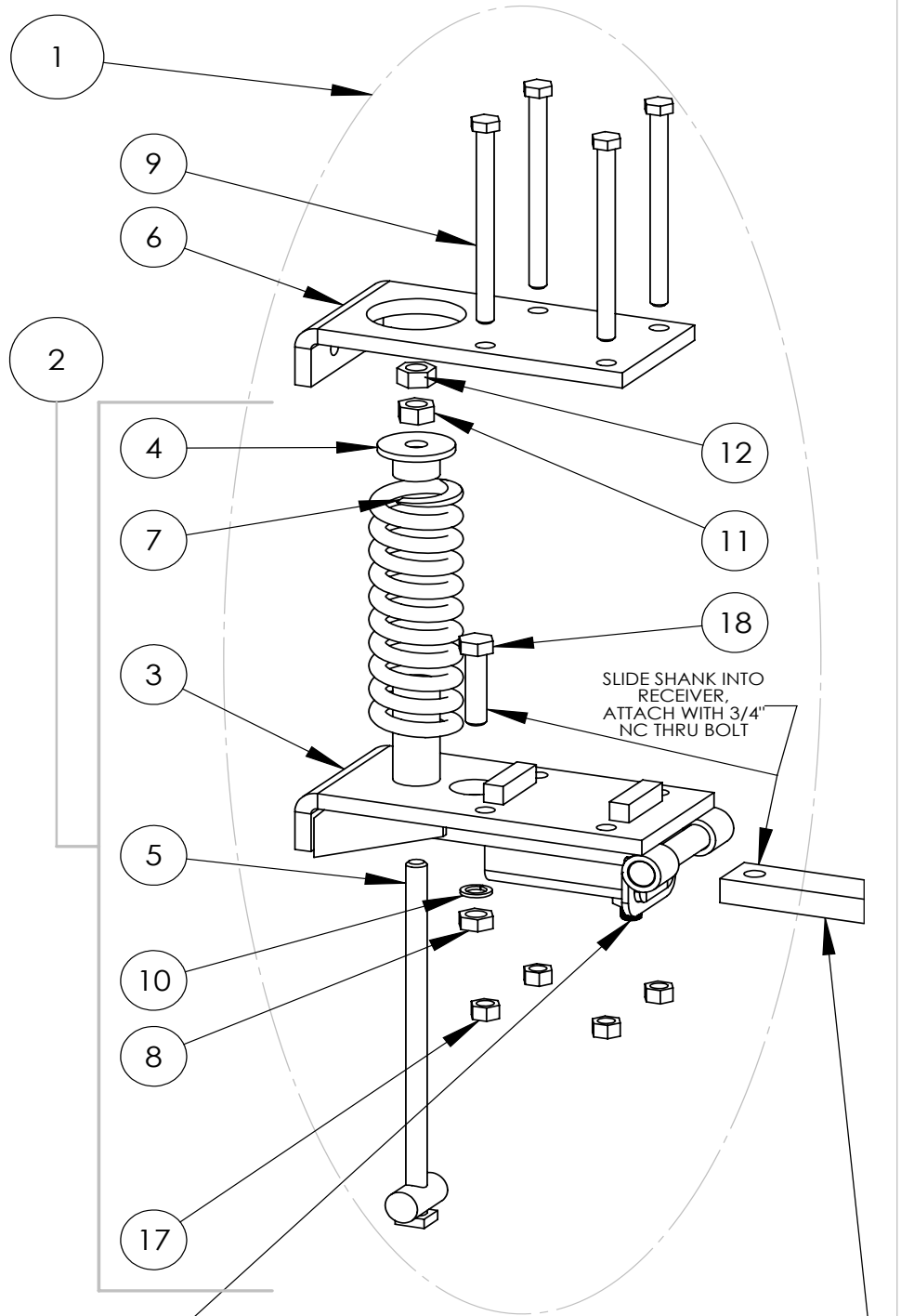
PROPRIETARY AND CONFIDENTIAL
THE INFORMATION CONTAINED IN THIS DRAWING IS THE SOLE PROPERTY OF DALTON AG. ANY REPRODUCTION IN PART OR AS A WHOLE WITHOUT THE WRITTEN PERMISSION OF DALTON AG IS PROHIBITED.

SIZE	SHEET TITLE:	Sheet1	REV
A			A
SCALE: 1:12	SHEET 1 OF 1		

FOR PARTS, CALL 1.800.342.7498

S1264SL, SPRING LOADED SHANK CLAMP, 4X6

#	PART NUMBER	QTY.
1	S1264SL COMPLETE SPRING LOADED SHANK CLAMP	1
2	4410218 S1264SL W/O TOP BRACKET AND BOLTS	1
3	SLSC 4420281 SHANK PIVOT	1
4	SLSC 4420280 SPRING GUIDE CAP	1
5	SLSC 4420282 SPRING BOLT WELDMENT	1
6	SLSC 4431072 TOP BRACKET	1
7	SLSC 641480 SPRING	1
8	150013 NUT, .75 NC	1
9	152422 BOLT, .625 NC x 8, G5	4
10	150226 LOCK WASHER, .75, PLTD	1
11	158000 NUT, .75 NF	1
12	158001 JAM NUT, .75 NF	1
17	1500TT NUT, .625 NC, LOCKING, PLTD	4
18	4441060 BOLT, .75 NC x 3, GR 8	1



4440975 .75 NC X 1.5 SET SCREW

SHANK NOT INCLUDED

DRAWN BY	RICH SMOTHERS	4/9/2009
CHECKED BY		
PRINT DATE	12/14/2017	
CONFIG.	EXPLODED	
COMMENTS:		



PROPRIETARY AND CONFIDENTIAL
THE INFORMATION CONTAINED IN THIS DRAWING IS THE SOLE PROPERTY OF DALTON AG. ANY REPRODUCTION IN PART OR AS A WHOLE WITHOUT THE WRITTEN PERMISSION OF DALTON AG IS PROHIBITED.

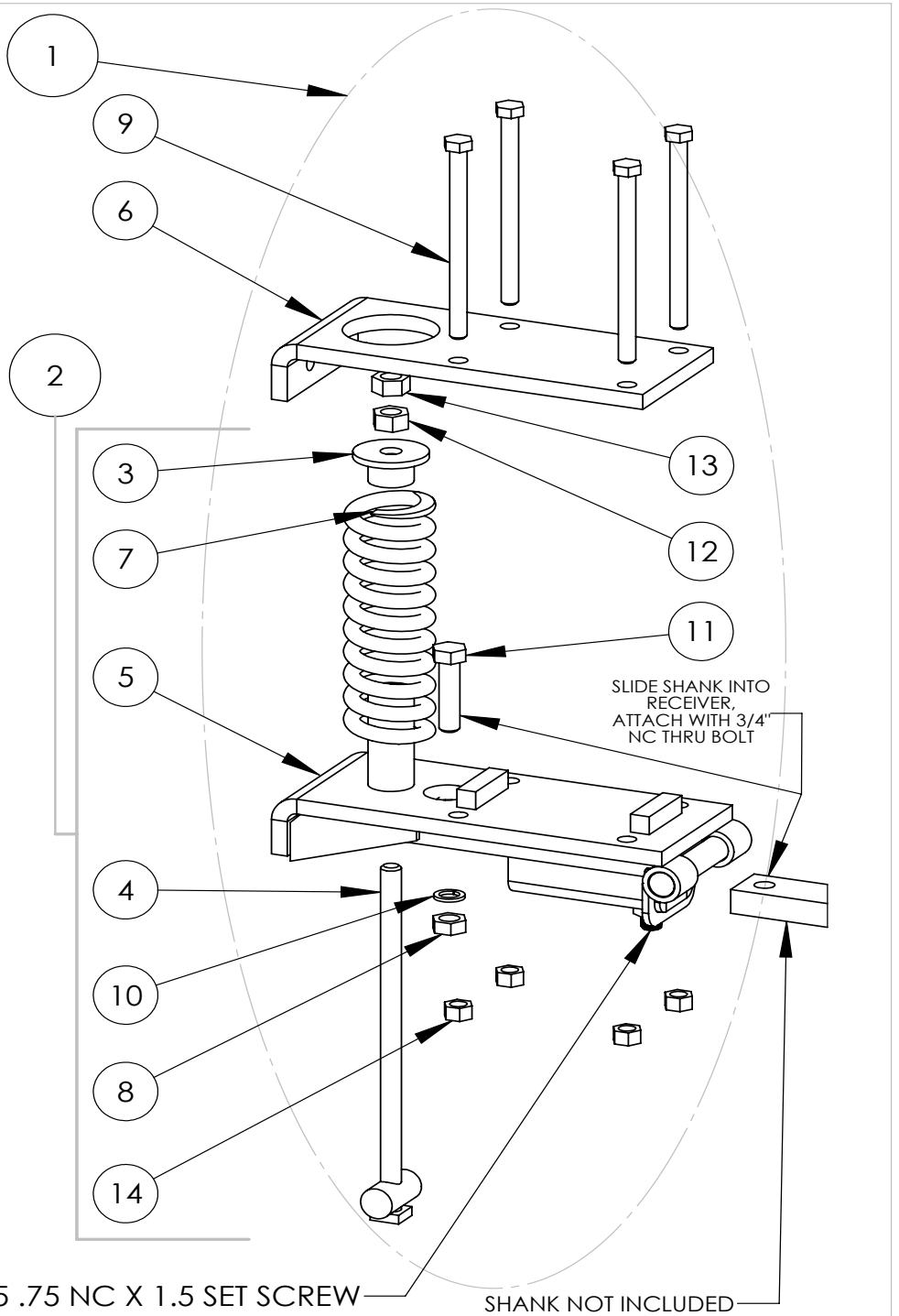
S1264SL-SPRING LOADED SHANK CLAMP

DWG: SLSC S1264SL-SPRING LOADED SHANK CLAMP

SIZE	SHEET TITLE:	REV
A	COMPLETE UNIT EXPLODED	A
SCALE: 1:6	SHEET 1 OF 1	

S1266SL, SPRING LOADED SHANK CLAMP, 6X6

#	PART NUMBER	QTY.
1	S1266SL SPRING LOADED SHANK CLAMP	1
2	4410246 S1266SL W/O TOP BRACKET AND BOLTS	1
3	SLSC 4420280 SPRING GUIDE CAP	1
4	SLSC 4420282 SPRING BOLT WELDMENT	1
5	SLSC 4420466 SHANK PIVOT, 6x6	1
6	SLSC 4435829 TOP BRACKET 6X6	1
7	SLSC 641480 SPRING	1
8	150013 NUT, .75 NC	1
9	152422 BOLT, .625 NC x 8, G5	4
10	150226 LOCK WASHER, .75, PLTD	1
11	4441060 BOLT, .75 NC x 3, GR 8	1
12	158000 NUT, .75 NF	1
13	158001 JAM NUT, .75 NF	1
14	150011 NUT, .625 NC, LOCKING, PLTD	4



4440975 .75 NC X 1.5 SET SCREW

SHANK NOT INCLUDED

DRAWN BY	RICH SMOTHERS	4/9/2009
CHECKED BY		
PRINT DATE	12/14/2017	
CONFIG.	EXPLODED	
COMMENTS:	S1266SL-SPRING LOADED SHANK CLAMP, 6x6	

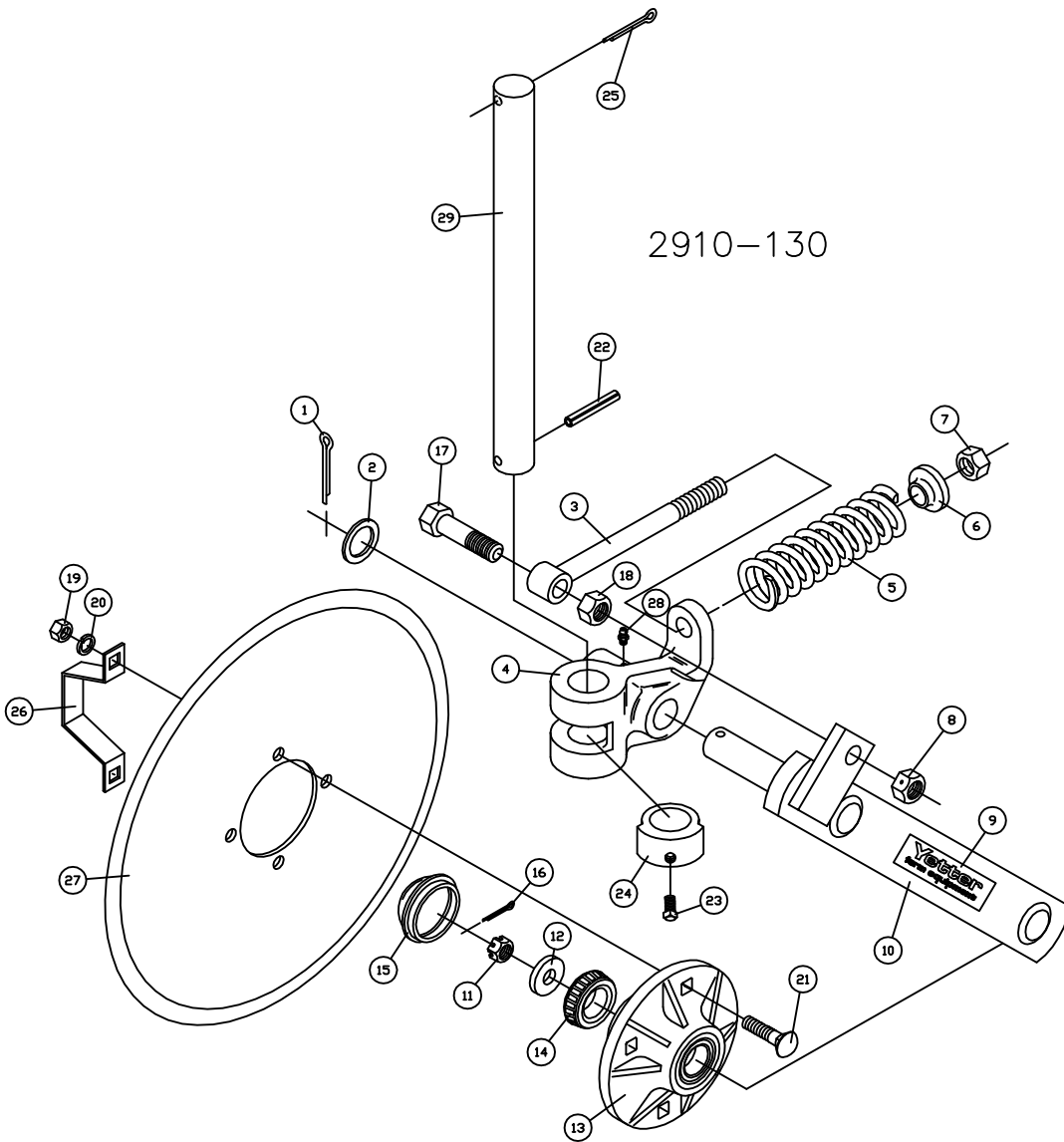


DWG: SLSC S1266SL-SPRING LOADED SHANK CLAMP, 6x6

SIZE	SHEET TITLE:	REV
A	COMPLETE UNIT EXPLODED	A
SCALE: 1:6	SHEET 1 OF 1	

PROPRIETARY AND CONFIDENTIAL
THE INFORMATION CONTAINED IN THIS DRAWING IS THE SOLE PROPERTY OF DALTON AG. ANY REPRODUCTION IN PART OR AS A WHOLE WITHOUT THE WRITTEN PERMISSION OF DALTON AG IS PROHIBITED.

YETTER 20" COULTER ASSEMBLY



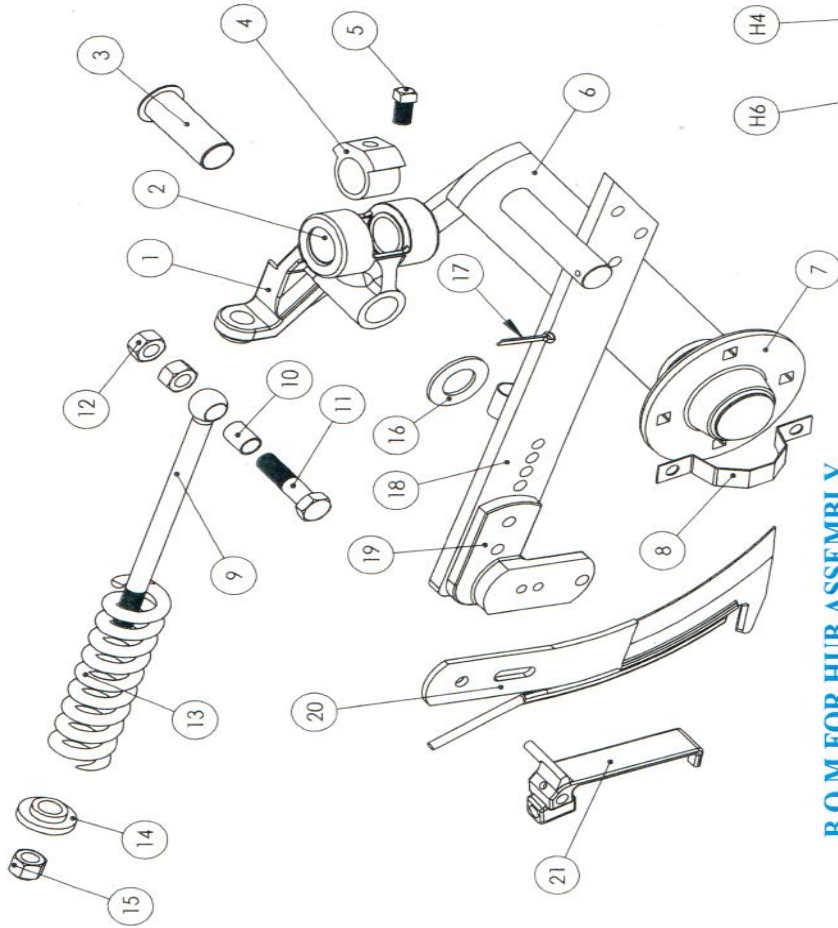
DET	QTY	PART NO.	DESCRIPTION	DET	QTY	PART NO.	DESCRIPTION
1	1	2531-125	1/4" X 1-3/4" COTTER PIN	14	1	2550-027	CONE, LM67048
2	1	2526-561	1-17/64"ID X1-7/8"OD X14GA WASHER	15	1	2570-375	DUST CAP
3	1	2570-125	EYEBOLT	16	1	2531-102	1/8" X 1-1/4" COTTER PIN
4	1	2910-320	PIVOT	17	1	2502-410	3/4"-16 X 3" HEX BOLT GRADE 5
5	1	2910-311	SPRING	18	1	2520-508	3/4"-16 HEX NUT
6	1	2910-302	SPRING BUSHING	19	4	2520-352	1/2"-13 HEX NUT
7	1	2520-516	3/4"-10 NY-LOCK HEX NUT	20	4	2525-352	1/2" LOCKWASHER
8	1	2520-511	3/4"-16 LOCK HEX NUT	21	4	2505-337	1/2"-13 X 1 1/4" CARRIAGE BOLT GRADE 5
9	1	2565-162	DECAL-YETTER	22	1	2530-208	3/8" X 2-1/2" ROLL PIN
10	1	2910-201	PIVOT ARM	23	1	2503-379	5/8"-11 X 1" SET SCREW
11	1	2520-469	5/8"-18 SLOTTED HEX NUT	24	1	2910-301	SWIVEL COLLAR
12	1	2526-449	5/8" FLATWASHER, 1/4" THICK	25	1	2531-161	5/16" X 2-1/2" COTTER PIN
13	1	2900-102	HUB SUB-ASSEMBLY	26	1	2987-301	DUST CAP RETAINER
	1	2550-027	CONE, LM67048	27	1		COULTERS BLADE-REFERENCE ONLY
	1	2550-066	TRIPLE LIP SEAL	28	1	2533-110	1/4"-28 LUBE FITTING-SELF TAP
	1	2900-105	HUB/CUP PRESSED ASSEMBLY	29	1		SHANK 1-1/2" ROUND-REFERENCE ONLY
	1	2533-110	1/4"-28 LUBE FITTING-SELF TAP				
	1	2550-029	CUP, LM67010				

05/12/2016 S431

GROVE COULTER ASSEMBLY

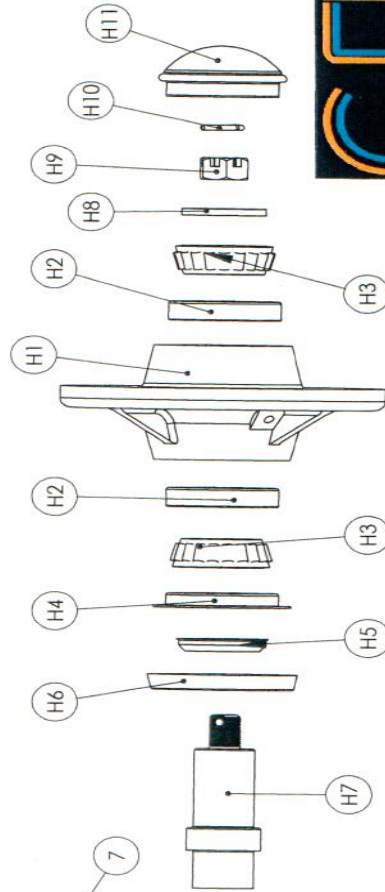
B.O.M FOR COULTER ASSEMBLY

ITEM NO.	PART #	DESCRIPTION	QTY.
1	GC3000	Cast Coultter Knuckle	1
2	GC3005	Nylon Shaft Bushing	2
3	GC3010	Nylon Knuckle Bushing	1
4	GC3105	Lock Collar	1
5	GC4075	5/8-11x1 Sq Hd Set Pt	1
6	GC2005	Coultter Arm	1
7	GC3035	G120 Coultter Hub	1
8	GC5005	Dust Cap Keeper	1
9	GC3070	Spring Rod	1
10	GC3060	Nylon Spring Bushing	1
11	GC3055	Spring Bolt	1
12	GC3065	Spring Nut	2
13	GC3075	Spring	1
14	GC3080	Spring Alignment Casting	1
15	GC3085	Spring Lock Nut	1
16	GC3090	Washer	1
17	G905942	Cotter Pin	1
18	GC3095	Attachment Arm	1
19	GC3102	Knife Bracket	1
20	GC5010	Knife	1
21	GC3205	Injector Mount	1



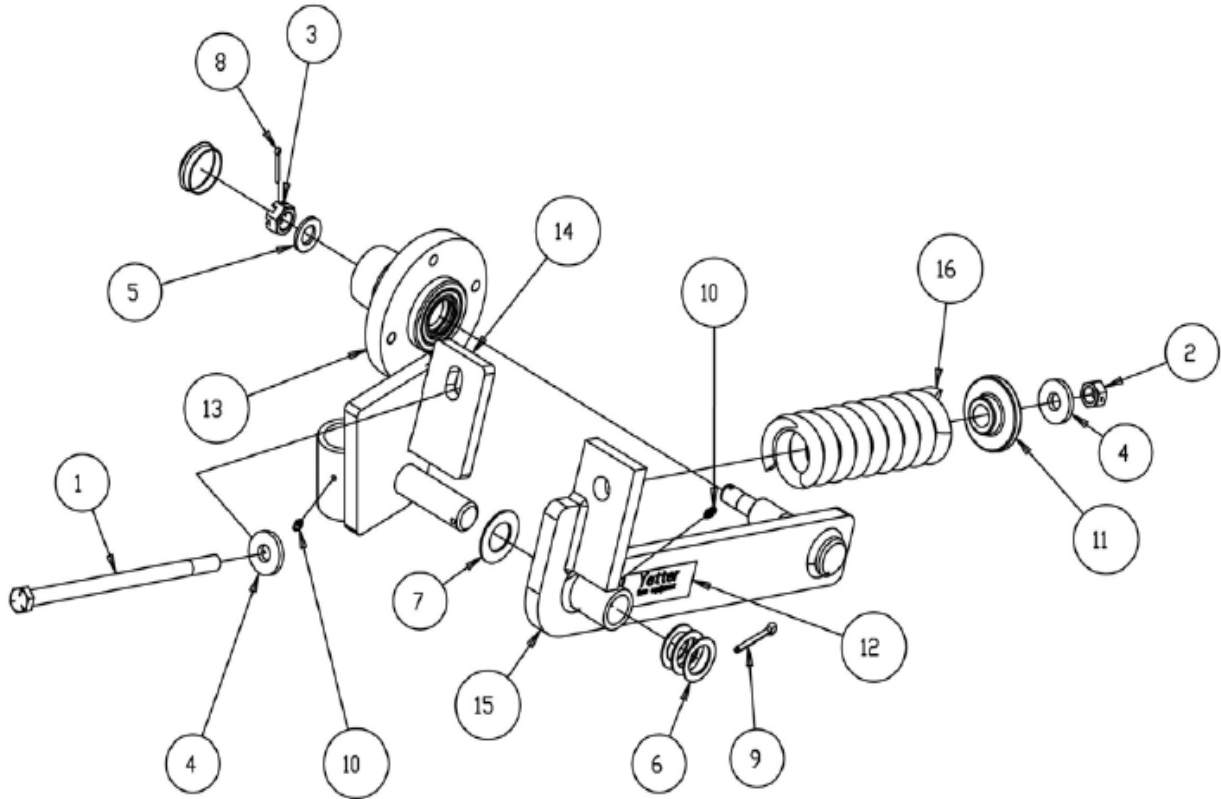
B.O.M FOR HUB ASSEMBLY

ITEM NO.	PART #	DESCRIPTION	QTY.
H1	GC3035	G120 Coultter Hub	1
H2	G910257	LM67010 Cup	2
H3	G910259	LM67048 Bearing	2
H4	GC3040	Seal Counterface	1
H5	GC3045	Coultter Seal	1
H6	GC3050	Seal Protector	1
H7	GC3020	Coultter Spindle	1
H8	G913611	Washer	1
H9	G912954	Slotted Hex Nut	1
H10	G905936	Cotter Pin	1
H11	G909970	Dust Cap	1



YETTER 24" EXTREME COULTER ASSEMBLY

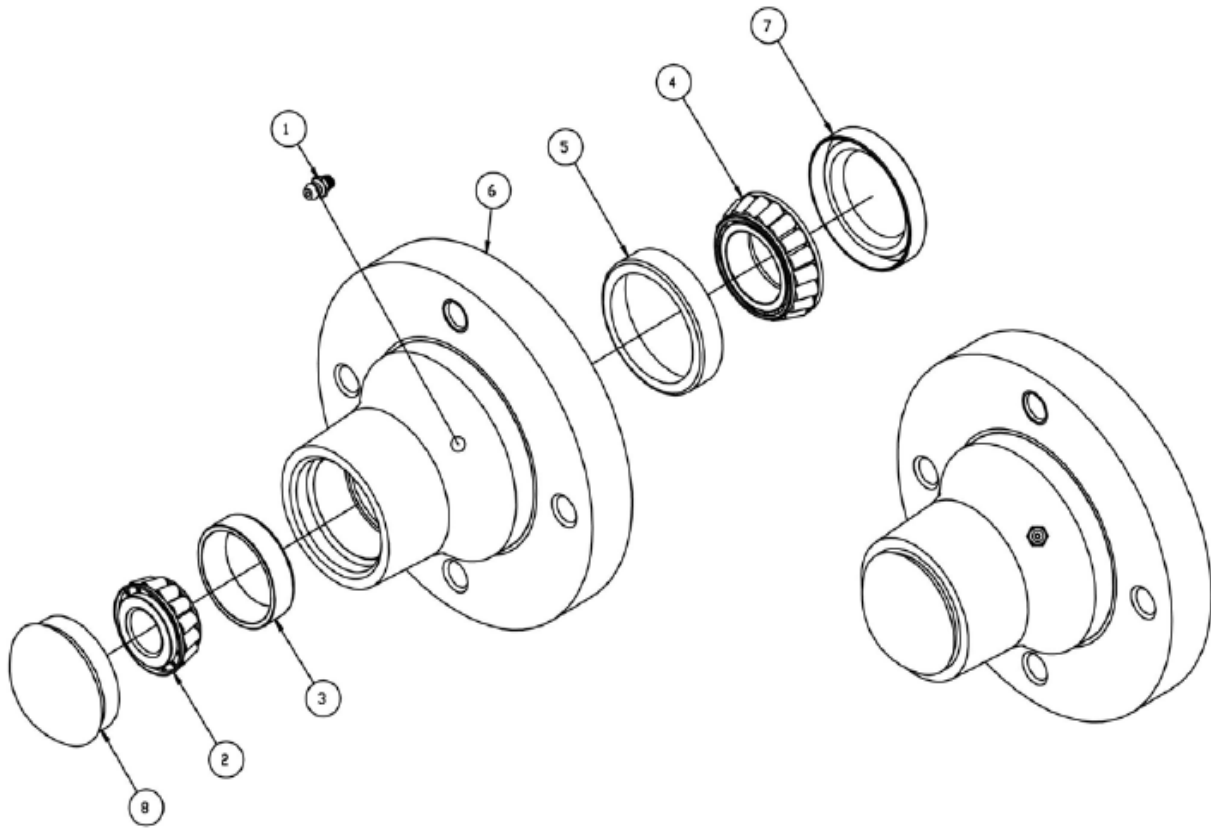
2995-149



ITEM	PART NO.	DESCRIPTION	QTY
1	2502-337	5/8-11 X 12 HHCS GR. 5 ZP	1
2	2520-459	5/8-11 LOCK HEX NUT ZP	1
3	2520-503	MACH CASTLE NT 1 1/4-12 ZP	1
4	2526-449	5/8 FLATWASHER, 1/4+-010 THK	2
5	2526-504	3/4 SAE FLATWASHER, ZP	1
6	2526-561	1 1/4" STD. FLATWASHER, ZP	3
7	2526-562	1-17/64ID X1-7/8OD X14GA MB BL	1
8	2531-109	WU/ 5/16 X 2-1/2 COTTER PIN ZP	1
9	2531-125	WU/ 5/16 X 2-1/2 COTTER PIN ZP	1
10	2533-110	1/4-28 ZERK STRAIGHT SELF-TAP	2
11	2555-167	SPRING BUSHING CASTING	1
12	2565-162	YETTER DECAL, 1-1/2 X 4-1/2	1
13	2995-138	633 HUB ASSEMBLY	1
14	2995-244	COULTER PIVOT	1
15	2995-248	COULTER ARM W.A.	1
16	2995-403	SPRING	1

YETTER 24" EXTREME HUB BREAKDOWN

2995-138



ITEM	PART NO	DESCRIPTION	QTY
1	2533-110	1/4-28 ZERK STRAIGHT SELF-TAP	1
2	2550-012	CONE W.G. (LM11949)	1
3	2550-013	CUP W.G. (LM11910)	1
4	2550-027	CONE, LM67048	1
5	2550-029	CUP, LM67010	1
6	2995-400	633 HUB, MACHINED	1
7	2995-401	SEAL, CR #14975	1
8	2995-402	HUB CAP, 633 HUB	1

The American Society of Agricultural Engineers has established minimum marking recommendations for agricultural field equipment that is towed on or across public highways. These standards include:

1. Implements which obscure the rear tractor lighting; or are more than 13 ft. wide; or extend to the left or right of the tractor center by 79 in. and beyond the left or right extremity of the tractor; or extend more than 33 ft. to the rear of the tractor hitchpoint should have the following lighting to meet minimum safety standards:
 - a. One red tail lamp mounted to the rear of the implement and as far to the left as possible. This must face rearward only.
 - b. Two amber flashing lights, visible from front and rear, and as far to the left and right as possible. These should be mounted to within 16 in. of extremities and within 39 in. to 10 ft. in height.
 - c. Non-symmetrical equipment, such as moldboard plows or windrowers, extending only to the left or right may have one amber flashing light mounted to within 16 in. of the extremity.
2. Implements extending more than 4 ft. to the left of the center of the tractor should have at least one amber reflector visible to the front, located to the extreme left of the implement.
3. Implements exceeding more than 10 ft. behind the hitchpoint should have at least two amber reflectors visible from both the left and right sides. Reflectors should be spaced no more than 5 ft. apart, starting from the hitch. The rear most reflector should be positioned as far to the rear as possible.
4. Implements extending more than 4 ft. to the rear of the hitchpoint or more than 4 ft. to the left or right of the center of the tractor should have at least two red reflectors visible to the rear.

LOCATION

Dual and single lamp units can be mounted in a variety of locations and positions using the following guidelines:



1. Amber must always be mounted either the top or outer-most left or right position. It should be able to be seen from both the front or rear of the implement at all times.
2. Single lamps may be used in place of a dual lamp, if mounting is a problem.
3. If the amber lamp cannot be seen from both front and rear of the implement at the same time, a second lamp is necessary and should be positioned as far forward as possible.
4. Red is to face rearward only.

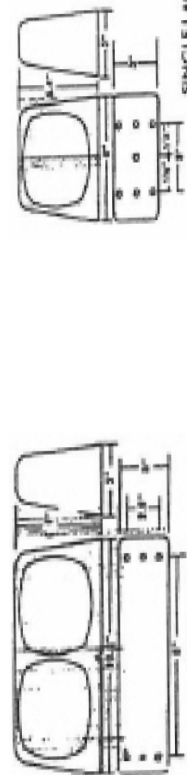
Note: All lamps can be mounted horizontally, vertically, upright or inverted. However, care should be taken to adequately protect the base from excess water buildup when inverting.

MOUNTING

All units have provisions for multiple mounting. The outermost holes will accept 1/4" machine or lag screws and will allow thru-panel bolting. The inner holes are designed to accept 1/4" lag or self-drilling screws only. Maximum length not to exceed 1" beyond panel. A 9/32" dia. hole size is recommended.

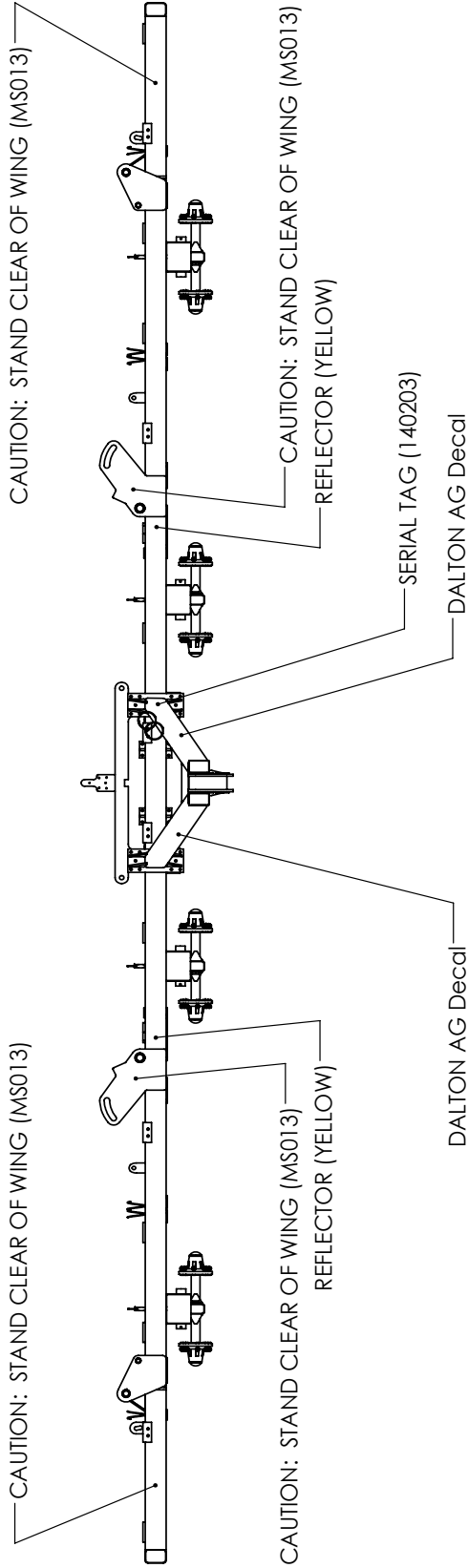
If holes are required to route wires and connectors from lamp units, a 3/4" dia. hole is recommended.

The diagram below should be used as a guide for mounting hole

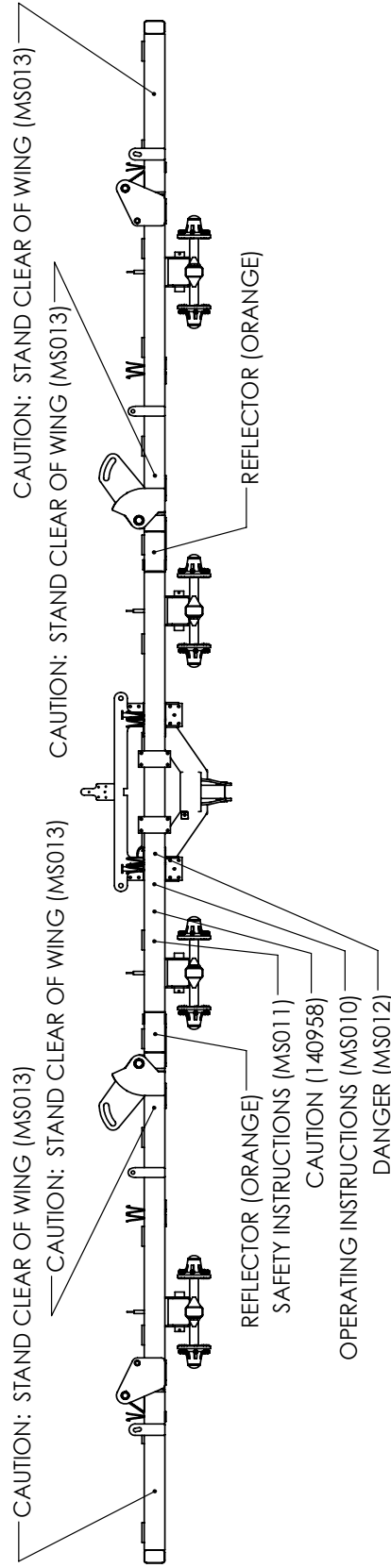


DECAL LAYOUT

FRONT



BACK



DRAWN BY	RICH SMOTHERS	6/20/2016
CHECKED BY		
PRINT DATE	9/23/2016	
CONFIG.	Default	
COMMENTS:		



DWG: TOOLBAR - DECAL LAYOUT

PROPRIETARY AND CONFIDENTIAL
 THE INFORMATION CONTAINED IN THIS DRAWING IS THE SOLE PROPERTY OF DALTON AG. ANY REPRODUCTION IN PART OR AS A WHOLE WITHOUT THE WRITTEN PERMISSION OF DALTON AG IS PROHIBITED.

SIZE	A	SHEET TITLE:	Sheet1	REV	
SCALE:	1:48	TOOLBAR - DECAL LAYOUT			
			SHEET 1 OF 1		

PARTS ORDERING PROCEDURE

Your Dalton Ag dealer is interested in your new fertilizer application equipment and has the desire to help you get the most value from it. Through the help of this manual, you will find you can do some of the regular maintenance yourself. For parts and service, contact the Dalton Ag Dealership from which you purchased your fertilizer application equipment or your local Dalton Ag dealer.

When replacement parts are required, consult the applicable illustration and parts list to obtain the correct part name and number. When requesting a replacement part, always include the following information:

1. Complete Part Number
2. Description
3. Quantity Required
4. Machine and Model Number
5. Machine Serial Number - located on the topside of the frame near hitch
6. Provide complete name and address for where and how parts are to be shipped.

NOTE: Right and left hand parts and sides of the units are determined by standing at the rear and facing in the direction of forward travel.

EQUIPMENT MODEL: _____

EQUIPMENT SERIAL NO.: _____

DATE OF PURCHASE: _____

NAME OF DEALER: _____

DEALER'S PHONE NUMBER: _____

Thank you for your business!

DaltonAg.com

602 E. Van Buren Lenox, Iowa 50851
100% Employee Owned

800.342.7498

NOTES

NOTES



www.daltonag.com

602 E. VAN BUREN / LENOX, IOWA 50851 / 800-342-7498

Rev. 7/7/17