



**OPERATING AND PARTS MANUAL**  
*STEALTH LIQUID APPLICATORS*

2026





# TABLE OF CONTENTS

TO YOU THE OWNER.....	1
LIMITED WARRANTY STATEMENT.....	2
NEW MACHINE CHECKOUT.....	3
IMPLEMENT SAFETY.....	4
PRE-SEASON CHECK.....	5
BOLT TORQUE CHART.....	6
LOADED RADIUS OF VARIOUS TIRES.....	7
LIQUID INJECTOR NOZZLE CHART.....	8
GPA TABLE.....	9
DLQ TONGUE - JACK AND HITCH OPTIONS.....	11
DLQ TOOLBAR CONTROL ARM.....	12
DLQSTD AXLE, SPINDLE, AND HUB.....	13
1002194, 819 8-BOLT HUB ASSEMBLY, COMPLETE.....	14
DLQHD AXLE, SPINDLE, AND HUB.....	15
4410248, 873 10-BOLT HUB ASSEMBLY, COMPLETE.....	16
DLQHD 2000 AXLE, SPINDLE, AND HUB.....	17
4410337, 881 10-BOLT HUB ASSEMBLY, COMPLETE.....	18
AXLE ASSEMBLY.....	19
DLQ SINGLE FOLD TOOLBAR.....	20
DLQ FRONT FOLD TOOLBAR.....	21
DLQ DOUBLE FOLD TOOLBAR.....	22
DLQHD 60' TOOLBAR.....	23
TOOLBAR CYLINDER STOP.....	24
DLQ LIGHT KIT.....	25
DLQHD 60' DOWNPRESSURE.....	26
DLQ DOWNPRESSURE KIT.....	27
DLQ DOWNPRESSURE MOUNT & HARDWARE.....	28
DLQ DOWNPRESSURE CALIBRATION.....	29
CENTER SECTION HINGE CONFIGURATIONS.....	30
DLQ GULLWING MOUNT & HARDWARE.....	32
DLQ GULLWING OPERATING INSTRUCTIONS.....	33
LIFT TEE HARDWARE & INSTALLATION.....	34
DLQ WING LOCK.....	35
2 PIN GAUGE WHEEL .....	36
4410086, 888 6-BOLT HUB ASSEMBLY, COMPLETE.....	37
GROUND DRIVE ASSEMBLY.....	38
VISA FLOW LAYOUTS.....	39
DLQ TANK PLUMBING.....	43
YETTER COULTER ASSEMBLY.....	50
NOZZLE AND COULTER ASSEMBLY.....	51
GROVE COULTER ASSEMBLY.....	52
GROVE KNIFE AND INJECTION.....	53
DECAL LAYOUT.....	54
PARTS ORDERING PROCEDURE.....	55

## TO YOU, THE OWNER

Your Dalton Ag Equipment is the most modern, up-to-date, versatile, machine available for fertilizer application. The machine is the result of many years of experience, research, development and testing of equipment for fertilizer application. It is soundly engineered and carefully built to rigid specifications. It is of rugged and simple construction, with a minimum of moving parts.

However, to obtain maximum performance from your Dalton Ag Equipment, it is necessary to follow the instructions and safety suggestions in this manual. Each section has been carefully prepared for the purpose of providing needed and valuable information to the owner and operator. Each operator of this unit should be familiar with the contents of this manual. Keep it in a safe and convenient location. THERE ARE MANY SAFETY SUGGESTIONS (CAUTION AREAS) PRINTED THROUGHOUT THIS MANUAL. CAREFULLY READ THEM ALL BEFORE OPERATING THIS UNIT.

## DESIGN IMPROVEMENTS

Dalton Ag Products follows a policy of continuous products improvement. We therefore reserve the right to make design improvements, and changes in specifications and prices, without incurring obligations to make revisions or additions to equipment previously sold.

**REGISTER  
WARRANTY  
ONE OF  
FOUR WAYS**

- Register on-line at:  
[www.daltonag.com](http://www.daltonag.com)
- Fax your completed warranty registration form to:  
641-569-7033
- Email your completed warranty registration form to:  
[office@daltonag.com](mailto:office@daltonag.com)
- Mail your completed warranty registration form to:  
Dalton Ag, Inc.  
P.O. Box 70  
Lenox, IA 50851

**LIMITED WARRANTY STATEMENT**

DALTON AG, INC. warrants to the original purchaser only that all products manufactured under the Dalton Ag and Mobility Brands will be free from defects in material and workmanship under normal use and service.

DALTON AG’s obligation under this warranty is limited to repairing or replacing, as it may elect, free of charge and without charge for installation, at the place of business of a dealer or distributor authorized to handle the equipment covered by this warranty or at a DALTON AG facility, any parts that prove, in DALTON AG's judgment, to be defective in material or workmanship within two (2) years after delivery to the original purchaser. DALTON AG shall not be liable for personal injuries or any special or consequential damages of any kind, either direct or indirect. This warranty is subject to acts of God, fire and existing conditions of supply and demand, production, ability or inability to deliver, or for any other valid reason beyond the reasonable control of DALTON AG. No distributor, dealer, agent or DALTON AG employee (other than DALTON's President in writing) is authorized to extend or make any other or further express or implied warranty or incur any additional obligation on DALTON AG’s behalf in connection with the sale of this product.

**Customer Responsibility**

**Product Registration** - It is a condition of this warranty that the original purchaser fill out the warranty card furnished by DALTON AG and return it to DALTON AG to be recorded in DALTON AG’s owner file. Registration may also be done on line at [www.DaltonAg.com/warrantyregistration](http://www.DaltonAg.com/warrantyregistration). If the original purchaser's card or electronic registration is not on file at DALTON AG’s office, the warranty period will extend only from date equipment was picked up or shipped from the DALTON AG plant.

**Maintenance** - It is the customer’s responsibility to maintain their equipment in accordance with the instructions provided in the Operator’s Manual. DALTON AG recommends that you keep records and receipts as the customer may be required to verify the maintenance instructions have been followed.

**Operation** – It is the customer’s responsibility to operate the equipment only for the purpose for which it was designed and in accordance with all safety and operational recommendations contained in the Operator's Manual. If a defect in materials or workmanship occurs, it is the customer’s responsibility to cease operating the equipment until authorized repairs are made.

**Damage incurred from continued operation after a defect is discovered may not be covered by this warranty.**

**What this Warranty Covers**

This warranty covers failures caused by defects in materials or workmanship only.

**This Warranty does not cover failures caused by:**

- Improper operation
- Natural calamities
- Unauthorized modifications
- Unauthorized repairs
- Use of Non DALTON AG parts
- Neglected maintenance
- Usage contrary to the intended purpose of the product

**This Warranty does not cover replacement of Wear or Maintenance Items including, but not limited to:**

- Lubricants
- Filters
- Hoses
- Tires
- Disks
- Chains
- Idlers
- Blades
- Belts
- Bearings

**This Warranty does not cover:**

- Pickup and delivery of the equipment
- Service Calls or Travel Time to and from sites
- Rental of replacement equipment during repair period
- Products that have been declared a total loss and subsequently salvaged
- Overtime labor charges

**Parts Warranty**

DALTON AG warrants its replacement parts against defects in materials or workmanship for a period of 90 days or the remainder of the product warranty, whichever is longer under the terms set out above. Remedy for defective replacement parts for units that are beyond the original product warranty, will be limited to replacement of the failed part.

## NEW MACHINE CHECKOUT

1. All hardware properly tightened.
2. Lubrication of grease fittings.
3. Wheel bolts tightened to proper specs.
4. Check hydraulic hoses and fittings.

## MAINTENANCE

1. Visually inspect machine daily.
2. Repair or replace any worn or damaged parts.

## LUBRICATION SCHEDULE

Careful observance of the following lubrication schedule is the best preventative maintenance program for your Dalton Ag Equipment. We recommend that you establish a firm program to insure lubrication in strict compliance with the following schedule. Use only good grade pressure gun type grease unless otherwise specified.

### Daily Lubrication

Hinge points

### Weekly Lubrication

Wheel bearings  
Coulters

### Annual Lubrication

Check all bearings - repack or replace as needed

## IMPLEMENT SAFETY

In addition to design and configuration of equipment, safety and accident prevention are dependent upon the awareness, concern, and proper training of personnel involved in the operation, transport, maintenance, and storage of equipment. Failing to follow these safety messages can result in machine damage, personal injury, and/or death.

- Before operating your applicator, thoroughly read and understand your operator's manual. If you do not understand any portion of the operator's manual, contact your local Dalton Ag dealer immediately for clarification.
- Furnish this manual to a new operator.
- Tow with tractor only. Never transport applicator unit in excess of 20 MPH. Maintain a safe speed.
- Use a Slow-Moving-Vehicle (SMV) emblem when transporting.
- Be sure safety decals are readable. All safety related decals must be replaced if the applicator is painted or the decals are otherwise rendered unreadable.
- Install transport link before transporting.
- Always check for overhead obstacles in transporting applicator and before folding or unfolding the wings of the unit.
- Never permit riders on the applicator or tractor.
- Proceed slowly on rough or slippery roadways, on side hills, and around curves to avoid tipping.
- Reduce speed when approaching ditches and corners. Do not make sharp turns with brakes.
- Machinery should be operated only by persons familiar to the tractor, applicator unit, and the safety related items.
- Do not stand on, or straddle tongue when unhitching.
- Do not modify or permit anyone to modify this applicator and any of its components without first consulting your Dalton Ag dealer.
- Do not lubricate, adjust, or repair when applicator unit is in motion.
- Use only approved replacement parts.
- To prevent serious injury from high pressure fluid, NEVER attempt to inspect, service, or disassemble any part of the hydraulic system until all pressure is relieved by lowering the toolbar to the ground (or secure with cylinder transport stops provided).
- High-pressure fluid is nearly invisible but has enough force to penetrate the skin. Never use the hands to search out a suspected leak. If injured by escaping fluid, obtain medical attention at once to minimize chance of infection. Wear safety glasses or goggles to avoid eye injury when working on the hydraulic system.
- Always check torque on wheel bolts before transporting.

## **PRE-SEASON CHECK**

1. Carefully review the safety suggestions in this manual.
2. Check all bolts for proper tightness. When the implement is new, check after one hour and every few hours of operation.
3. Replace ground tools that are severely worn, broken or damaged.
4. Check tires for proper inflation. All tires should be inflated equally to avoid side draft.
5. Check the wheel lug bolts daily, keep wheel bolts tight.
6. Grease all fittings.
7. Inspect, repack, or replace (if necessary) wheel bearings and seals.
8. Check hoses, hose routing and hydraulic cylinders. Any indication of leakage or fraying of hoses should be corrected.

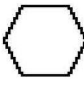



## **OFF-SEASON STORAGE**

Following these suggestions will extend service life and satisfaction:

1. A little time and effort spent cleaning your machine before storing will repay in longer service, easier operation and higher resale value.
2. Inspect for worn or damaged parts. Replace, if required, and avoid delays the next season.
3. Repaint all areas where the original paint is worn off.
4. Lubricate your implement.
5. Grease all exposed metal surfaces of ground tools.
6. Store the unit inside a shed to protect from weather and on a level area with wings down. The ground working parts should rest on boards.
7. Disconnect the rod end of the lift cylinders and retract the rod into the cylinder to prevent the cylinder rod from rusting.
8. Cap or plug all hydraulic oil lines, if the cylinders are removed. This is to prevent any contaminants from entering the hydraulic system.
9. Raise tires off ground or remove and store in cool dry location out of sunlight.

**IMPORTANT :** Over tightening hardware can be as damaging as under tightening. Tightening beyond recommended torque will reduce the fastener's shock load capacity.

## BOLT TORQUE CHART

SIZE	 SAE GRADE 2		 SAE GRADE 5		 SAE GRADE 8		 L9
	ASSEMBLY TORQUE DRY	LUBRICATED	ASSEMBLY TORQUE DRY	LUBRICATED	ASSEMBLY TORQUE DRY	LUBRICATED	ASSEMBLY TORQUE LUBRICATED
1/4-20	66*	49*	8	75*	12	9	11
1/4-28	76*	56*	10	86*	14	10	13
5/16-18	11	8	17	13	20	18	21
5/16-24	12	9	19	14	25	20	23
3/8-16	20	15	30	23	45	30	33
3/8-24	23	17	35	25	50	35	38
7/16-14	30	24	50	35	70	55	60
7/16-20	35	25	55	40	80	60	65
1/2-13	50	35	75	55	110	80	95
1/2-20	55	40	90	65	120	90	105
9/16-12	65	50	110	80	150	110	140
9/16-18	75	55	120	90	170	130	150
5/8-11	90	70	150	110	220	170	185
5/8-18	100	80	180	130	240	180	205
3/4-10	160	120	260	200	380	280	290
3/4-16	180	140	300	220	420	320	355
7/8-9	190	140	400	300	600	460	505
7/8-14	210	155	440	320	660	500	585
1-8	220	160	580	440	900	680	775
1-14	240	170	640	480	1000	740	900
1 1/8-7	300	220	800	600	1280	960	1150
1 1/8-12	340	260	880	660	1440	1080	1325
1 1/4-7	420	320	1120	840	1820	1360	1600
1 1/4-12	460	360	1240	920	2000	1500	1750
1 3/8-6	560	420	1460	1100	2380	1780	---
1 3/8-12	640	460	1680	1260	2720	2040	---
1 1/2-6	740	560	1940	1460	3160	2360	3250
1 1/2-12	840	620	2200	1640	3560	2660	3650

**ITEMS WITH \* = INCH POUNDS  
ALL OTHERS = FOOT POUNDS**

**WARNING:** Never work around any raised implement while in the raised position without using safety lockups.

**LOADED RADIUS OF VARIOUS TIRES -  
FOR USE IN SETTING JOHN BLUE  
GROUND-DRIVEN PUMPS**

<b>TIRE SIZE</b>	<b>LOADED RADIUS</b>	<b>TIRE SIZE</b>	<b>LOADED RADIUS</b>
6.70-15SL	12.9	9.00-20	19.0
7.60-15SL	13.4	10.0-20	19.6
9.5L-15SL	13.6	11.0-20	20.1
10.0-15SL	15.1	12.0-20	20.6
11L-15SL	13.5	15.0-22.5	20.0
12.5L-15SL	14.5		
9.00-16SL	14.7		
11L-16SL	13.9		
12.5L-16SL	15.0		
13.5L-16.1SL	17.5		
16.5L-16.1SL	17.3		
4.8-8	7.5		
18-9.5	7.8		
16 X 6.50-8	7.4		

## LIQUID INJECTOR NOZZLE CHART

### NOZZLE SELECTION

1. To select the proper nozzle size, first determine the gallons per acre and speed that is going to be used. Go to the table for the proper row spacing.
2. Find the speed across the top, go down to the "Gallon Per Acre" and read the nozzle size in the box.
3. Order nozzle by m.p.h. and gallons per acre.

### FORMULA TO CONVERT POUNDS PER ACRE TO GALLONS PER ACRE

Pounds per Acre/Percent of Nitrogen = Total Pounds per Acre/pounds per Gallon = Gallons per Acre

EXAMPLE: 100 (# per Acre) / .28 (28%) = 357 (# per Acre) / 10.65 (#per Gallon) = 33.5 (GPA)

NOTE: If 1/2 rate is needed on outside shanks, order two nozzles with half the capacity. If 1 1/2 rate is needed on outside shanks, order two nozzles with 1 1/2 times the capacity.

**\*\*\*REFER TO THE FOLLOWING RATE CHART FOR TIPS AND APPLICATION\*\*\***

## GPA 30" SPACING

gallons per acre x 1.15 = water per acre

TIP NUMBER	ORIFICE DIAM.	PSI	CAP .1 NOZZLE GPM	5 MPH GPA	6 MPH GPA	7 MPH GPA	8 MPH GPA	9 MPH GPA	10 MPH GPA
TP0004	.055	20	.28	11	9	8	7		6
H1/4U-SS0004		30	.35	14	12	10	9	8	7
		40	.40	16	13	11	10	9	8
		50	.45	18	15	13	11	10	9
		60	.49	19	16	14	12	11	10
TP0005	.061	20	.35	14	12	10	9		
H1/4U-SS0005		30	.43	17	14	12	11	9	8
		40	.50	20	16	14	12	11	10
		50	.56	22	18	16	14	12	11
		60	.61	24	20	17	15	13	12
TP0006	.067	20	.42	17	14	12	10	9	8
H1/4U-SS0006		30	.52	20	17	15	13	11	10
		40	.60	24	20	17	15	13	12
		50	.67	26	22	18	17	15	13
		60	.73	28	24	20	18	16	15
TP0008	.078	20	.57	23	19	16	14	13	11
H1/SS0008		30	.69	27	22	19	17	15	13
		40	.80	32	26	22	20	17	16
		50	.89	53	29	25	22	19	17
		60	.98		32	28	24	21	19
TP00010	.086	20	.71	28	23	20	18	16	14
H1/4U-SS0010		30	.87	34	28	24	21	19	17
		40	1.00	39	33	28	24	22	20
		50	1.12	44	36	32	28	24	22
		60	1.22	48	40	34	30	26	24
TP00015	.107	20	1.06	42	35	30	26	23	21
H1/4U-SS0015		30	1.30	51	42	36	32	28	26
		40	1.50	59	49	42	37	33	30
		50	1.68	66	55	47	41	36	33
		60	1.84	72	60	51	45	40	36
TP00020	.125	20	1.41	56	47	40	35		28
H1/4U-SS0020		30	1.73	68	57	50	43	38	34
		40	2.00	80	66	56	50	44	40
		50	2.24	88	74	64	56	49	44
		60	2.44	96	80	70	60	53	48
TP00030	.140	20	2.12	84	70	60	52		42
H1/4U-SS0030		30	2.60	102	86	74	64	57	51
		40	3.00		99	84	74	66	59

\*\*\*\* 15" ROW CONVERSION - X 2

\*\*\*\* 36" ROW CONVERSION - X .83

To determine the orifice plates you need, use the following equations:

**NOTE: Always insert Orifice Plate**  
with the side marked with the  
number facing the outlet.


$$\text{GPM (per nozzle)} = \frac{\text{GPA} \times \text{MPH} \times \text{W}}{5,940}$$


$$\text{GPA} = \frac{5,940 \times \text{GPM (per nozzle)}}{\text{MPH} \times \text{W}}$$


W = Nozzle spacing (in inches)  
for broadcast spraying.  
= Spray width (in inches) for  
single nozzle, band spraying  
or boomless spraying.  
= Row spacing (in inches) divided  
by the number of nozzles per row  
for directed spraying.

Tabulated flow rates are for spraying water into air at  
atmospheric pressure. If your application creates  
backpressure, or if spraying into a liquid, measure and  
calibrate to ensure proper application rates.

FOR ORIFICE SIZE	USE MESH SIZE
15 and smaller	200
16-39	100
40-70	50
72 and larger	—

	GPM						
	5 PSI	10 PSI	20 PSI	30 PSI	40 PSI	50 PSI	60 PSI
CP4916-008	0.003	0.004	0.006	0.007	0.008	0.009	0.010
CP4916-10	0.005	0.007	0.009	0.011	0.013	0.015	0.016
CP4916-12	0.007	0.010	0.013	0.016	0.019	0.021	0.023
CP4916-14	0.009	0.013	0.018	0.022	0.025	0.028	0.031
CP4916-15	0.010	0.015	0.021	0.025	0.029	0.032	0.036
CP4916-16	0.012	0.017	0.023	0.029	0.033	0.037	0.040
CP4916-18	0.015	0.021	0.030	0.036	0.042	0.047	0.051
CP4916-20	0.018	0.026	0.037	0.045	0.052	0.058	0.064
CP4916-22	0.022	0.031	0.043	0.053	0.061	0.068	0.075
CP4916-24	0.026	0.037	0.052	0.064	0.074	0.083	0.091
CP4916-25	0.028	0.040	0.056	0.068	0.079	0.088	0.097
CP4916-26	0.030	0.043	0.061	0.074	0.086	0.096	0.105
CP4916-27	0.032	0.046	0.064	0.079	0.091	0.102	0.111
CP4916-28	0.035	0.049	0.069	0.085	0.098	0.110	0.120
CP4916-29	0.038	0.054	0.076	0.094	0.108	0.121	0.132
CP4916-30	0.040	0.057	0.081	0.099	0.114	0.127	0.140
CP4916-31	0.043	0.062	0.087	0.107	0.123	0.138	0.151
CP4916-32	0.048	0.068	0.095	0.117	0.135	0.151	0.165
CP4916-34	0.052	0.074	0.104	0.127	0.147	0.164	0.180
CP4916-35	0.056	0.079	0.111	0.136	0.157	0.176	0.192
CP4916-37	0.061	0.086	0.122	0.149	0.172	0.192	0.211
CP4916-39	0.068	0.096	0.135	0.165	0.191	0.214	0.234
CP4916-40	0.072	0.102	0.144	0.177	0.204	0.228	0.250
CP4916-41	0.075	0.106	0.149	0.183	0.211	0.236	0.258
CP4916-43	0.082	0.116	0.163	0.200	0.231	0.258	0.283
CP4916-45	0.088	0.125	0.177	0.217	0.250	0.280	0.306
CP4916-46	0.095	0.135	0.191	0.234	0.270	0.302	0.331

	GPM						
	5 PSI	10 PSI	20 PSI	30 PSI	40 PSI	50 PSI	60 PSI
CP4916-47	0.097	0.138	0.194	0.238	0.275	0.307	0.337
CP4916-48	0.101	0.143	0.202	0.248	0.286	0.320	0.350
CP4916-49	0.104	0.148	0.209	0.255	0.295	0.330	0.361
CP4916-51	0.116	0.165	0.233	0.285	0.329	0.368	0.403
CP4916-52	0.118	0.168	0.237	0.290	0.335	0.375	0.410
CP4916-54	0.127	0.180	0.255	0.312	0.360	0.402	0.441
CP4916-55	0.133	0.189	0.267	0.326	0.377	0.421	0.462
CP4916-57	0.141	0.200	0.283	0.346	0.400	0.447	0.490
CP4916-59	0.153	0.217	0.306	0.375	0.433	0.484	0.530
CP4916-61	0.165	0.233	0.330	0.404	0.466	0.521	0.571
CP4916-63	0.174	0.246	0.347	0.425	0.491	0.549	0.601
CP4916-65	0.185	0.261	0.369	0.452	0.522	0.584	0.639
CP4916-67	0.196	0.278	0.392	0.481	0.555	0.621	0.680
CP4916-68	0.203	0.287	0.405	0.496	0.573	0.641	0.702
CP4916-70	0.216	0.306	0.433	0.530	0.612	0.684	0.750
CP4916-72	0.226	0.320	0.453	0.554	0.640	0.716	0.784
CP4916-73	0.233	0.330	0.467	0.572	0.660	0.738	0.808
CP4916-75	0.245	0.347	0.491	0.601	0.694	0.776	0.850
CP4916-78	0.272	0.385	0.544	0.667	0.770	0.861	0.943
CP4916-80	0.280	0.397	0.561	0.687	0.793	0.887	0.971
CP4916-81	0.290	0.411	0.581	0.711	0.821	0.918	1.01
CP4916-83	0.317	0.449	0.634	0.777	0.897	1.00	1.10
CP4916-86	0.332	0.470	0.664	0.813	0.939	1.05	1.15
CP4916-89	0.346	0.490	0.693	0.849	0.980	1.10	1.20
CP4916-91	0.369	0.523	0.739	0.905	1.05	1.17	1.28
CP4916-93	0.387	0.547	0.774	0.947	1.09	1.22	1.34
CP4916-95	0.404	0.572	0.808	0.990	1.14	1.28	1.40

	GPM						
	5 PSI	10 PSI	20 PSI	30 PSI	40 PSI	50 PSI	60 PSI
CP4916-98	0.442	0.625	0.884	1.08	1.25	1.40	1.53
CP4916-103	0.461	0.653	0.923	1.13	1.31	1.46	1.60
CP4916-107	0.518	0.733	1.04	1.27	1.47	1.64	1.79
CP4916-110	0.548	0.775	1.10	1.34	1.55	1.73	1.90
CP4916-115	0.605	0.855	1.21	1.48	1.71	1.91	2.09
CP4916-120	0.629	0.890	1.26	1.54	1.78	1.99	2.18
CP4916-125	0.693	0.980	1.39	1.70	1.96	2.19	2.40
CP4916-128	0.721	1.02	1.44	1.77	2.04	2.28	2.50
CP4916-132	0.774	1.10	1.55	1.90	2.19	2.45	2.68
CP4916-136	0.840	1.19	1.68	2.06	2.38	2.66	2.91
CP4916-140	0.894	1.27	1.79	2.19	2.53	2.83	3.10
CP4916-144	0.926	1.31	1.85	2.27	2.62	2.93	3.21
CP4916-147	0.953	1.35	1.91	2.33	2.70	3.01	3.30
CP4916-151	1.04	1.47	2.08	2.55	2.94	3.29	3.60
CP4916-156	1.10	1.55	2.20	2.69	3.11	3.47	3.80
CP4916-161	1.15	1.63	2.31	2.83	3.27	3.65	4.00
CP4916-166	1.21	1.72	2.43	2.97	3.43	3.84	4.20
CP4916-170	1.30	1.84	2.61	3.19	3.69	4.12	4.51
CP4916-172	1.36	1.92	2.71	3.32	3.84	4.29	4.70
CP4916-177	1.41	2.00	2.83	3.46	4.00	4.47	4.90
CP4916-182	1.47	2.08	2.95	3.61	4.17	4.66	5.10
CP4916-187	1.56	2.21	3.12	3.82	4.41	4.93	5.40
CP4916-196	1.73	2.45	3.46	4.24	4.90	5.47	6.00
CP4916-205	1.88	2.65	3.75	4.59	5.31	5.93	6.50
CP4916-218	2.11	2.98	4.21	5.16	5.96	6.66	7.30
CP4916-234	2.45	3.47	4.91	6.01	6.94	7.76	8.50
CP4916-250	2.83	4.00	5.66	6.93	8.00	8.94	9.80

# DLQ TONGUE - JACK & HITCH OPTIONS

## 4410351 DLQ HOSE STAND ASSEMBLY

TB 4435097 HOSE CADDY HOSE CLAMP  
 151811 BOLT, .375 X 2 NC, G5, PLTD  
 152206 BOLT .5 X 1.5 NC, G5, PLTD

## 4410378 PRESSURE GAUGE BRACKET ASSEMBLY, DLQ

4420323 GAUGE MOUNT BRACKET WELDMENT  
 4440967 .375 HOSE BARB, .25 NPT MALE, STAINLESS  
 4421284 GAUGE, GLYCERIN 100#, DLQ

151805 BOLT, .375 X 1.25 NC, PLTD

4420325 HOSE STAND TOP WELDMENT

150005 NUT, .375 NC, PLTD

150008 NUT, .5 NC, PLTD

4420845 DLQ LONG HOSE STAND

4434269 HOSE STAND BACKING PLATE

152422 BOLT, .625 X 8 NC, G5

4440998 MANUAL HOLDER

4440997 PLUG HOLDER

4420262 PIN, 1 X 7.25, HEADED

4420839 SIDE WIND JACK, DLQ

150222 LOCK WASHER, .625, PLTD  
 150010 NUT, .625 NC, PLTD

4441048 CLEVIS PIN

4440918 BULL PULL HITCH, CAT 4  
**(OR)**

4420532-HD HITCH CLEVIS

Available:

4441023 SAFETY CHAIN, PAIR

DRAWN BY	RICH SMOTHERS	6/2/2014
CHECKED BY		
PRINT DATE		12/19/2022
CONFIG.	Default	
COMMENTS:		

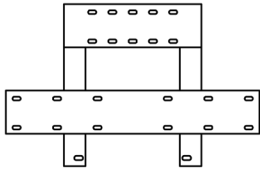


**PROPRIETARY AND CONFIDENTIAL**  
 THE INFORMATION CONTAINED IN THIS DRAWING IS THE SOLE PROPERTY OF DALTON AG. ANY REPRODUCTION IN PART OR AS A WHOLE WITHOUT THE WRITTEN PERMISSION OF DALTON AG IS PROHIBITED.

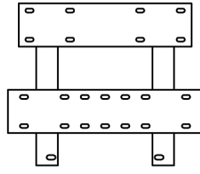
DWG: DLQ TONGUE - JACK AND HITCH OPTIONS

SIZE	SHEET TITLE:	REV
<b>A</b>	Sheet1	<b>A</b>
SCALE: 1:16	SHEET 1 OF 1	

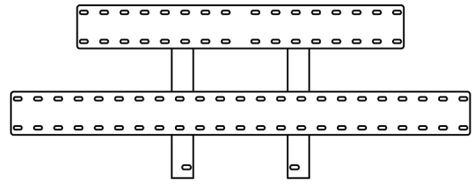
# DLQ HD TOOLBAR CONTROL ARM



4420840 DLQ FLOW MONITOR PANEL, 1



4420841 DLQ FLOW MONITOR PANEL, 2



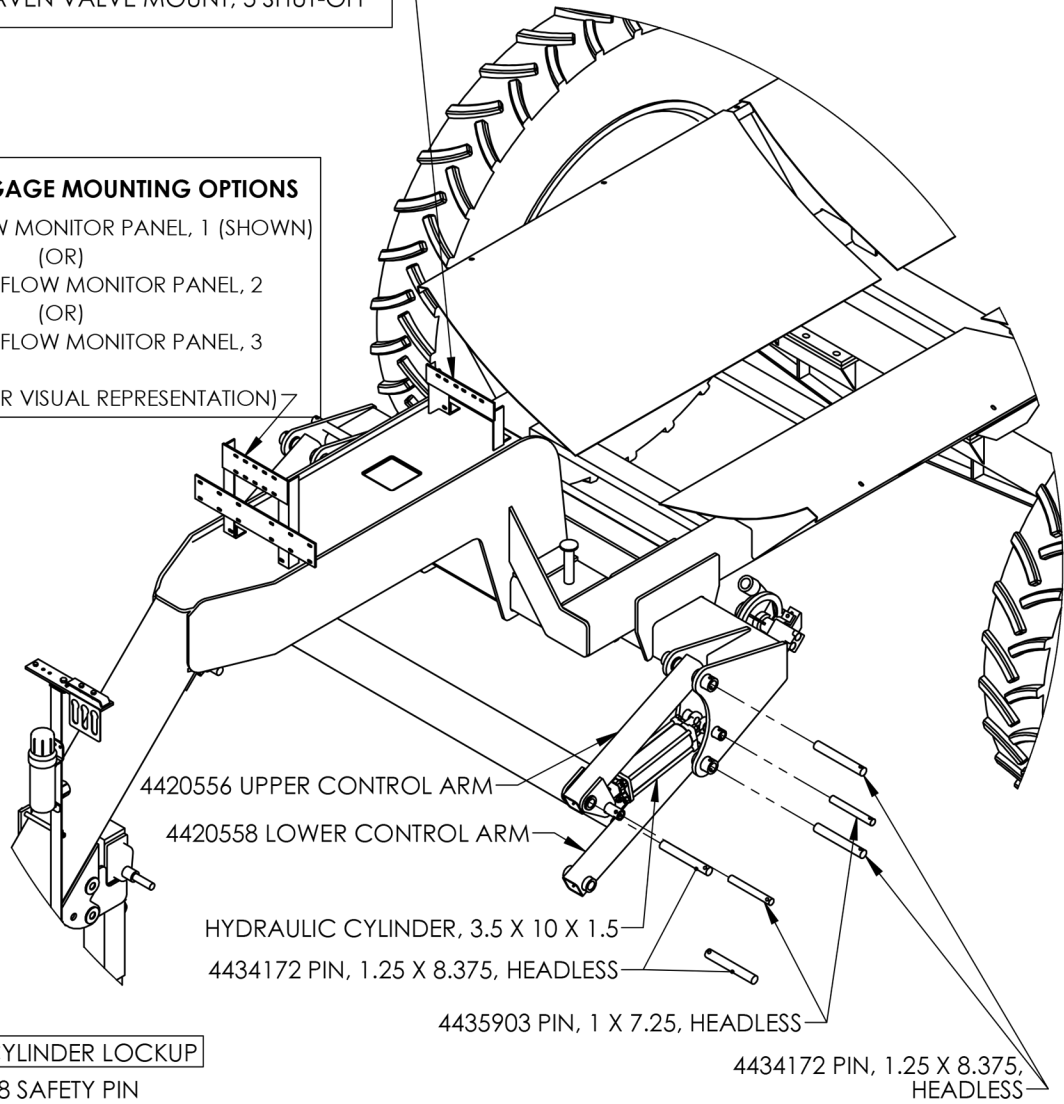
4421296 DLQ FLOW MONITOR PANEL, 3

## RAVEN SHUTOFF MOUNTING OPTIONS

4420842 RAVEN VALVE MOUNT, 3 SHUT-OFF  
**(OR)**  
 4420917 RAVEN VALVE MOUNT, 5 SHUT-OFF

## VISIFLO GAGE MOUNTING OPTIONS

4420840 DLQ FLOW MONITOR PANEL, 1 (SHOWN)  
 (OR)  
 4420841 DLQ FLOW MONITOR PANEL, 2  
 (OR)  
 4421296 DLQ FLOW MONITOR PANEL, 3  
 (SEE ABOVE FOR VISUAL REPRESENTATION)



TB 4410231-10, CYLINDER LOCKUP  
 WITH 640028 SAFETY PIN

DRAWN BY	RICH SMOTHERS	6/2/2014
CHECKED BY		
PRINT DATE		12/16/2022
CONFIG.	Default	
COMMENTS:		

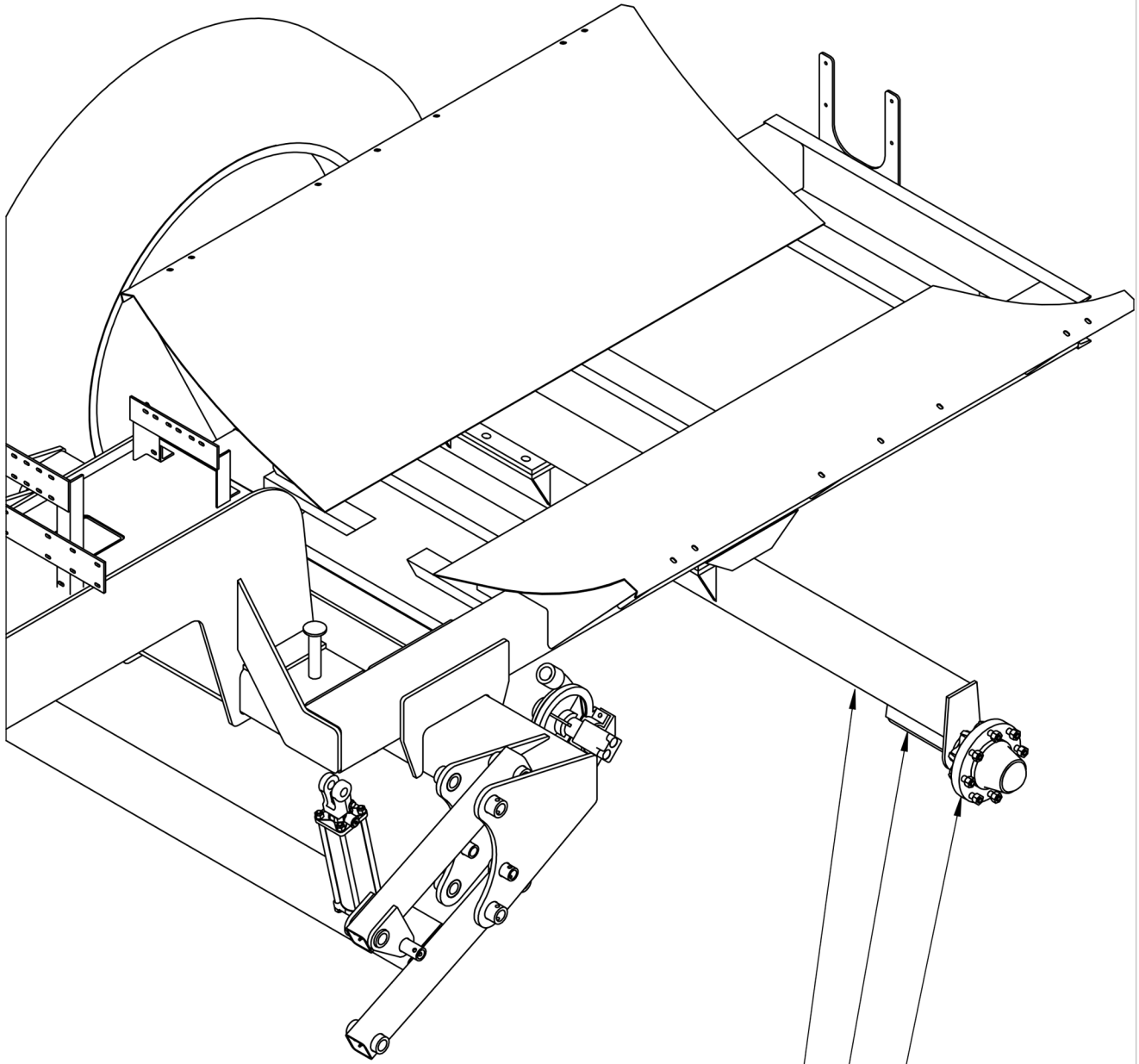


**PROPRIETARY AND CONFIDENTIAL**  
 THE INFORMATION CONTAINED IN THIS DRAWING IS THE SOLE PROPERTY OF DALTON AG. ANY REPRODUCTION IN PART OR AS A WHOLE WITHOUT THE WRITTEN PERMISSION OF DALTON AG IS PROHIBITED.

DWG: DLQ HD TOOLBAR CONTROL ARM

SIZE	SHEET TITLE:	REV
<b>A</b>	Sheet1	<b>A</b>
SCALE: 1:18	SHEET 1 OF 1	

# DLQSTD AXLE, SPINDLE, AND HUB



4410196 AXLE, 8B, 120, ASSEMBLY

4420489 AXLE, 8B, 120, WELDMENT

S5199-K-00 3 X 18.25 SPINDLE

2001113, 758 8-BOLT HUB ASSEMBLY

DRAWN BY	RICH SMOTHERS	9/18/2015
CHECKED BY		
PRINT DATE	12/16/2022	
CONFIG.	Default	



**PROPRIETARY AND CONFIDENTIAL**  
 THE INFORMATION CONTAINED IN THIS DRAWING IS THE SOLE PROPERTY OF DALTON AG. ANY REPRODUCTION IN PART OR AS A WHOLE WITHOUT THE WRITTEN PERMISSION OF DALTON AG IS PROHIBITED.

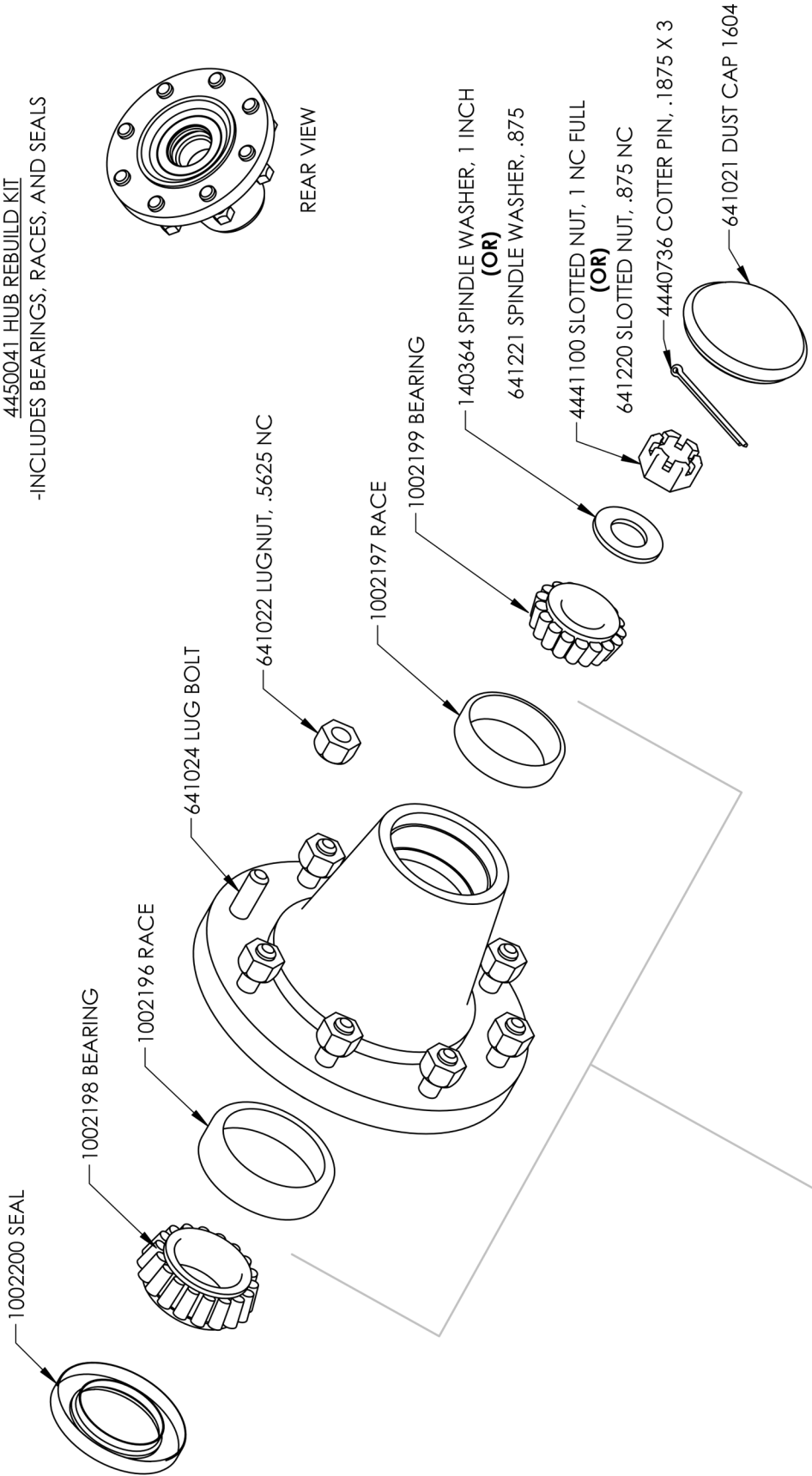
COMMENTS:

DWG: DLQSTD AXLE, SPINDLE, AND HUB		
SIZE <b>A</b>	SHEET TITLE: Sheet1	REV <b>A</b>
SCALE: 1:16	SHEET 1 OF 1	

# 1002194, 81908-BOLT HUB ASSEMBLY, COMPLETE

1002194, 819 8-BOLT HUB ASSEMBLY, COMPLETE

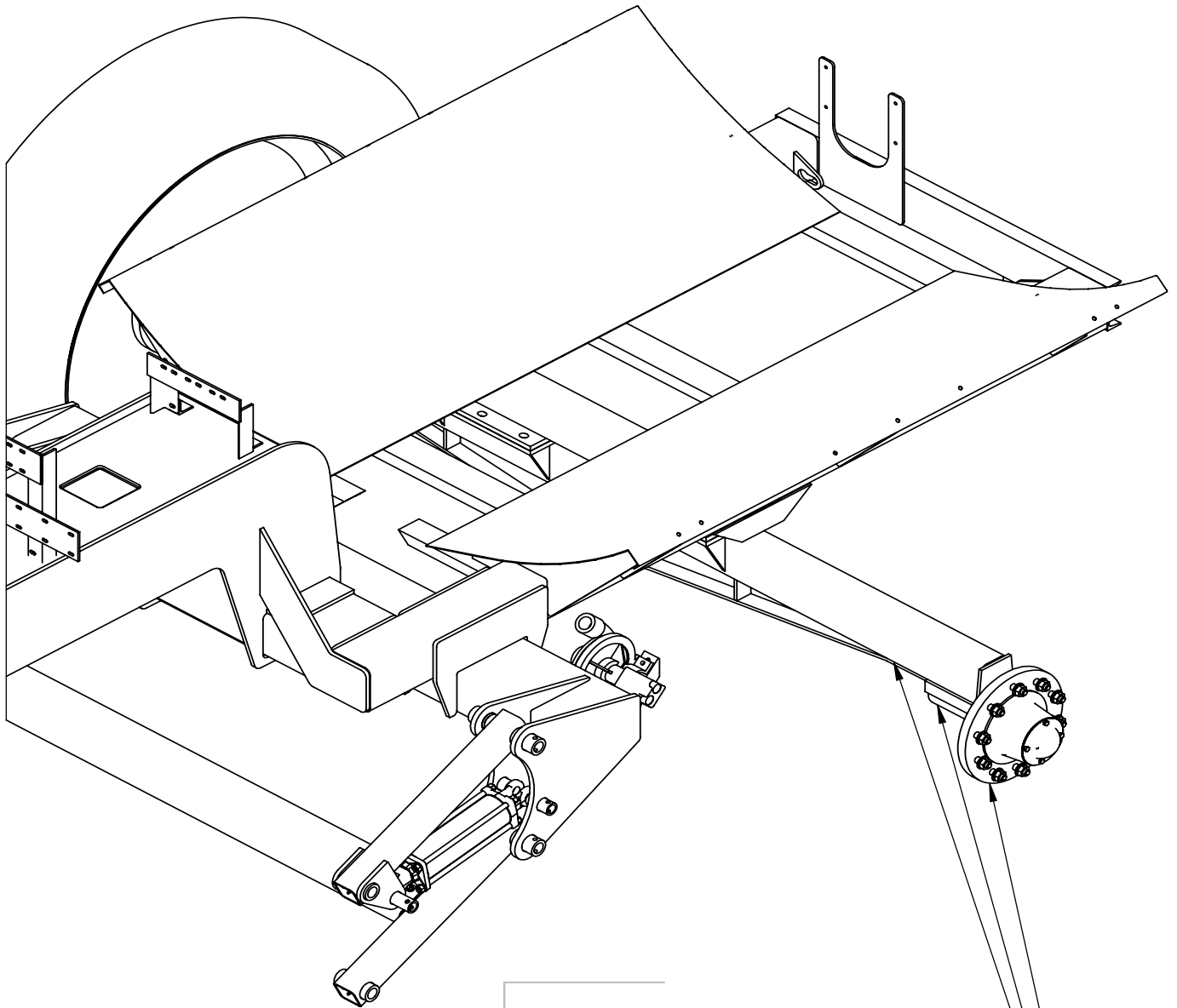
4450041 HUB REBUILD KIT  
-INCLUDES BEARINGS, RACES, AND SEALS



1002191, 819 8-BOLT HUB W RACES

<b>1002194, 819 8-BOLT HUB ASSEMBLY, COMPLETE</b>		DRAWN BY: RICH SMOTHERS CHECKED BY: PRINT DATE: 4/29/2024 CONFIG: Default COMMENTS:	5/14/2009
PROPRIETARY AND CONFIDENTIAL THE INFORMATION CONTAINED IN THIS DRAWING IS THE SOLE PROPERTY OF DALTON AG. ANY REPRODUCTION IN PART OR AS A WHOLE WITHOUT THE WRITTEN PERMISSION OF DALTON AG IS PROHIBITED.		DWG: 1002194, 819 8-BOLT HUB ASSEMBLY, COMPLETE SIZE: A SHEET TITLE: Sheet1 REV: A SCALE: 1:4	SHEET 1 OF 1

# DLQHD AXLE, SPINDLE, AND HUB (EXCLUDING DLQHD 2000)



**4410352 AXLE, 10B, 120, TRUSSED, ASSEMBLY**

4420492 AXLE, 10B, 120, TRUSSED, WELDMENT

S-5296-L-12 SPINDLE, 3.50X16

4410248, 873 10-BOLT HUB ASSEMBLY, COMPLETE

DRAWN BY	RICH SMOTHERS	1/21/2015
CHECKED BY		
PRINT DATE	3/17/2017	
CONFIG.	Default	
COMMENTS:		

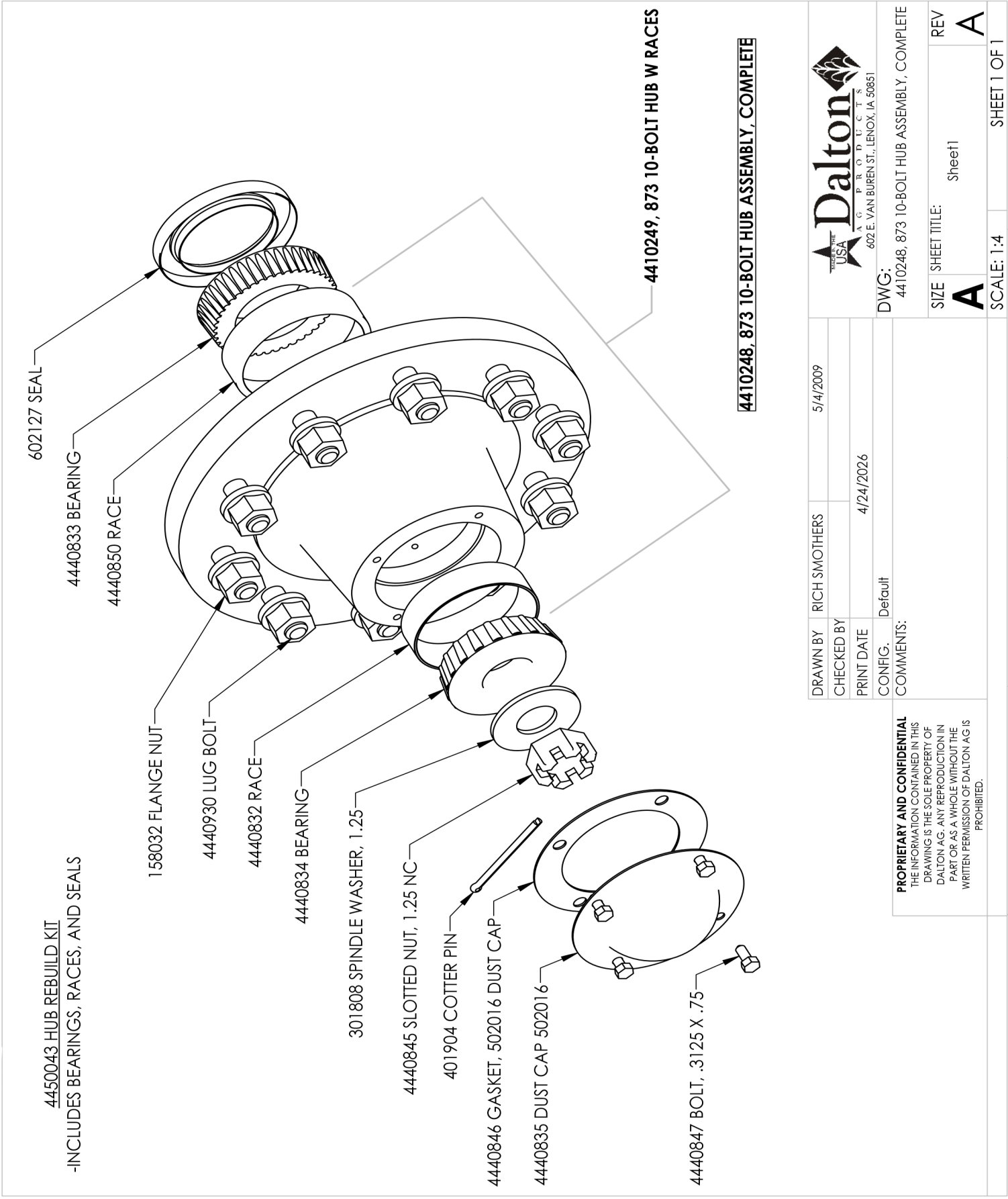


DWG: DLQHD AXLE, SPINDLE, AND HUB

**PROPRIETARY AND CONFIDENTIAL**  
THE INFORMATION CONTAINED IN THIS DRAWING IS THE SOLE PROPERTY OF DALTON AG. ANY REPRODUCTION IN PART OR AS A WHOLE WITHOUT THE WRITTEN PERMISSION OF DALTON AG IS PROHIBITED.

SIZE <b>A</b>	SHEET TITLE: Sheet1	REV <b>A</b>
SCALE: 1:16		SHEET 1 OF 1

# 4410248, 873 10 BOLT HUB ASSEMBLY, COMPLETE

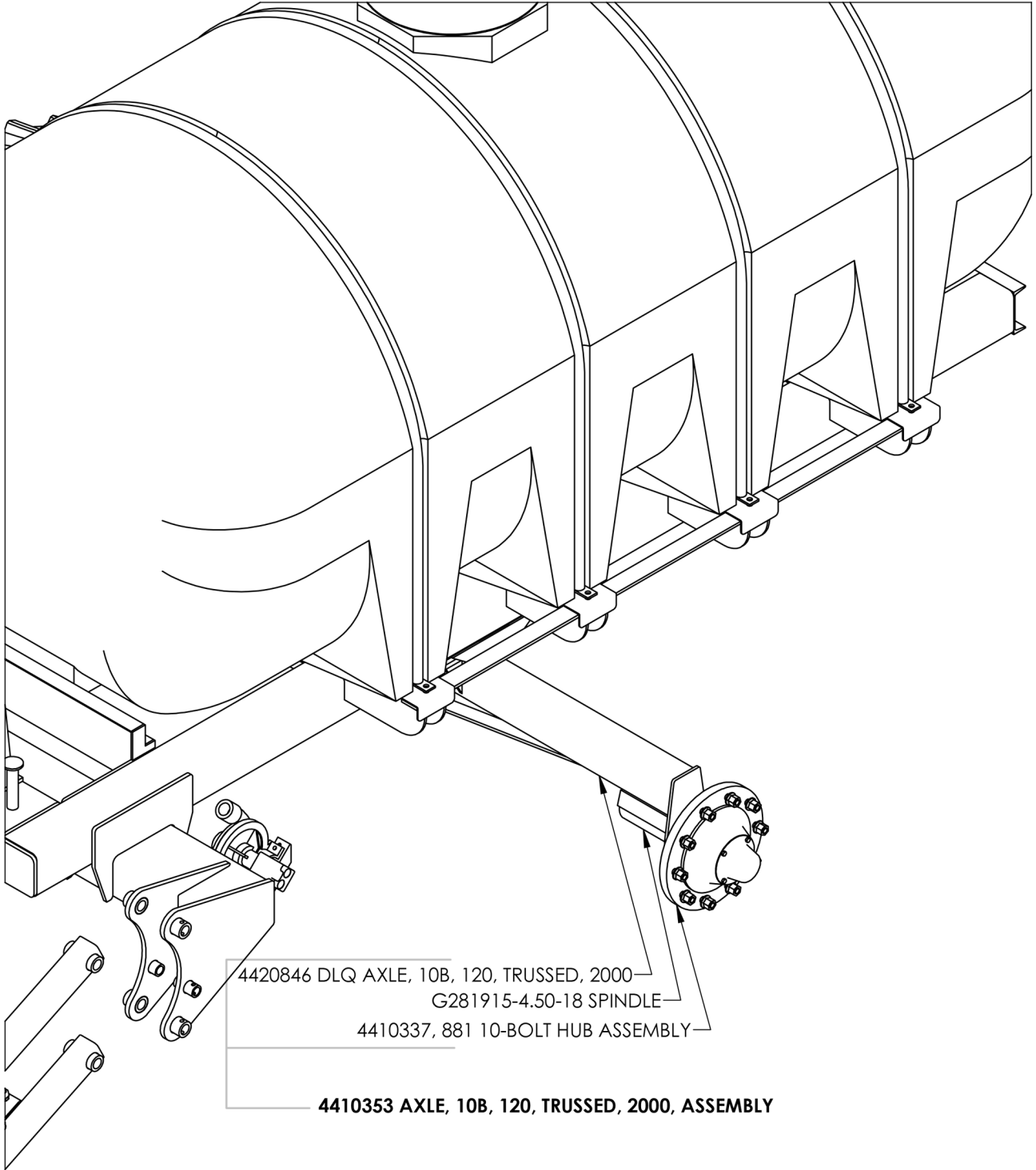


DRAWN BY	RICH SMOTHERS	5/4/2009
CHECKED BY		
PRINT DATE	4/24/2026	
CONFIG.	Default	
COMMENTS:		

DWG:	4410248, 873 10-BOLT HUB ASSEMBLY, COMPLETE		
SIZE	A	SHEET TITLE:	Sheet1
REV			A
SCALE:	1:4		SHEET 1 OF 1

**PROPRIETARY AND CONFIDENTIAL**  
THE INFORMATION CONTAINED IN THIS DRAWING IS THE SOLE PROPERTY OF DALTON AG. ANY REPRODUCTION IN PART OR AS A WHOLE WITHOUT THE WRITTEN PERMISSION OF DALTON AG IS PROHIBITED.

# DLQHD 2000 AXLE, SPINDLE, AND HUB



4420846 DLQ AXLE, 10B, 120, TRUSSED, 2000  
 G281915-4.50-18 SPINDLE  
 4410337, 881 10-BOLT HUB ASSEMBLY  
  
**4410353 AXLE, 10B, 120, TRUSSED, 2000, ASSEMBLY**

DRAWN BY	RICH SMOTHERS	6/2/2014
CHECKED BY		
PRINT DATE		12/16/2022
CONFIG.	Default	



**PROPRIETARY AND CONFIDENTIAL**  
 THE INFORMATION CONTAINED IN THIS DRAWING IS THE SOLE PROPERTY OF DALTON AG. ANY REPRODUCTION IN PART OR AS A WHOLE WITHOUT THE WRITTEN PERMISSION OF DALTON AG IS PROHIBITED.

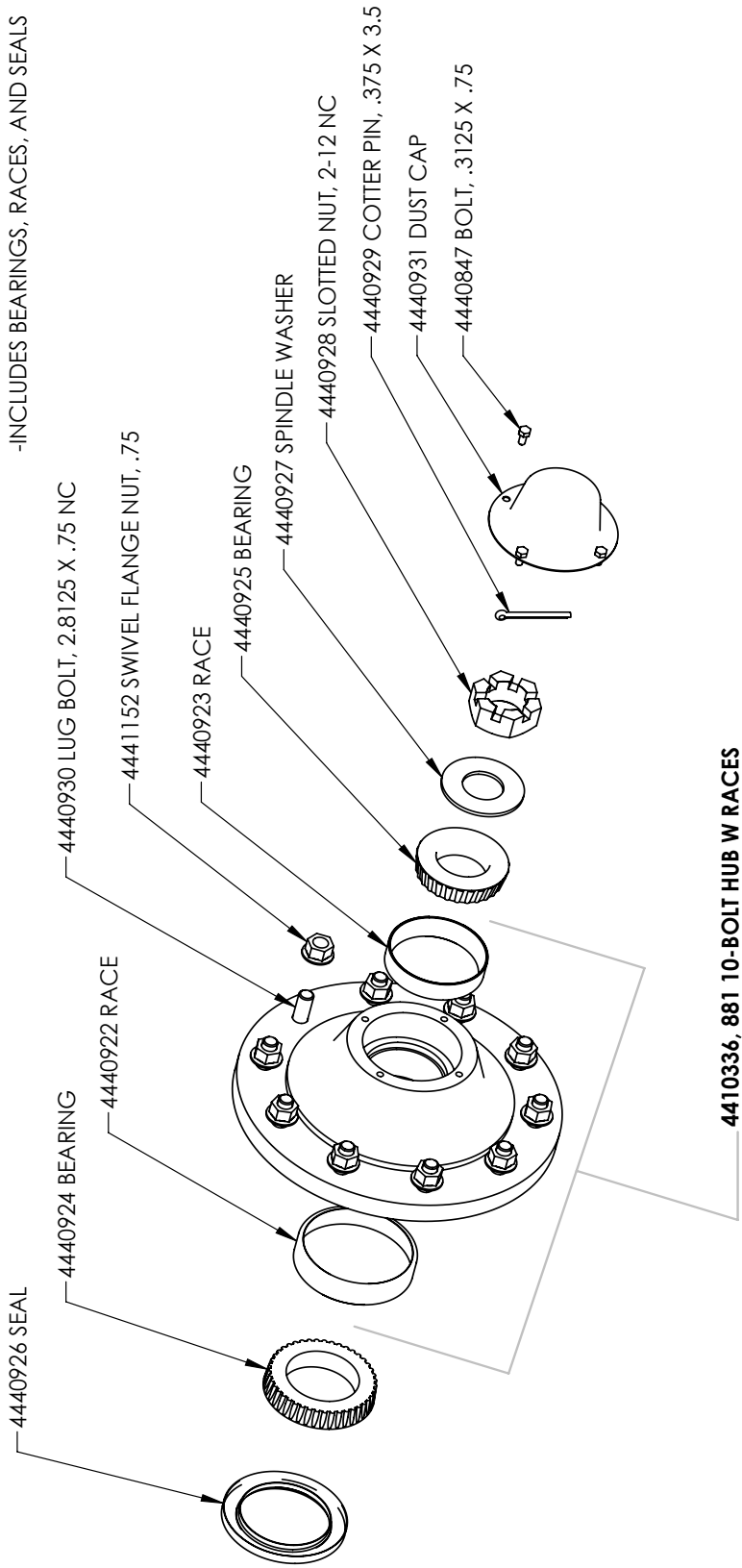
COMMENTS:

DWG: DLQHD 2000 AXLE, SPINDLE, AND HUB		
SIZE <b>A</b>	SHEET TITLE: Sheet1	REV <b>A</b>
SCALE: 1:16	SHEET 1 OF 1	

# 4410337, 881 10-BOLT HUB ASSEMBLY, COMPLETE

4410337, 881 10-BOLT HUB ASSEMBLY

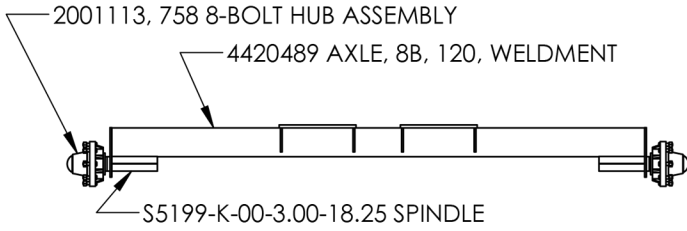
4450044 HUB REBUILD KIT  
-INCLUDES BEARINGS, RACES, AND SEALS



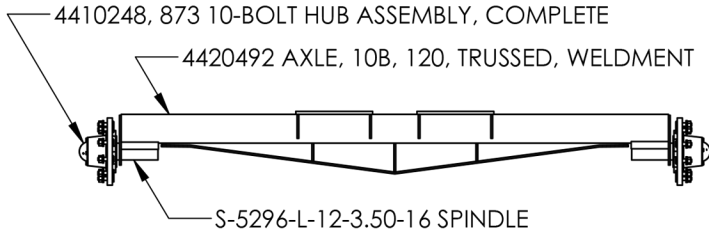
**4410337, 881 10-BOLT HUB ASSEMBLY**

DRAWN BY	RICH SMOTHERS	5/18/2015		
CHECKED BY				
PRINT DATE	12/13/2017			
CONFIG.	Default			
COMMENTS:				
<p><b>PROPRIETARY AND CONFIDENTIAL</b> THE INFORMATION CONTAINED IN THIS DRAWING IS THE SOLE PROPERTY OF DALTON A.G. ANY REPRODUCTION IN PART OR AS A WHOLE WITHOUT THE WRITTEN PERMISSION OF DALTON A.G IS PROHIBITED.</p>				
DWG:	4410337, 881 10-BOLT HUB ASSEMBLY			
SIZE	A	SHEET TITLE:	Sheet1	REV
SCALE:	1:8			A
			SHEET 1 OF 1	

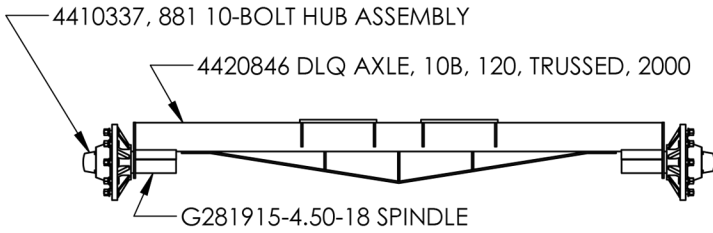
# AXLE ASSEMBLY



**4410196 AXLE, 8B, 120, ASSEMBLY**



**4410352 AXLE, 10B, 120, TRUSSED, ASSEMBLY**



**4410353 AXLE, 10B, 120, TRUSSED, 2000, ASSEMBLY**

**DLQ**

**DLQHD**

**DLQHD  
2000**

DRAWN BY	RICH SMOTHERS	12/27/2013
CHECKED BY		
PRINT DATE	2/7/2023	
CONFIG.	4410196 AXLE, 8B, 120, ASSEMBLY	



**PROPRIETARY AND CONFIDENTIAL**  
THE INFORMATION CONTAINED IN THIS DRAWING IS THE SOLE PROPERTY OF DALTON AG. ANY REPRODUCTION IN PART OR AS A WHOLE WITHOUT THE WRITTEN PERMISSION OF DALTON AG IS PROHIBITED.

COMMENTS:

DWG: DLQ AXLE SHEET

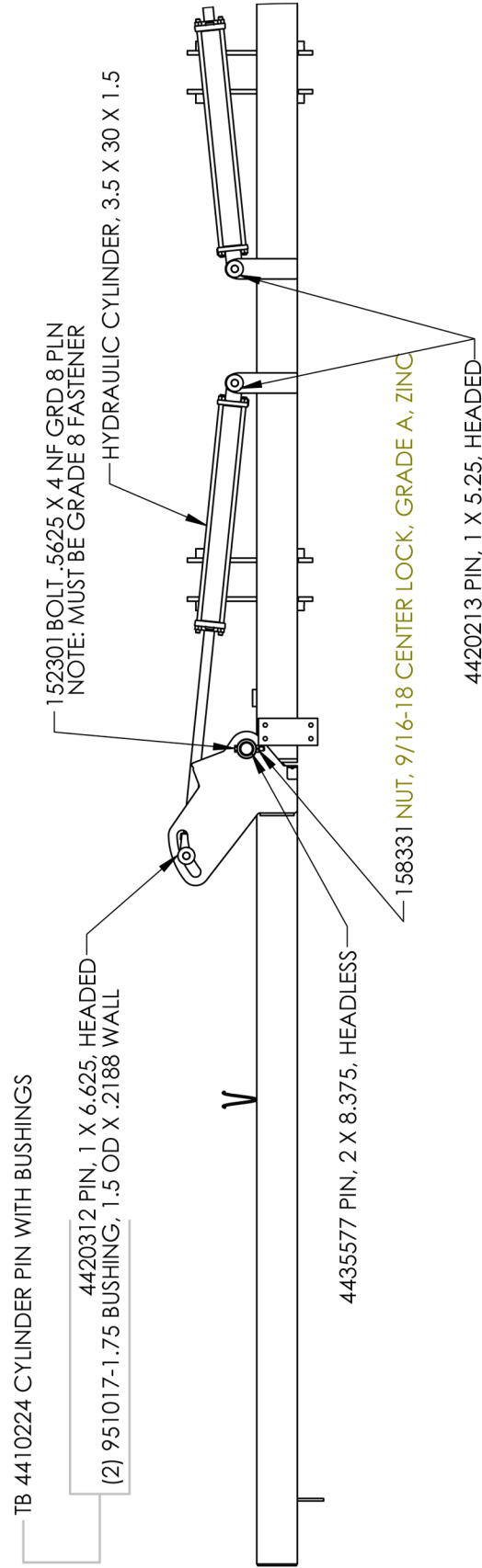
SIZE	SHEET TITLE:	REV
<b>A</b>	Sheet1	<b>A</b>

**FOR PARTS, CALL 1.800.342.7498**

SCALE: 1:36      SHEET 1 OF 1

# DLQ SINGLE LIFT TOOLBAR

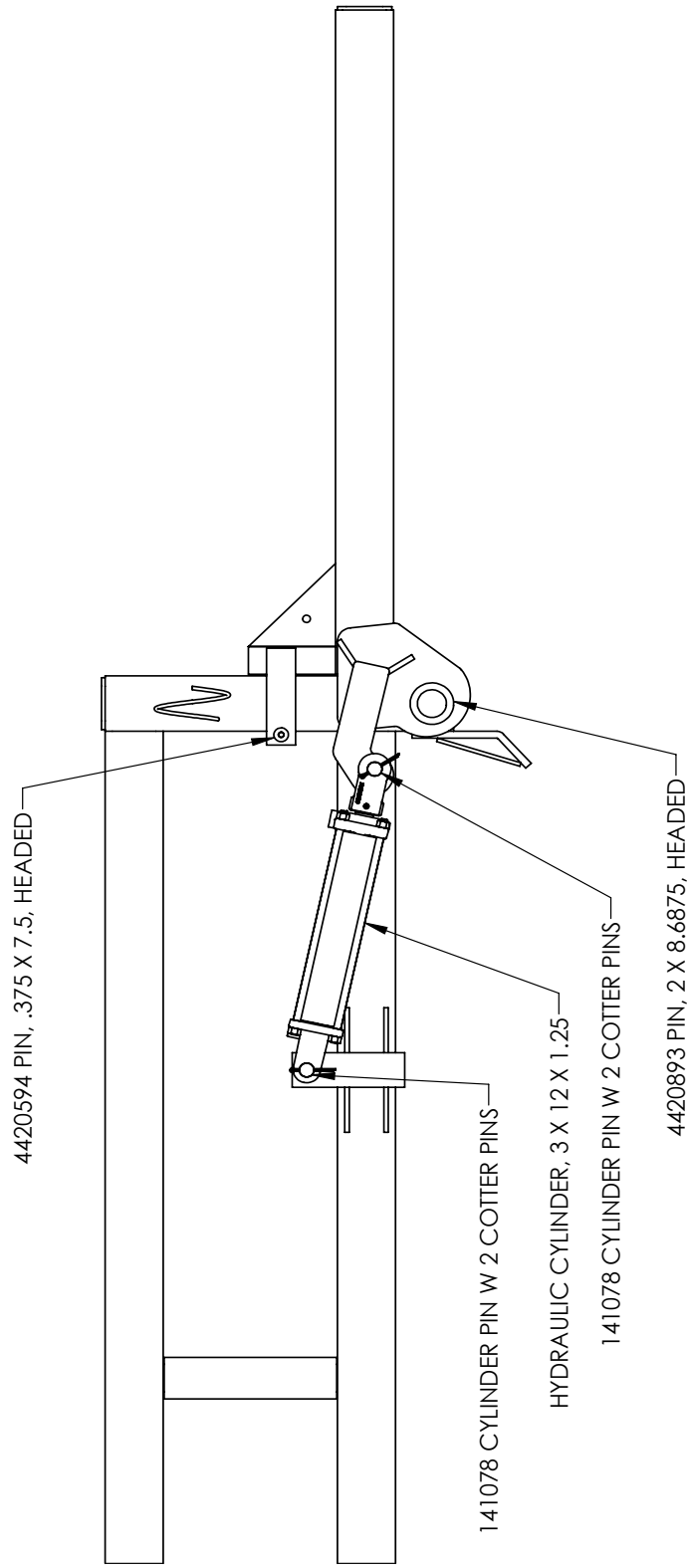
DLQ SINGLE LIFT TOOLBAR




<b>DRAWN BY</b>	RICH SMOTHERS	<b>DATE</b>	6/12/2015	<b>Dalton</b> A G P R O D U C T S 602 E. VAN BUREN ST., LENOX, IA 50851
<b>CHECKED BY</b>		<b>PRINT DATE</b>	6/25/2024	
<b>CONFIG.</b>	Default	<b>DWG:</b> DLQ SINGLE LIFT TOOLBAR		
<b>COMMENTS:</b>				<b>SIZE</b>
<b>PROPRIETARY AND CONFIDENTIAL</b> THE INFORMATION CONTAINED IN THIS DRAWING IS THE SOLE PROPERTY OF DALTON AG. ANY REPRODUCTION IN PART OR AS A WHOLE WITHOUT THE WRITTEN PERMISSION OF DALTON AG IS PROHIBITED.				Sheet1
				<b>REV</b>
				<b>A</b>
<b>SCALE:</b> 1:24				<b>SHEET 1 OF 1</b>

# DLQ FRONT FOLD TOOLBAR

DLQ FRONT FOLD TOOLBAR



DRAWN BY	RICH SMOTHERS	9/25/2015	 602 E. VAN BUREN ST., LENOX, IA 50851	
CHECKED BY				
PRINT DATE	9/19/2017		DWG:	DLQ FRONT FOLD TOOLBAR
CONFIG.	Default		SIZE	A
COMMENTS:			SHEET TITLE:	Sheet1
<b>PROPRIETARY AND CONFIDENTIAL</b> THE INFORMATION CONTAINED IN THIS DRAWING IS THE SOLE PROPERTY OF DALTON A.G. ANY REPRODUCTION IN PART OR AS A WHOLE WITHOUT THE WRITTEN PERMISSION OF DALTON A.G IS PROHIBITED.			REV	A
			SCALE: 1:12	SHEET 1 OF 1

5

4

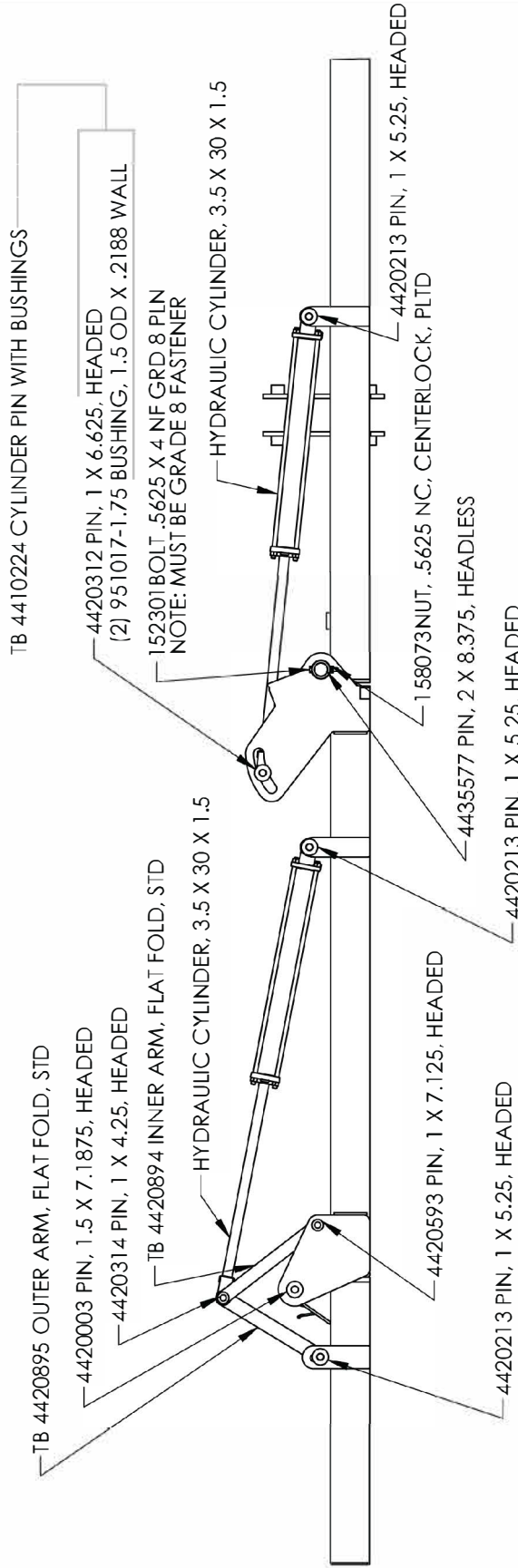
3

2

1

# DLQ DOUBLE LIFT TOOLBAR

DLQ DOUBLE LIFT TOOLBAR



DRAWN BY	RICH SMOTHERS	6/12/2015
CHECKED BY		
PRINT DATE	12/16/2022	
CONFG.	Default	

**Dalton**  
 USA  
 A. V. F. R. O. P. C. T. E.  
 602 E. VAN BUREN ST., LENOX, IA 50851

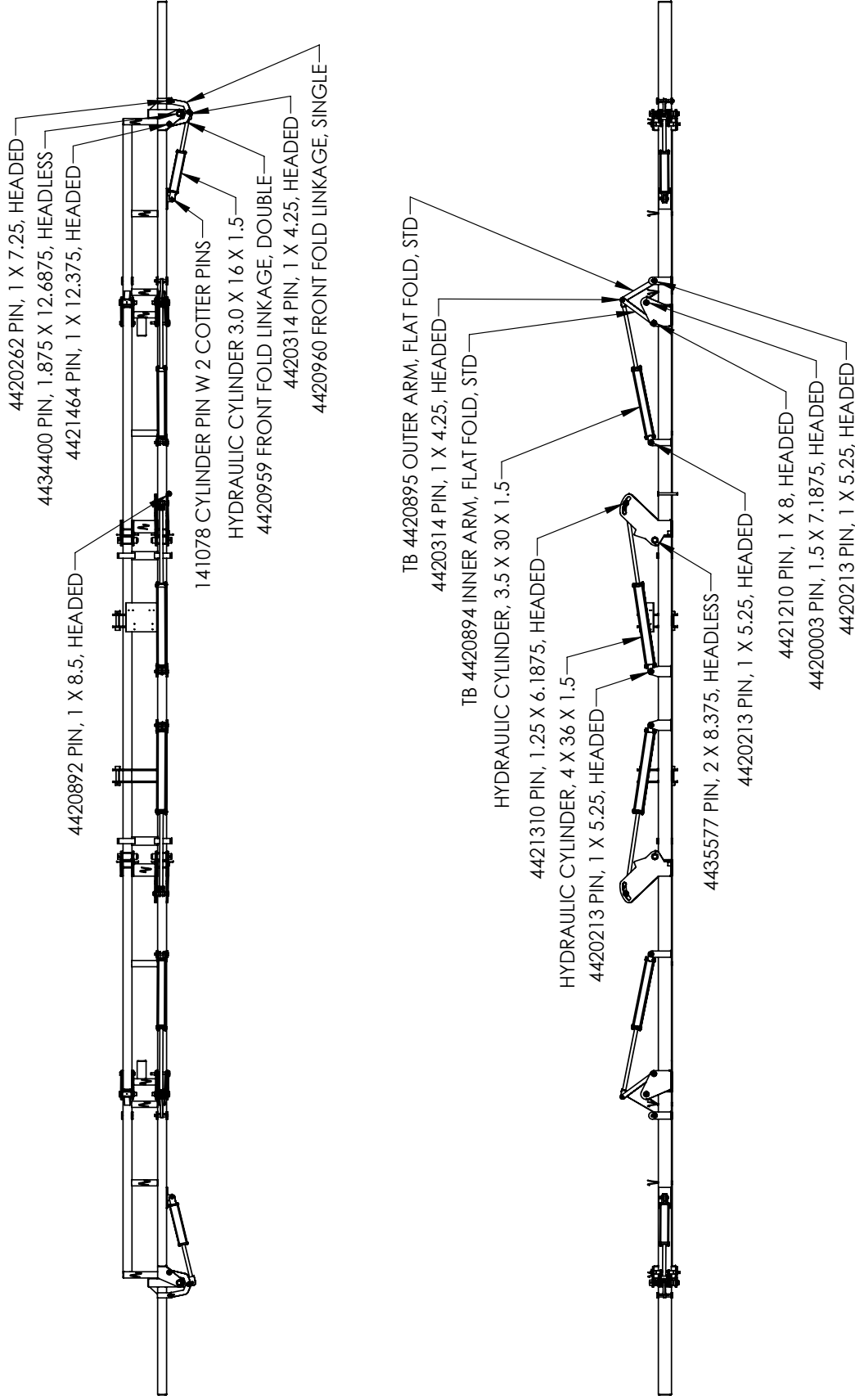
DWG: DLQ DOUBLE LIFT TOOLBAR

**PROPRIETARY AND CONFIDENTIAL**  
 THE INFORMATION CONTAINED IN THIS DRAWING IS THE SOLE PROPERTY OF DALTON AG. ANY REPRODUCTION IN PART OR AS A WHOLE WITHOUT THE WRITTEN PERMISSION OF DALTON AG IS PROHIBITED.

SIZE	A	SHEET TITLE:	Sheet1	REV	A
SCALE:	1:24			SHEET 1 OF 1	

# DLQHD 60' TOOLBAR

DLQ HD - 60 FOOT TOOLBAR



DRAWN BY	RICH SMOTHERS	6/2/2014
CHECKED BY		
PRINT DATE	1/28/2019	
CONFIG.	Default	

**DWG:** DLQ HD - 60 FOOT TOOLBAR

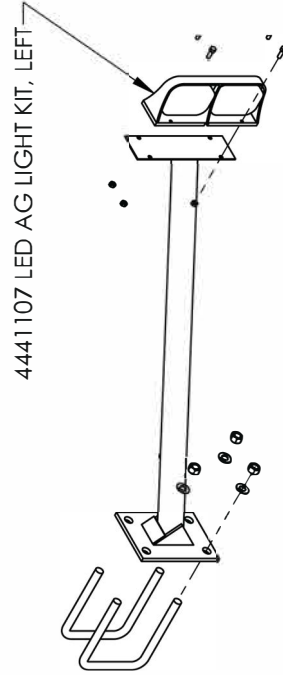
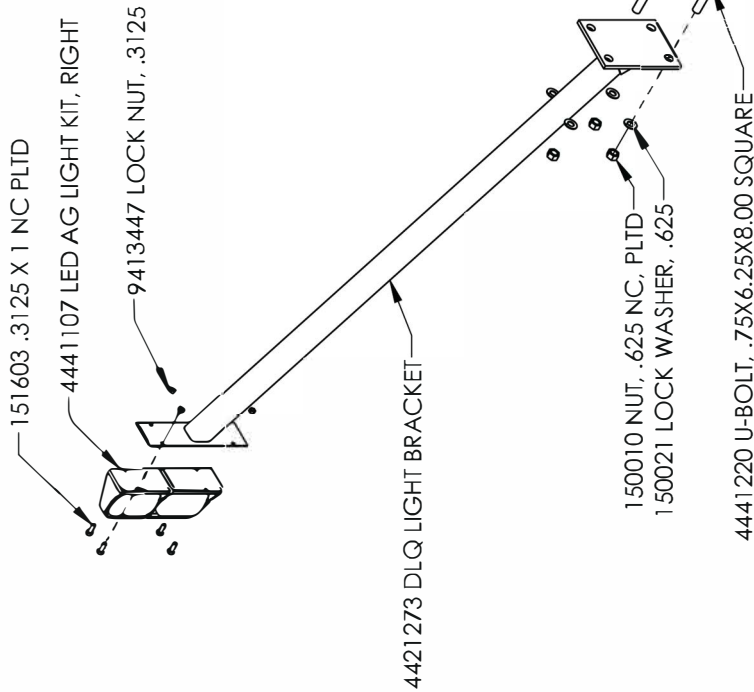
**USA Dalton**  
602 E. VAN BUREN ST., LENOX, IA 50851

PROPRIETARY AND CONFIDENTIAL  
THE INFORMATION CONTAINED IN THIS  
DRAWING IS THE SOLE PROPERTY OF  
DALTON A.G. ANY REPRODUCTION IN  
PART OR AS A WHOLE WITHOUT THE  
WRITTEN PERMISSION OF DALTON A.G IS  
PROHIBITED.

SIZE	A	SHEET TITLE:	Sheet1	REV	A
SCALE:	1:66			SHEET 1 OF 1	







[4410545 DLQ LIGHT]

DRAWN BY	RICH SMOTHERS	2/16/2017
CHECKED BY		
PRINT DATE	9/27/2023	
CONFIG.	Default	
COMMENTS:		

**USA**  
**Dalton**  
 A G P R O D U C T S  
 602 E. VAN BUREN ST., LENOX, IA 50851

DWG: DLQ LIGHT KIT

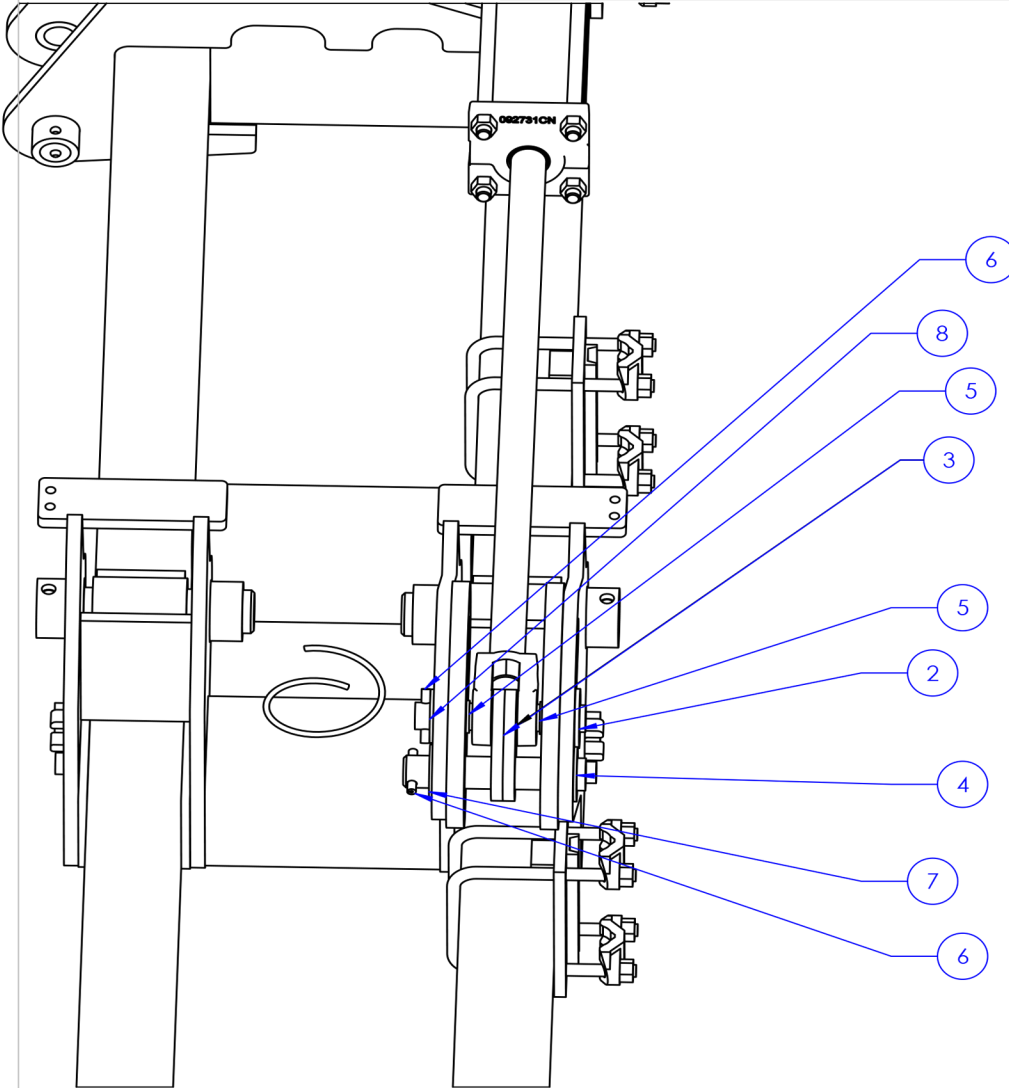
SIZE	A	SHEET TITLE:	Sheet1	REV	B
SCALE:	1:16			SHEET 1 OF 1	

**PROPRIETARY AND CONFIDENTIAL**  
THE INFORMATION CONTAINED IN THIS DRAWING IS THE SOLE PROPERTY OF DALTON A.G. ANY REPRODUCTION IN PART OR AS A WHOLE WITHOUT THE WRITTEN PERMISSION OF DALTON A.G. IS PROHIBITED.

5	4	3	2	1
---	---	---	---	---

# DLQHD - 60 FOOT DOWNPRESSURE

ITEM NO.	PART NUMBER	DESCRIPTION	QTY.
1	4435577	PIN, 2 X 8.438, HEADLESS	2
2	4421310	PIN, 1.25 X 6.1875, HEADED	1
3	4434378	DLQ PIN LINKAGE, HD	2
4	4420920	DLQ LINKAGE PIN	1
5	951044-1.5	TUBE 1.50 X 12 GA WALL	2
6	158014	ROLL PIN, .375 X 2.5	2
7	4434304	DLQ PIN LINKAGE WASHER	1
8	2001119	WASHER, SAE FLAT, 1.25 PLATED	1



**DLQ HD - 60 FOOT DOWNPRESSURE**

DRAWN BY	RICH SMOTHERS	6/12/2015
CHECKED BY		
PRINT DATE	4/10/2026	
CONFIG.	Default	
COMMENTS:		

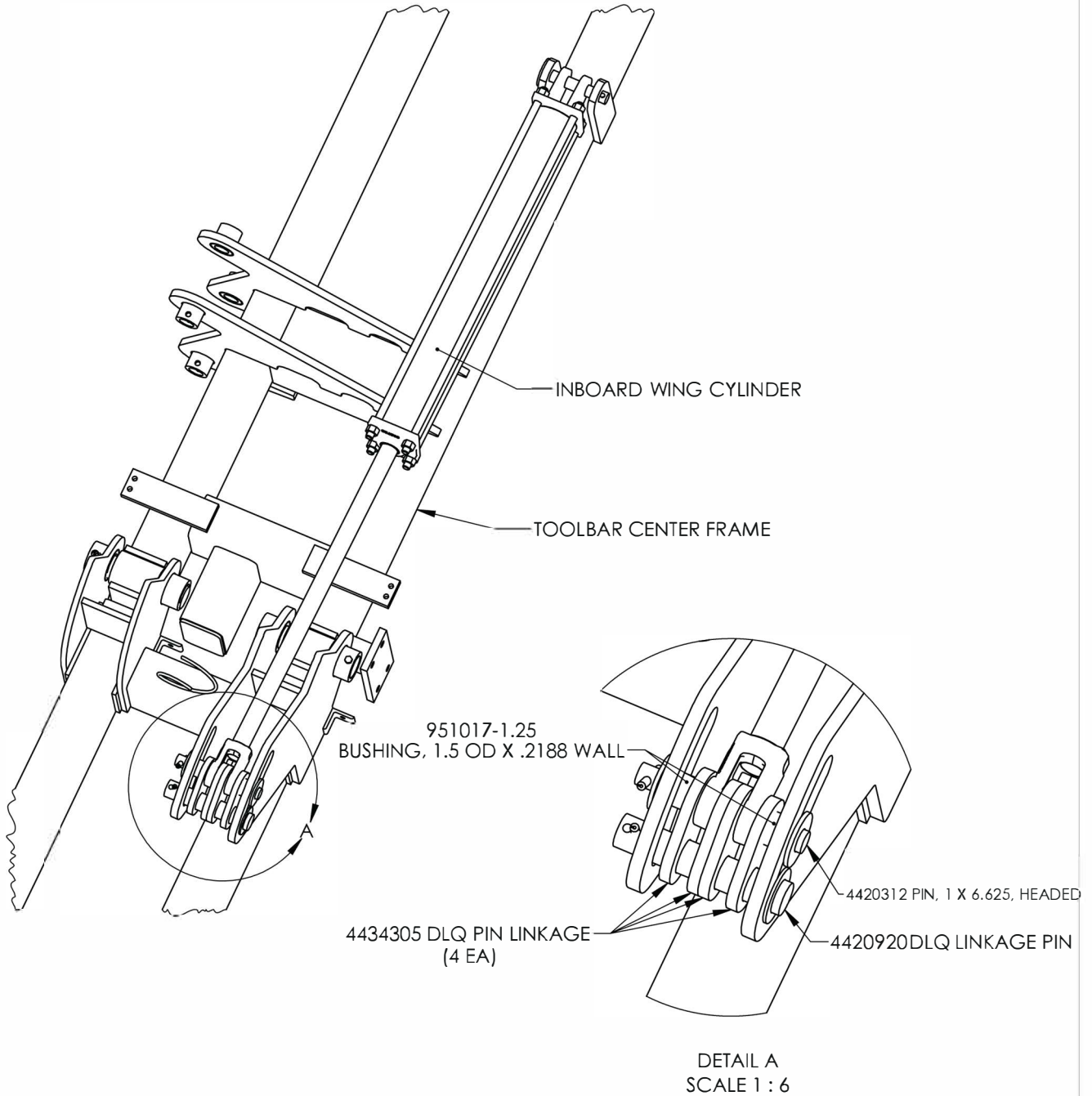


**PROPRIETARY AND CONFIDENTIAL**  
 THE INFORMATION CONTAINED IN THIS DRAWING IS THE SOLE PROPERTY OF DALTON AG. ANY REPRODUCTION IN PART OR AS A WHOLE WITHOUT THE WRITTEN PERMISSION OF DALTON AG IS PROHIBITED.

DWG: DLQ HD - 60 FOOT DOWNPRESSURE		
SIZE <b>A</b>	SHEET TITLE: Sheet1	REV <b>B</b>
SCALE: 1:8	SHEET 1 OF 1	

**FOR PARTS, CALL 1.800.342.7498**

# DLQ DOWNPRESSURE KIT



## DLQ DOWNPRESSURE KIT

DRAWN BY	RICH SMOTHERS	6/12/2015
CHECKED BY		
PRINT DATE	12/16/2022	
CONFIG.	Default	

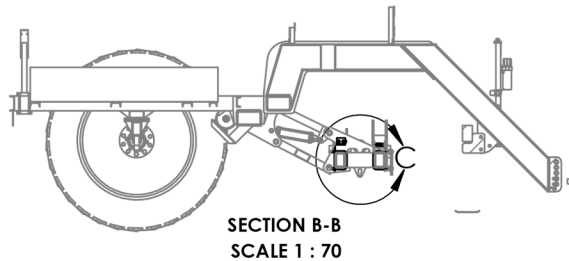
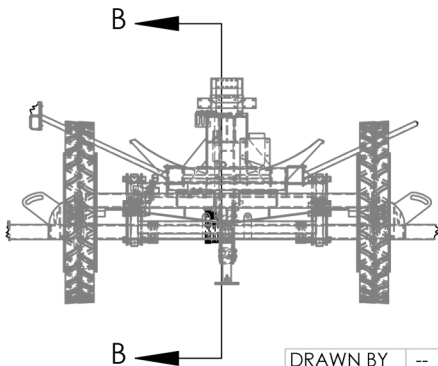
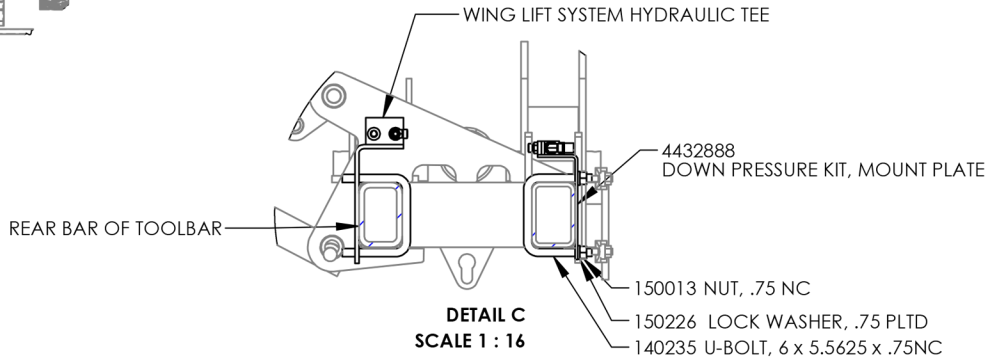
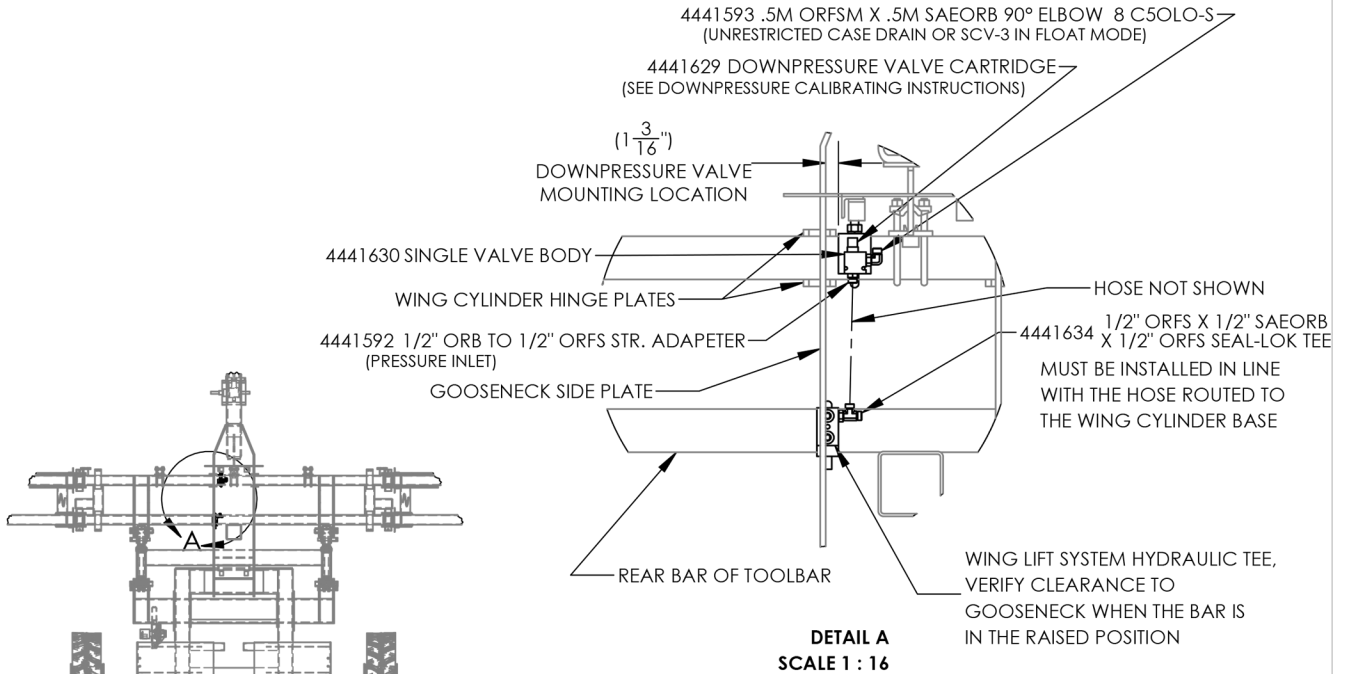


**PROPRIETARY AND CONFIDENTIAL**  
 THE INFORMATION CONTAINED IN THIS DRAWING IS THE SOLE PROPERTY OF DALTON AG. ANY REPRODUCTION IN PART OR AS A WHOLE WITHOUT THE WRITTEN PERMISSION OF DALTON AG IS PROHIBITED.

COMMENTS:

DWG:	DLQ DOWNPRESSURE KIT	
SIZE	SHEET TITLE:	REV
<b>A</b>	Sheet1	<b>A</b>
SCALE: 1:96	SHEET 1 OF 1	

# DLQ DOWNPRESSURE MOUNT & HARDWARE



DRAWN BY	--	12/22/2022
CHECKED BY		
PRINT DATE		1/16/2023
CONFIG.	Default	
COMMENTS:		



**PROPRIETARY AND CONFIDENTIAL**  
THE INFORMATION CONTAINED IN THIS DRAWING IS THE SOLE PROPERTY OF DALTON AG. ANY REPRODUCTION IN PART OR AS A WHOLE WITHOUT THE WRITTEN PERMISSION OF DALTON AG IS PROHIBITED.

DWG:  
DLQ DOWNPRESSURE MOUNT AND HARDWARE

SIZE	SHEET TITLE:	REV
<b>A</b>	Sheet1	<b>A</b>

**FOR PARTS, CALL 1.800.342.7498**

SCALE: 1:192 SHEET 1 OF 2

# DLQ DOWNPRESSURE CALIBRATION

## DOWNPRESSURE CALIBRATION INSTRUCTIONS

NOTE: THIS PROCEDURE IS ONLY REQUIRED IF YOU PURCHASE THE DOWNPRESSURE FUNCTION AS AN UPGRADE TO AN EXISTING MACHINE OR YOU ARE DOING A FIELD REPLACEMENT OF THE DOWNPRESSURE VALVE. ANY DOWNPRESSURE SYSTEM THAT IS SHIPPED FROM DALTON AG INSTALLED ON A LIQUID APPLICATOR TOOLBAR WILL BE CALIBRATED AT DALTON AG PRIOR TO SHIPPING.

\*FOR THE DOWNPRESSURE FUNCTION TO OPERATE PROPERLY, THE HYDRAULIC SYSTEM MUST BE CALIBRATED TO OPERATE AT 500 PSI WHILE THE DOWNPRESSURE FUNCTION IS ACTIVATED. INCORRECT CALIBRATION COULD RESULT IN LOSS/REDUCED FUNCTIONALITY OR DAMAGE TO THE MACHINE.

1. UNIT NEEDS TO BE IN FIELD READY POSITION.
2. ATTACH A PRESSURE GAUGE BY TAPPING INTO THE HYDRAULIC LINE THAT CONNECTS THE WING CYLINDER BASE PORTS.
3. SET SCV VALVE FOR WING CYLINDERS TO OPEN/EXTEND THE WINGS.
4. ADJUST 4441629 DOWNPRESSURE VALVE CARTRIDGE, TO 500 PSI MAX READOUT ON THE PRESSURE GAUGE. REMEMBER TO LOCK THE VALVE WHEN FINISHED SO IT DOES NOT LOSE IT'S CALIBRATION.

DRAWN BY	RICH SMOTHERS	12/22/2022
CHECKED BY		
PRINT DATE	1/16/2023	
CONFIG.	Default	



**PROPRIETARY AND CONFIDENTIAL**  
 THE INFORMATION CONTAINED IN THIS DRAWING IS THE SOLE PROPERTY OF DALTON AG. ANY REPRODUCTION IN PART OR AS A WHOLE WITHOUT THE WRITTEN PERMISSION OF DALTON AG IS PROHIBITED.

COMMENTS:

DWG: DLQ DOWNPRESSURE MOUNT AND HARDWARE		
SIZE <b>A</b>	SHEET TITLE: Sheet2	REV <b>A</b>

**FOR PARTS, CALL 1.800.342.7498**

SCALE: 1:192      SHEET 2 OF 2

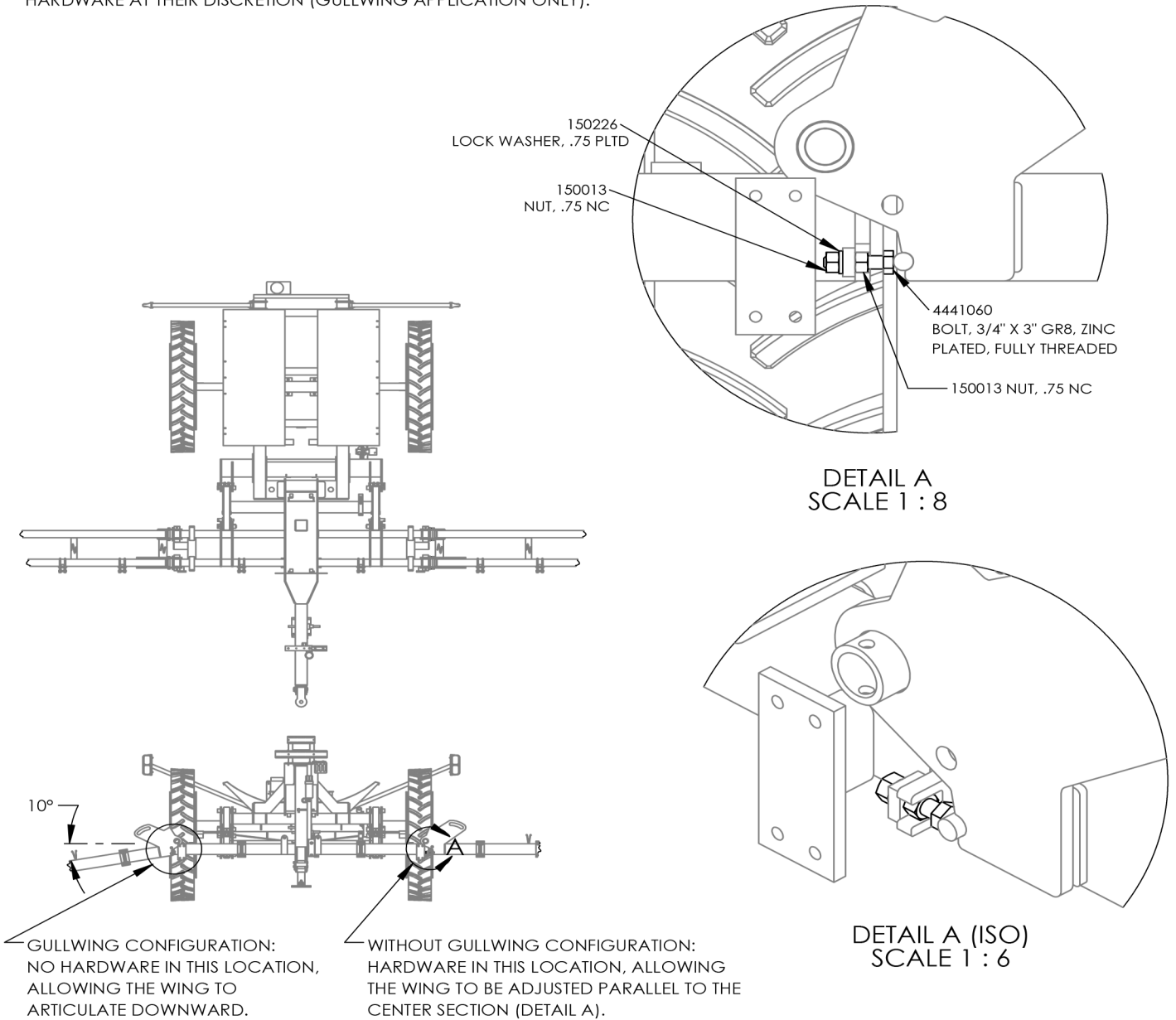
# CENTER SECTION HINGE CONFIGURATIONS

## DOUBLE RANK CENTER SECTION HINGE CONFIGURATION: WITH AND WITHOUT GULLWING APPLICATION

"WITHOUT GULLWING" APPLICATION: ADJUST THE FASTENER COMPONENTS SHOWN BELOW TO ACHIEVE LEVEL/PARALLEL RELATIONSHIP BETWEEN CENTER SECTION AND THE WINGS (DETAIL A).

"WITH GULLWING" APPLICATION: CUSTOMER CAN REMOVE THE FASTENER COMPONENTS SHOWN BELOW, WHICH WILL ALLOW THE TOOLBAR TO ARTICULATE DOWNWARD.

NOTE: ALL LIQUID APPLICATORS WILL BE SHIPPED WITH THE HARDWARE INSTALLED AS SHOWN BELOW, CUSTOMER TO REMOVE HARDWARE AT THEIR DISCRETION (GULLWING APPLICATION ONLY).



GULLWING CONFIGURATION:  
NO HARDWARE IN THIS LOCATION,  
ALLOWING THE WING TO  
ARTICULATE DOWNWARD.

WITHOUT GULLWING CONFIGURATION:  
HARDWARE IN THIS LOCATION, ALLOWING  
THE WING TO BE ADJUSTED PARALLEL TO THE  
CENTER SECTION (DETAIL A).

DRAWN BY	--	12/22/2022
CHECKED BY		
PRINT DATE		5/7/2025
CONFIG.	Default	



**PROPRIETARY AND CONFIDENTIAL**  
THE INFORMATION CONTAINED IN THIS  
DRAWING IS THE SOLE PROPERTY OF  
DALTON AG. ANY REPRODUCTION IN  
PART OR AS A WHOLE WITHOUT THE  
WRITTEN PERMISSION OF DALTON AG IS  
PROHIBITED.

COMMENTS:

DWG: CENTER SECTION HINGE CONFIGURATIONS		
SIZE <b>A</b>	SHEET TITLE: DOUBLE RANK	REV <b>A</b>
SCALE: 1:192	SHEET 1 OF 2	

**FOR PARTS, CALL 1.800.342.7498**

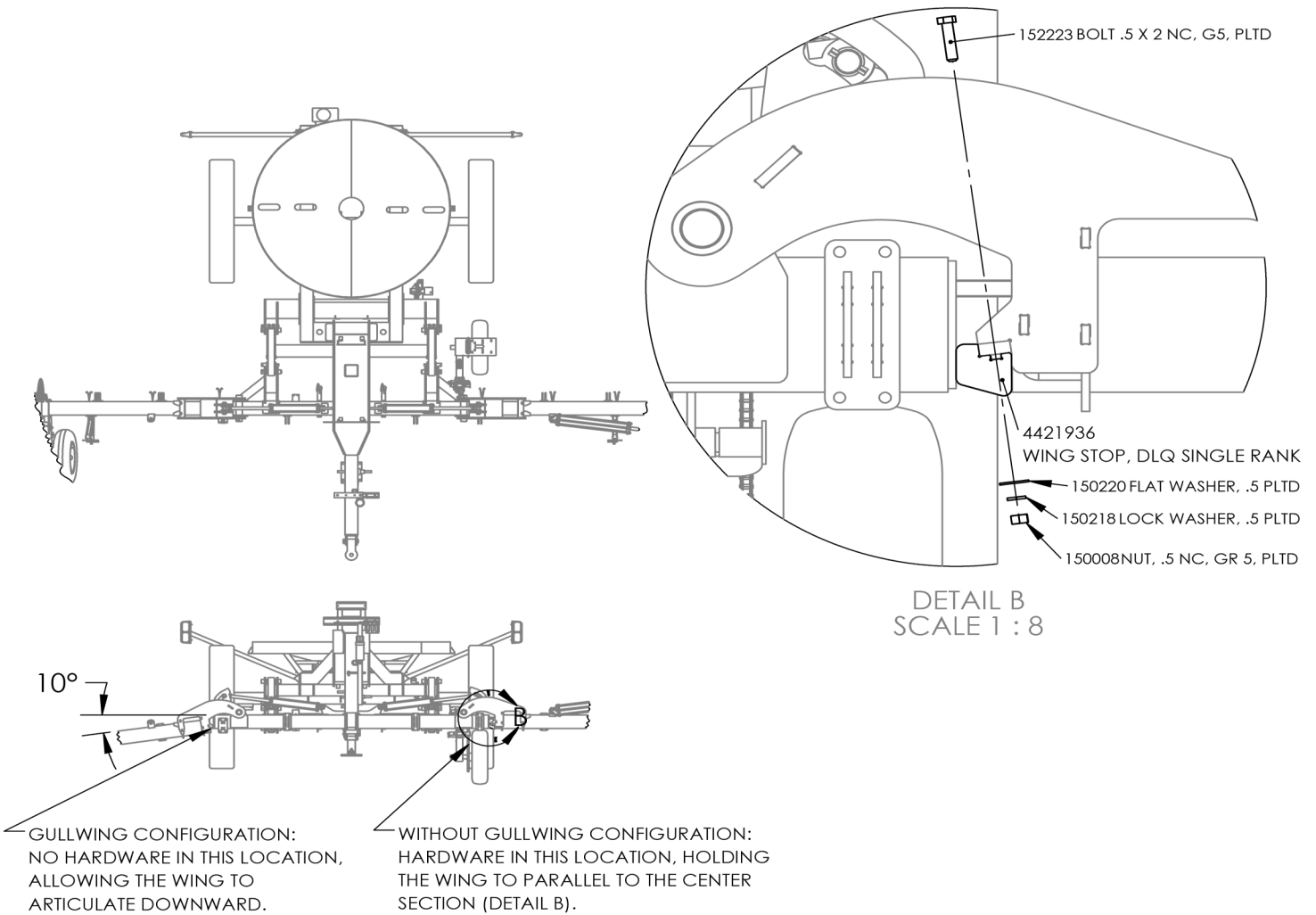
# CENTER SECTION HINGE CONFIGURATIONS CONT.

## SINGLE RANK CENTER SECTION HINGE CONFIGURATION: WITH AND WITHOUT GULLWING APPLICATION

"WITHOUT GULLWING" APPLICATION: INSTALL THE FASTENER COMPONENTS SHOWN BELOW TO ACHIEVE LEVEL/PARALLEL RELATIONSHIP BETWEEN CENTER SECTION AND THE WINGS (DETAIL B).

"WITH GULLWING" APPLICATION: CUSTOMER CAN REMOVE THE FASTENER COMPONENTS SHOWN BELOW, WHICH WILL ALLOW THE TOOLBAR TO ARTICULATE DOWNWARD.

NOTE: ALL LIQUID APPLICATORS WILL BE SHIPPED WITH THE HARDWARE INSTALLED AS SHOWN BELOW, CUSTOMER TO REMOVE HARDWARE AT THEIR DISCRETION (GULLWING APPLICATION ONLY).



DRAWN BY	RICH SMOTHERS	12/22/2022
CHECKED BY		
PRINT DATE	5/7/2025	
CONFIG.	Default	



**PROPRIETARY AND CONFIDENTIAL**  
THE INFORMATION CONTAINED IN THIS DRAWING IS THE SOLE PROPERTY OF DALTON AG. ANY REPRODUCTION IN PART OR AS A WHOLE WITHOUT THE WRITTEN PERMISSION OF DALTON AG IS PROHIBITED.

COMMENTS:

DWG: CENTER SECTION HINGE CONFIGURATIONS		
SIZE <b>A</b>	SHEET TITLE: SINGLE RANK	REV <b>A</b>
SCALE: 1:192	SHEET 2 OF 2	

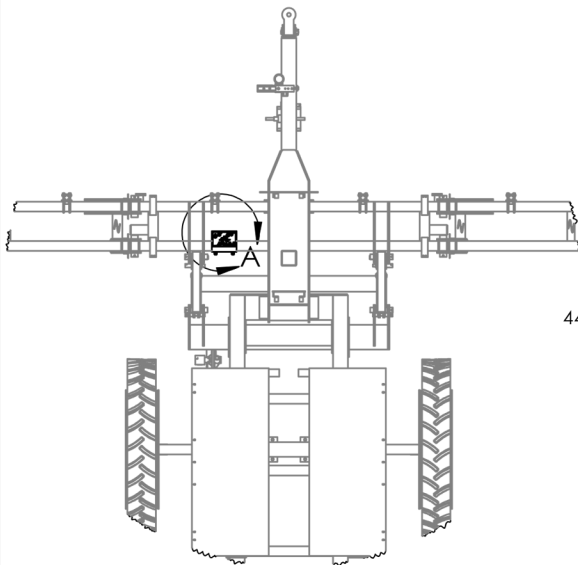
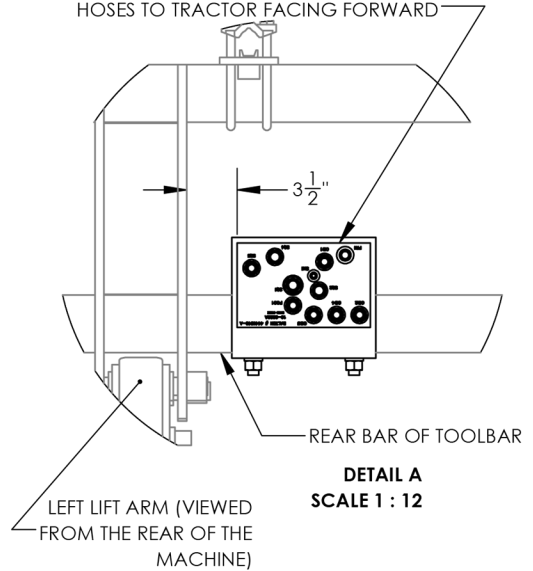
**FOR PARTS, CALL 1.800.342.7498**

# DLQ GULLWING MOUNT & HARDWARE

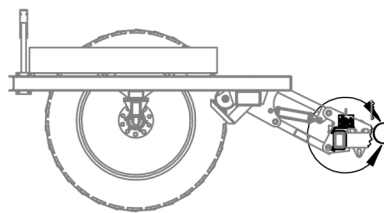
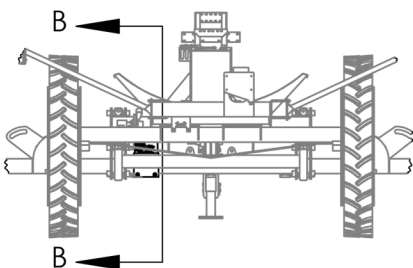
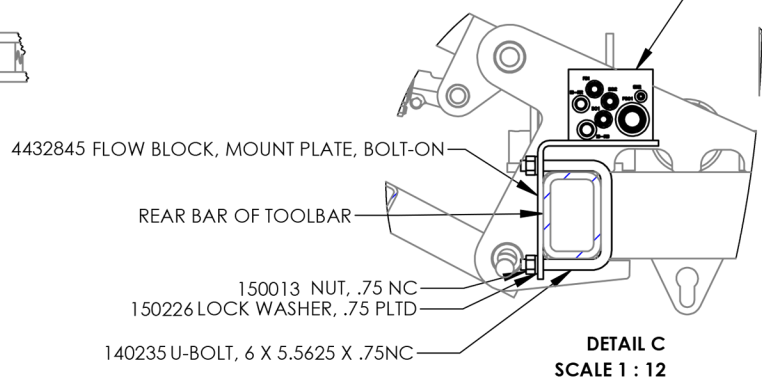
NOTE: GULL WING HYDRAULIC CONTROL BLOCK SHOWN WITHOUT VALVES AND FITTINGS

PORT LABEL	DESCRIPTION	NOTES
P-IB	SCV-1 PRESSURE	TO TRACTOR
P-T	SCV-1 RETURN	TO TRACTOR
P-OB	SCV-2 PRESSURE	TO TRACTOR
P-FF	SCV-2 RETURN	TO TRACTOR
TANK	UNRESTRICTED CASE DRAIN OR SCV-3 IN FLOAT MODE	TO TRACTOR
TL-RR	TOOLBAR LIFT RIGHT ROD	
TL-RB	TOOLBAR LIFT RIGHT BASE	
TL-LR	TOOLBAR LIFT LEFT ROD	
TL-LB	TOOLBAR LIFT LEFT BASE	
IB-RR	INBOARD RIGHT ROD	
IB-RB	INBOARD RIGHT BASE	
IB-LR	INBOARD LEFT ROD	
IB-LB	INBOARD LEFT BASE	
OB-RR	OUTBOARD RIGHT ROD	PLUGGED IF NO OUTBOARD CYLINDERS
OB-RB	OUTBOARD RIGHT BASE	PLUGGED IF NO OUTBOARD CYLINDERS
OB-LR	OUTBOARD LEFT ROD	PLUGGED IF NO OUTBOARD CYLINDERS
OB-LB	OUTBOARD LEFT BASE	PLUGGED IF NO OUTBOARD CYLINDERS
FF-RR	FRONT FOLD RIGHT ROD	PLUGGED IF NO FRONT FOLD CYLINDERS
FF-RB	FRONT FOLD RIGHT BASE	PLUGGED IF NO FRONT FOLD CYLINDERS
FF-LR	FRONT FOLD LEFT ROD	PLUGGED IF NO FRONT FOLD CYLINDERS
FF-LB	FRONT FOLD LEFT BASE	PLUGGED IF NO FRONT FOLD CYLINDERS

MOUNTING ORIENTATION: PORTS FOR HYDR. HOSES TO TRACTOR FACING FORWARD



4441549-3 FLOW BLOCK, GULL WING, DLQ



SECTION B-B  
SCALE 1 : 70

DRAWN BY	--	12/22/2022
CHECKED BY		
PRINT DATE		1/16/2023
CONFIG.	Default	
COMMENTS:		



**PROPRIETARY AND CONFIDENTIAL**  
THE INFORMATION CONTAINED IN THIS DRAWING IS THE SOLE PROPERTY OF DALTON AG. ANY REPRODUCTION IN PART OR AS A WHOLE WITHOUT THE WRITTEN PERMISSION OF DALTON AG IS PROHIBITED.

DWG: DLQ GULLWING MOUNT AND HARDWARE

SIZE	SHEET TITLE:	REV
<b>A</b>	Sheet1	<b>A</b>

**FOR PARTS, CALL 1.800.342.7498**

SCALE: 1:192 SHEET 1 OF 2

## DLQ GULLWING OPERATION

### GULL WING OPERATING INSTRUCTIONS

- \*FOR THE PASSIVE DOWNFORCE TO BE ACTIVATED THE SCV'S NEED TO BE IN THE REQUIRED POSITIONS.
- \*FAILURE TO PROPERLY SET THE SCVS WILL ACTIVATE THE SYSTEM AT FULL PRESSURE AND MAY DAMAGE THE INBOARD CYLINDERS OR THE MACHINE MAY NOT OPERATE AS INTENDED.
- \*RECOMMENDED HYDRAULIC FLOW FOR SCV #1 AND SCV#2 IS 4-6 GPM. MORE FLOW WILL CAUSE THE CYLINDERS TO ACTIVATE TOO FAST AND MAY CAUSE DAMAGE TO THE MACHINE.

**HOSE CONNECTIONS:**

FLOW BLOCK PORT	SCV
P-IB	SCV-1 PRESSURE
P-T	SCV-1 RETURN
P-OB	SCV-2 PRESSURE
P-FF	SCV-2 RETURN
T	UNRESTRICTED CASE DRAIN OR SCV-3 IN FLOAT MODE

TO ACTIVATE THE PASSIVE DOWNFORCE FUNCTION:

- SCV-1 NEEDS TO BE IN THE FLOAT POSITION.
- SCV-2 PRESSURE NEEDS TO BE IN DETENT OR CONSTANT FLOW

\*\*\*FAILURE TO HAVE SCV-1, SCV-2, AND SCV-3/CASE DRAIN IN THE PROPER SETTINGS DURING OPERATION MAY DAMAGE THE INBOARD CYLINDERS AND CAUSE THE MACHINE TO NOT OPERATE PROPERLY.

### GULL WING DOWNPRESSURE CALIBRATION INSTRUCTIONS

NOTE: THIS PROCEDURE IS ONLY REQUIRED IF YOU PURCHASE THE GULL WING FUNCTION AS AN UPGRADE TO AN EXISTING MACHINE OR YOU ARE DOING A FIELD REPLACEMENT OF THE FLOW BLOCK. ANY FLOW BLOCK THAT IS SHIPPED FROM DALTON AG INSTALLED ON A LIQUID APPLICATOR TOOLBAR WILL BE CALIBRATED AT DALTON AG PRIOR TO SHIPPING.

\*FOR THE DOWNPRESSURE FUNCTION TO OPERATE PROPERLY, THE HYDRAULIC SYSTEM MUST BE CALIBRATED TO OPERATE AT 500 PSI WHILE THE DOWNPRESSURE FUNCTION IS ACTIVATED. INCORRECT CALIBRATION COULD RESULT IN LOSS/REDUCED FUNCTIONALITY OR DAMAGE TO THE MACHINE.

1. UNIT NEEDS TO BE IN FIELD READY POSITION.
2. ATTACH A PRESSURE GAUGE AT PORT GBW. REQUIRES A -4 37° JIC FLARE FITTING.
3. SET SCV-1 IN 'FLOAT'.
4. SET SCV-2 IN 'DETENT' FOR CONSTANT FLOW.
5. ADJUST PRESSURE REDUCING/RELIEVING VALVE PRH081S-30N, LOCATED ON TOP OF THE MANIFOLD AT PORT 'PR1', TO 500 PSI READOUT ON THE PRESSURE GAUGE. REMEMBER TO LOCK THE VALVE WHEN FINISHED SO IT DOES NOT LOSE IT'S CALIBRATION.

DRAWN BY	RICH SMOTHERS	12/22/2022
CHECKED BY		
PRINT DATE		1/16/2023
CONFIG.	Default	



**PROPRIETARY AND CONFIDENTIAL**  
 THE INFORMATION CONTAINED IN THIS DRAWING IS THE SOLE PROPERTY OF DALTON AG. ANY REPRODUCTION IN PART OR AS A WHOLE WITHOUT THE WRITTEN PERMISSION OF DALTON AG IS PROHIBITED.

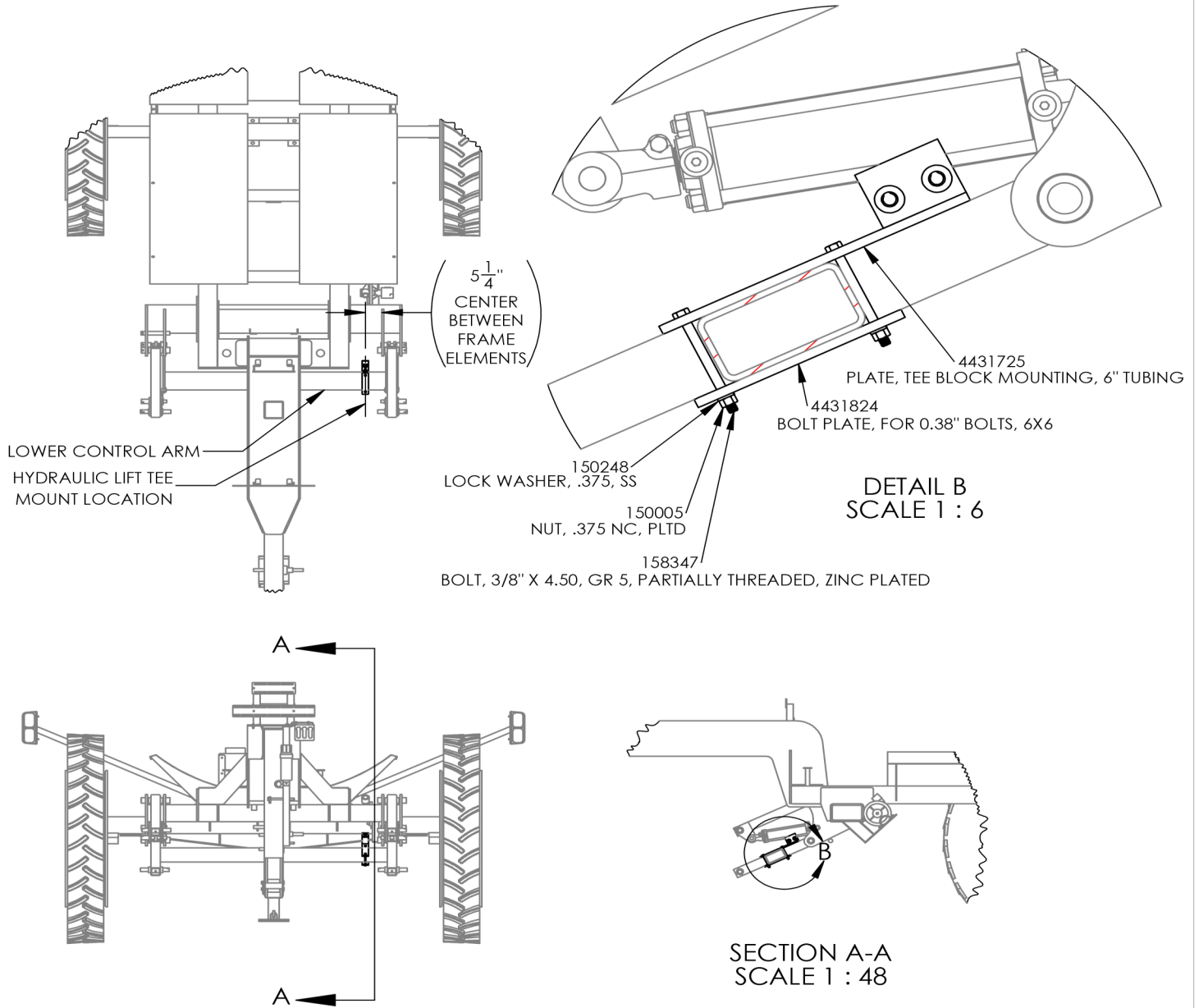
COMMENTS:

DWG: DLQ GULLWING MOUNT AND HARDWARE		
SIZE <b>A</b>	SHEET TITLE: Sheet2	REV <b>A</b>

**FOR PARTS, CALL 1.800.342.7498**

SCALE: 1:192      SHEET 2 OF 2

# HYDRAULIC LIFT TEE MOUNT HARDWARE AND INSTALLATION



DRAWN BY	--	6/2/2014
CHECKED BY		
PRINT DATE		5/7/2025
CONFIG.	Default	



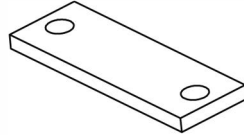
**PROPRIETARY AND CONFIDENTIAL**  
THE INFORMATION CONTAINED IN THIS DRAWING IS THE SOLE PROPERTY OF DALTON AG. ANY REPRODUCTION IN PART OR AS A WHOLE WITHOUT THE WRITTEN PERMISSION OF DALTON AG IS PROHIBITED.

COMMENTS:

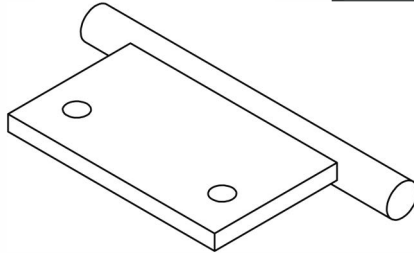
DWG: DLQ LIFT TEE MOUNT HARDWARE AND INSTALLATION		
SIZE <b>A</b>	SHEET TITLE: Sheet1	REV <b>A</b>
SCALE: 1:96	SHEET 1 OF 1	

**FOR PARTS, CALL 1.800.342.7498**

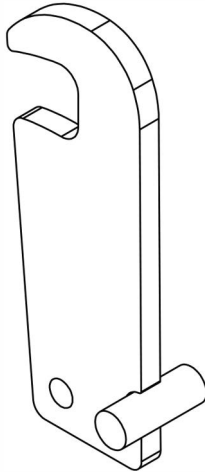
# DLQ WING LOCK



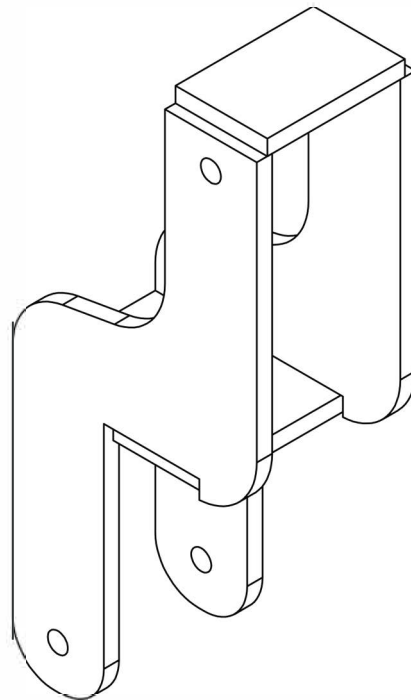
**TB 4435227 BOLT PLATE, WING LOCK HOOK**



**TB 4420425 WING LOCK HOOK, WELDMENT**



**4420945 WING LATCH**



**4420943 TB WING LOCK, 4x6, OFFSET BASE**

DRAWN BY	RICH SMOTHERS	1/25/2012
CHECKED BY		
PRINT DATE	12/16/2022	
CONFIG.	Default	

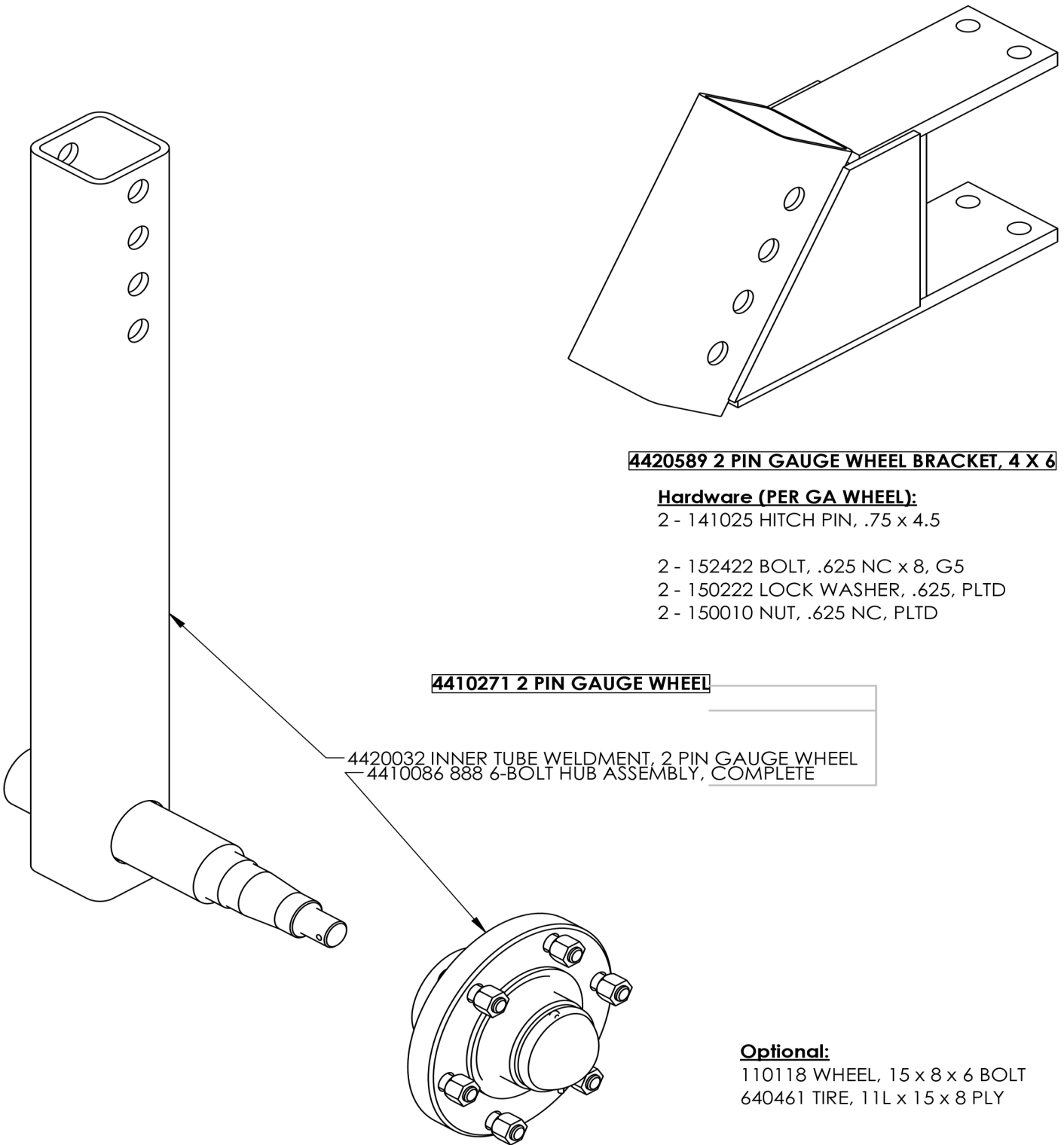


**PROPRIETARY AND CONFIDENTIAL**  
 THE INFORMATION CONTAINED IN THIS DRAWING IS THE SOLE PROPERTY OF DALTON AG. ANY REPRODUCTION IN PART OR AS A WHOLE WITHOUT THE WRITTEN PERMISSION OF DALTON AG IS PROHIBITED.

COMMENTS:

DWG:	DLQ WING LOCK-2022	
SIZE	SHEET TITLE:	REV
<b>A</b>	Sheet1	<b>A</b>
SCALE: 1:4	SHEET 1 OF 1	

## 2 PIN GAUGE WHEEL



**4420589 2 PIN GAUGE WHEEL BRACKET, 4 X 6**

**Hardware (PER GA WHEEL):**

- 2 - 141025 HITCH PIN, .75 x 4.5
- 2 - 152422 BOLT, .625 NC x 8, G5
- 2 - 150222 LOCK WASHER, .625, PLTD
- 2 - 150010 NUT, .625 NC, PLTD

**4410271 2 PIN GAUGE WHEEL**

- 4420032 INNER TUBE WELDMENT, 2 PIN GAUGE WHEEL
- 4410086 888 6-BOLT HUB ASSEMBLY, COMPLETE

**Optional:**

- 110118 WHEEL, 15 x 8 x 6 BOLT
- 640461 TIRE, 11L x 15 x 8 PLY

DRAWN BY	RICH SMOTHERS	1/21/2014
CHECKED BY		
PRINT DATE		11/9/2023
CONFIG.	Default	



**PROPRIETARY AND CONFIDENTIAL**  
 THE INFORMATION CONTAINED IN THIS DRAWING IS THE SOLE PROPERTY OF DALTON AG. ANY REPRODUCTION IN PART OR AS A WHOLE WITHOUT THE WRITTEN PERMISSION OF DALTON AG IS PROHIBITED.

COMMENTS:

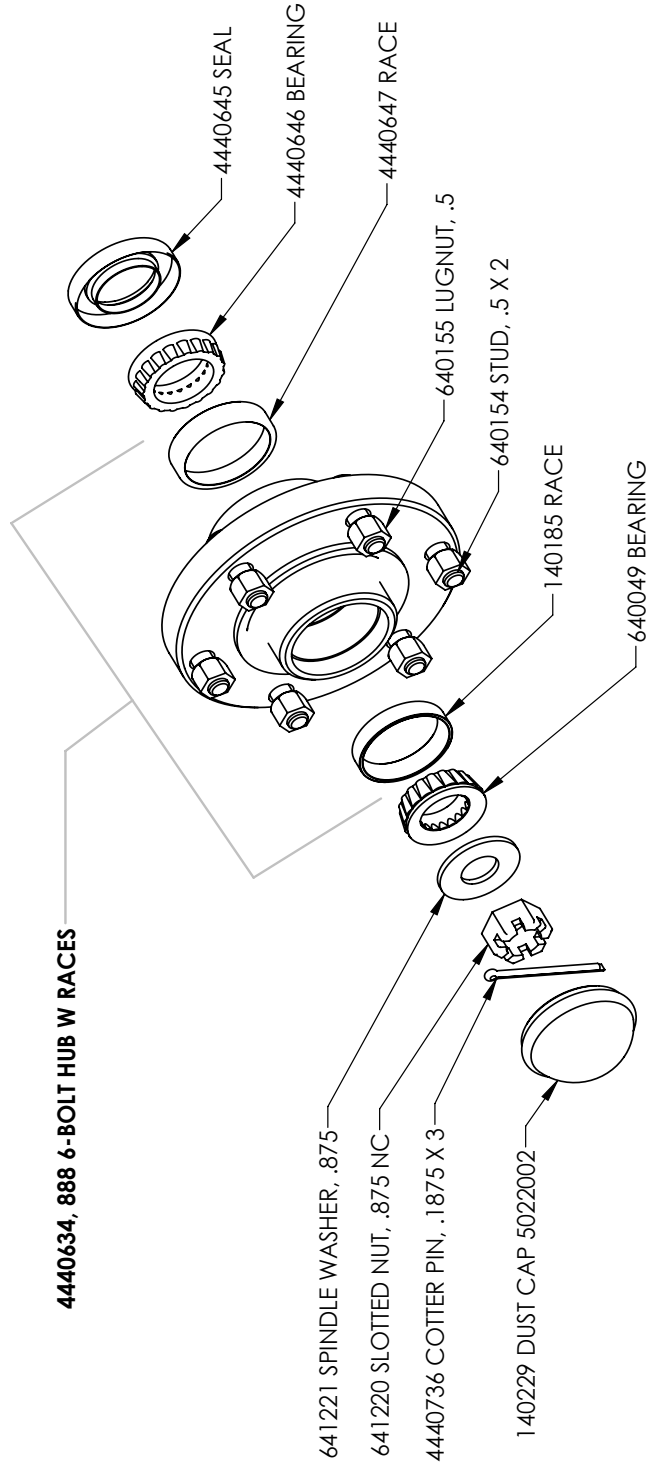
DWG: 2 PIN GAUGE WHEEL WITH BRACKET		
SIZE <b>A</b>	SHEET TITLE: Sheet1	REV <b>A</b>
SCALE: 1:4	SHEET 1 OF 1	

**FOR PARTS, CALL 1.800.342.7498**

# 4410086, 888 6-BOLT HUB ASSEMBLY, COMPLETE

ASSEMBLY

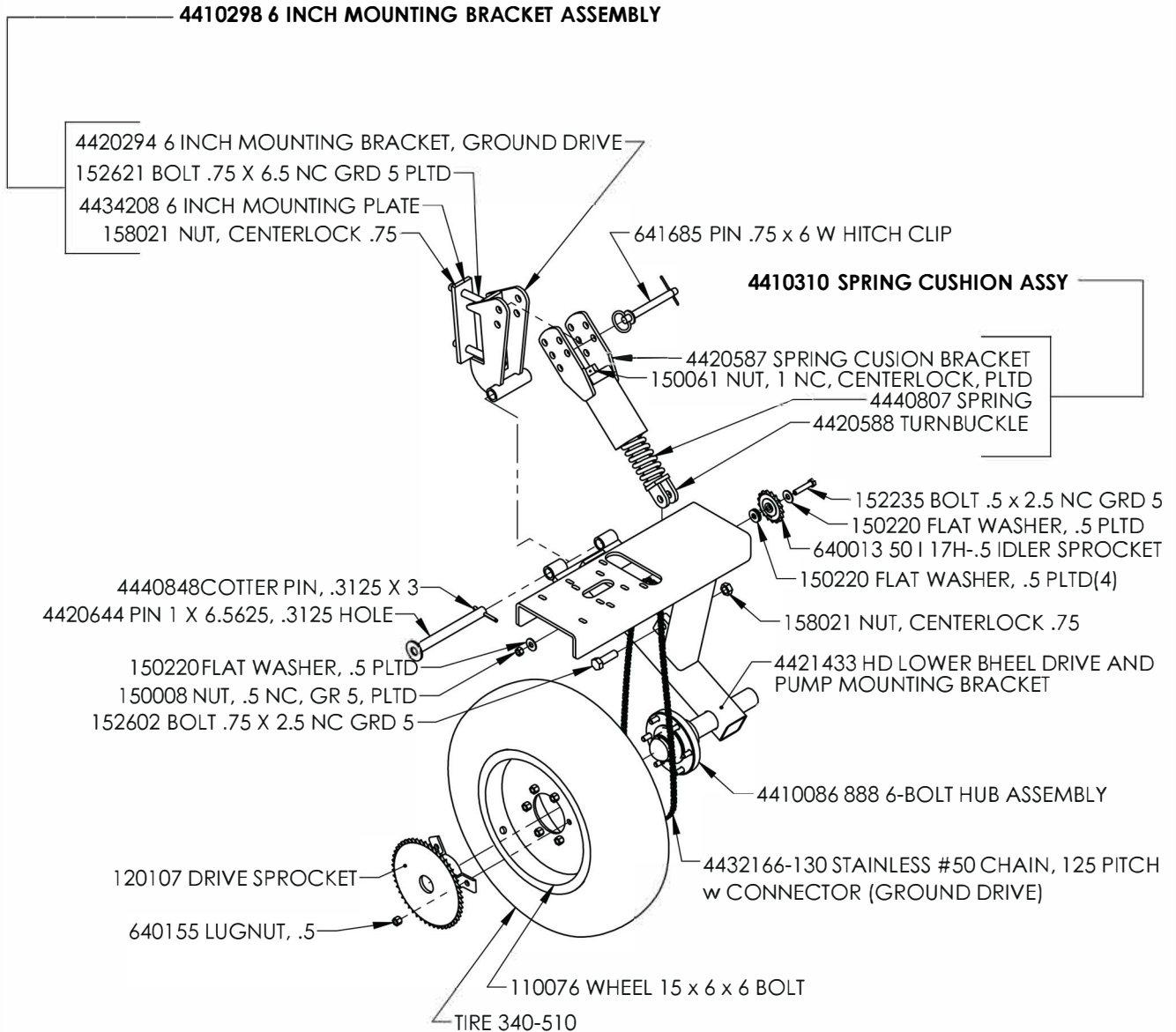
4410086 888 6-BOLT HUB ASSEMBLY, COMPLETE



## 4410086 888 6-BOLT HUB ASSEMBLY, COMPLETE

DRAWN BY	RICH SMOTHERS	5/4/2009		
CHECKED BY				
PRINT DATE	12/13/2017			
CONFIG.	EXPLODED			
COMMENTS:	<p><b>PROPRIETARY AND CONFIDENTIAL</b>                  THE INFORMATION CONTAINED IN THIS DRAWING IS THE SOLE PROPERTY OF DALTON AG. ANY REPRODUCTION IN PART OR AS A WHOLE WITHOUT THE WRITTEN PERMISSION OF DALTON AG IS PROHIBITED.</p>			
<p>DWG: 4410086 888 6-BOLT HUB ASSEMBLY, COMPLETE</p>		<p>SIZE: <b>A</b></p>	<p>SHEET TITLE: Sheet1</p>	<p>REV: <b>A</b></p>
<p>SCALE: 1:4</p>		<p>SHEET 1 OF 1</p>		<p>1</p>
				<p>2</p>
				<p>3</p>
				<p>4</p>
				<p>5</p>

# GROUND DRIVE ASSEMBLY



**4410740 HD GROUND DRIVE ASSEMBLY, LESS PUMP WITH LUG TIRE**

DRAWN BY	Jeremy Newton	5/21/2014
CHECKED BY		
PRINT DATE	12/16/2022	
CONFIG.	EXPLODED	
COMMENTS:		



**PROPRIETARY AND CONFIDENTIAL**  
 THE INFORMATION CONTAINED IN THIS DRAWING IS THE SOLE PROPERTY OF DALTON AG. ANY REPRODUCTION IN PART OR AS A WHOLE WITHOUT THE WRITTEN PERMISSION OF DALTON AG IS PROHIBITED.

DWG: GROUND DRIVE ASSEMBLY, LESS PUMP WITH LUG TIRE

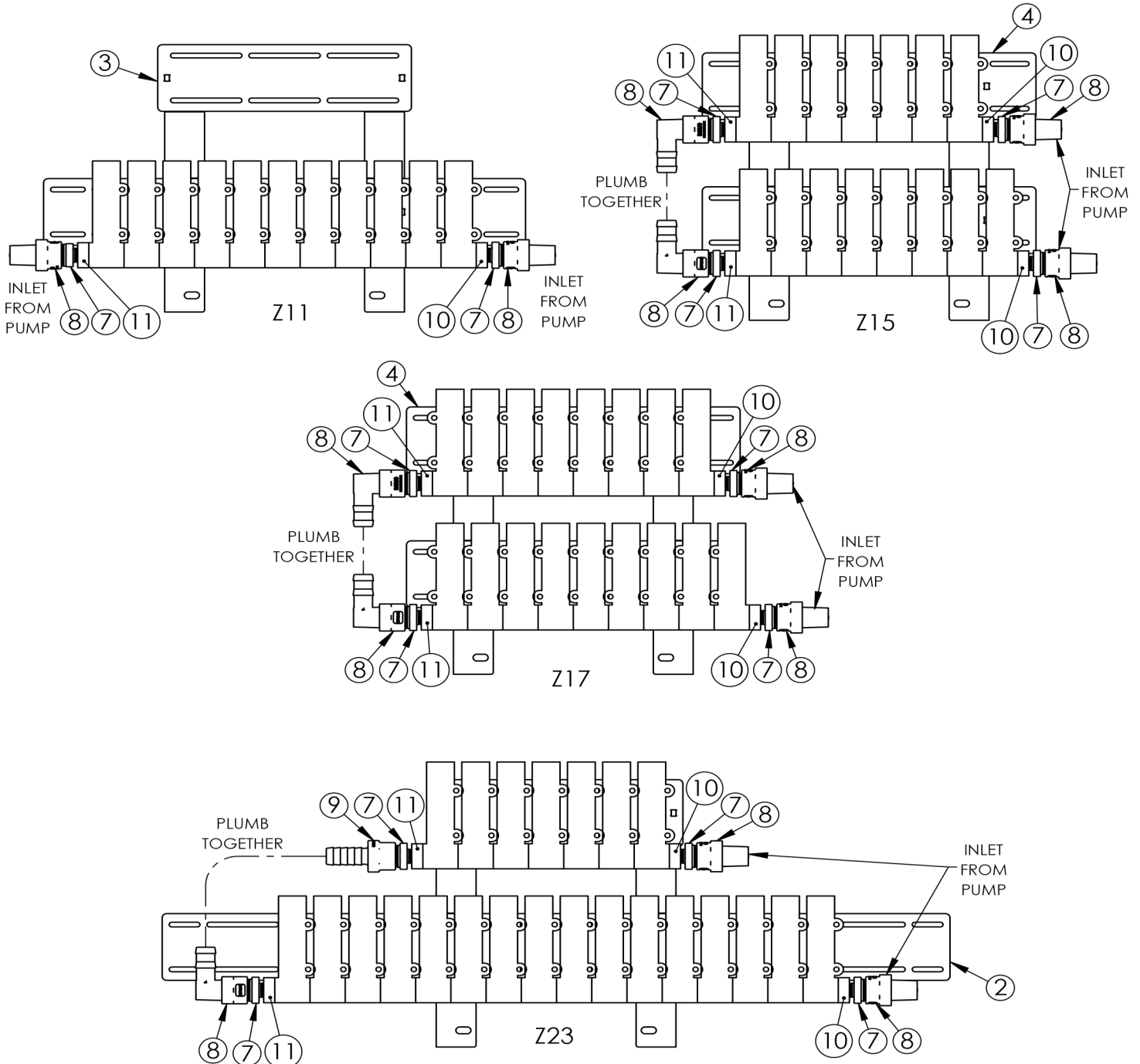
SIZE	SHEET TITLE:	REV
<b>A</b>	Sheet1	<b>A</b>

**FOR PARTS, CALL 1.800.342.7498**

SCALE: 1:32 SHEET 1 OF 1

# VISA FLOW LAYOUTS

## GAGE LAYOUTS FOR GROUND DRIVE CONFIGURATIONS (JOHN BLUE PUMPS)



DRAWN BY	RICH SMOTHERS	12/20/2024
CHECKED BY		
PRINT DATE		1/13/2025
CONFIG.	Z11	
COMMENTS:		



**PROPRIETARY AND CONFIDENTIAL**  
THE INFORMATION CONTAINED IN THIS DRAWING IS THE SOLE PROPERTY OF DALTON AG. ANY REPRODUCTION IN PART OR AS A WHOLE WITHOUT THE WRITTEN PERMISSION OF DALTON AG IS PROHIBITED.

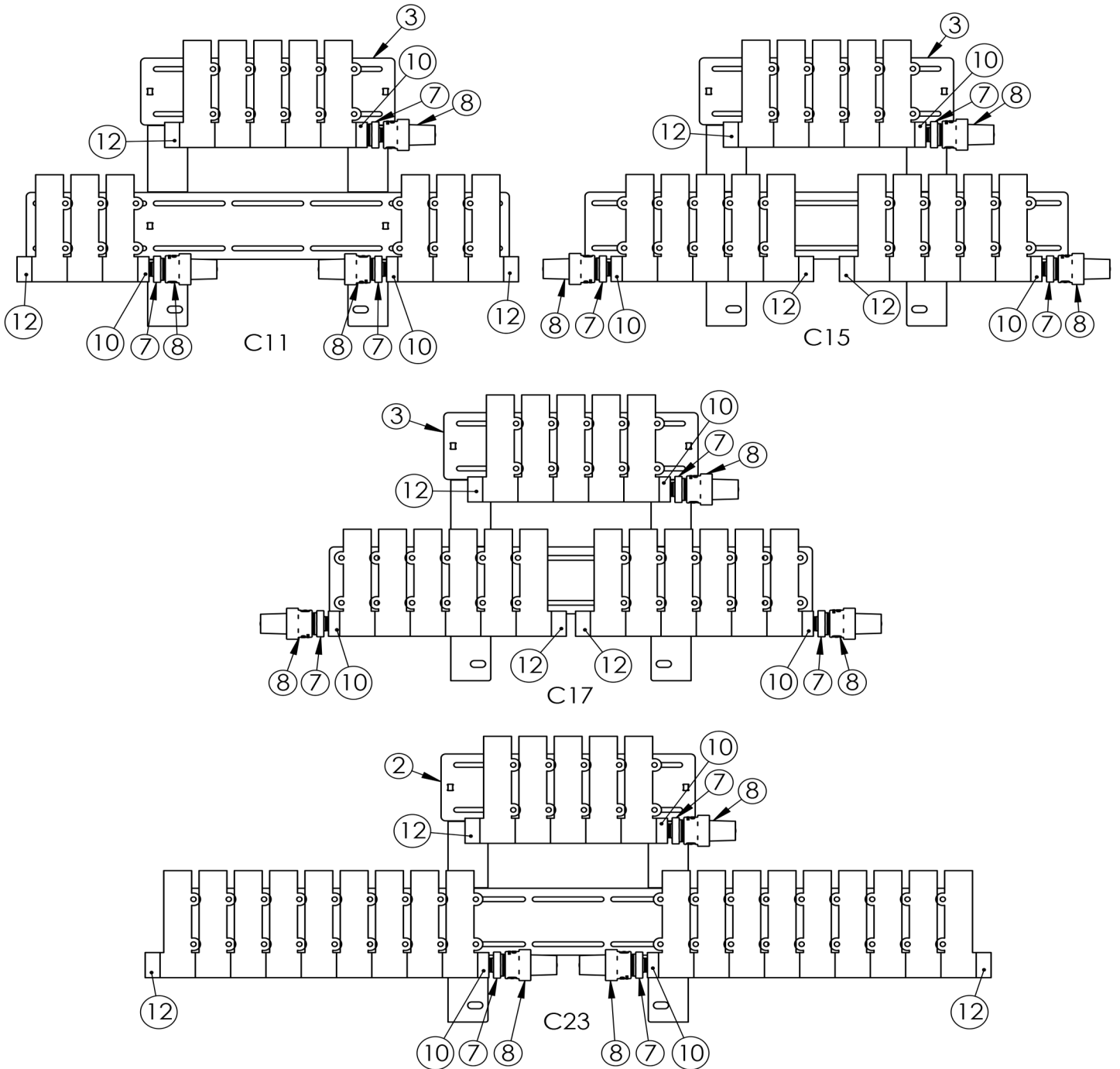
DWG: VISA FLOW LAYOUTS

SIZE	SHEET TITLE:	REV
<b>A</b>	JOHN BLUE PUMPS	<b>A</b>
SCALE: 1:8	SHEET 1 OF 4	

**FOR PARTS, CALL 1.800.342.7498**

# VISA FLOW LAYOUTS CONT.

## GAGE LAYOUTS FOR RAVEN CONTROLLER AND THREE (3) SHUTOFFS



DRAWN BY	--	12/20/2024
CHECKED BY		
PRINT DATE		1/13/2025
CONFIG.	Z11	
COMMENTS:		



**PROPRIETARY AND CONFIDENTIAL**  
THE INFORMATION CONTAINED IN THIS DRAWING IS THE SOLE PROPERTY OF DALTON AG. ANY REPRODUCTION IN PART OR AS A WHOLE WITHOUT THE WRITTEN PERMISSION OF DALTON AG IS PROHIBITED.

DWG: VISA FLOW LAYOUTS

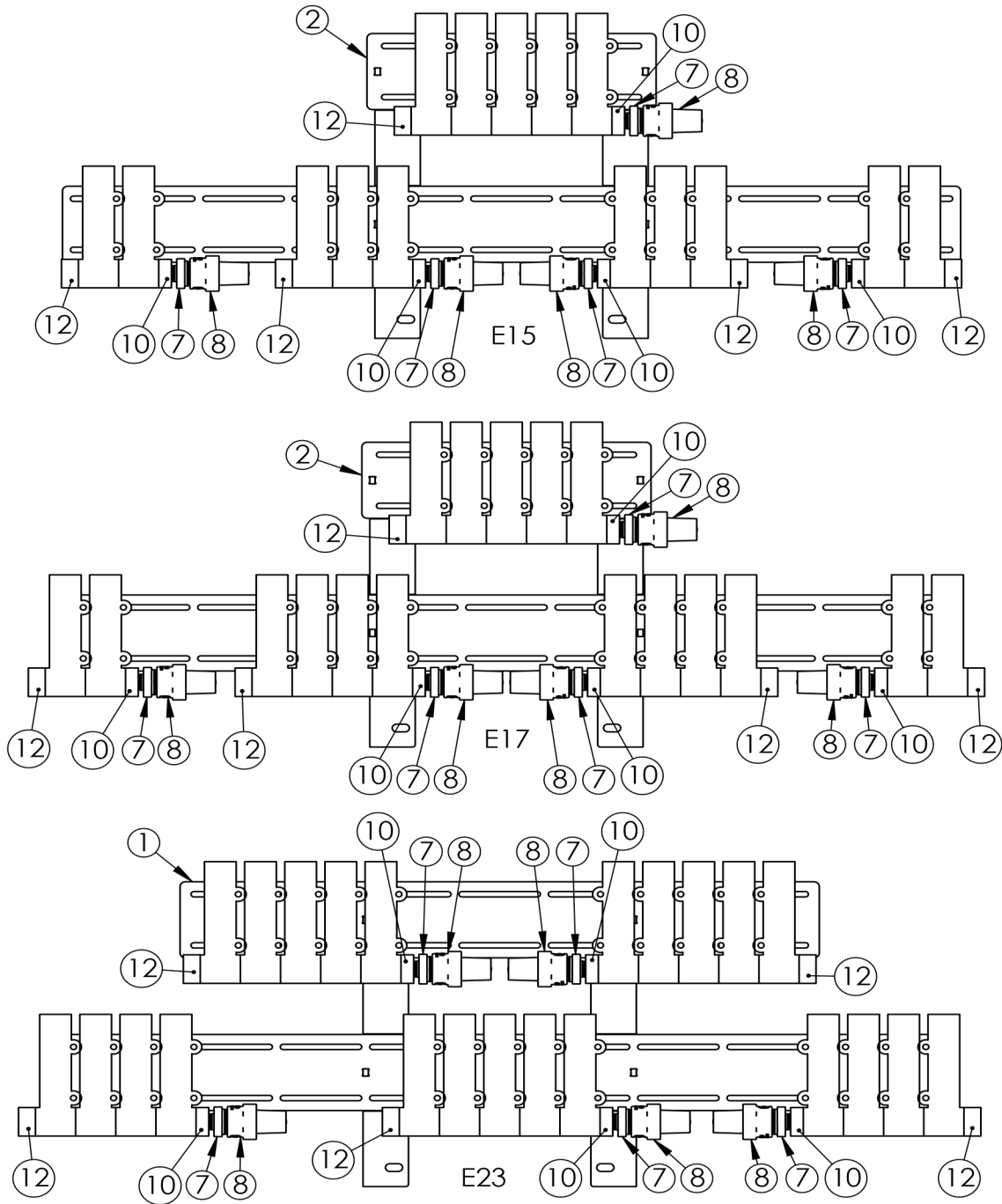
SIZE **A** SHEET TITLE: 3 SHUTOFFS REV **A**

**FOR PARTS, CALL 1.800.342.7498**

SCALE: 1:8 SHEET 2 OF 4

# VISA FLOW LAYOUTS CONT.

## GAGE LAYOUTS FOR RAVEN CONTROLLER AND FIVE (5) SHUTOFFS



DRAWN BY	RICH SMOTHERS	12/20/2024
CHECKED BY		
PRINT DATE	1/13/2025	
CONFIG.	Z11	
COMMENTS:		



**PROPRIETARY AND CONFIDENTIAL**  
THE INFORMATION CONTAINED IN THIS DRAWING IS THE SOLE PROPERTY OF DALTON AG. ANY REPRODUCTION IN PART OR AS A WHOLE WITHOUT THE WRITTEN PERMISSION OF DALTON AG IS PROHIBITED.

DWG: VISA FLOW LAYOUTS

SIZE	SHEET TITLE:	REV
<b>A</b>	5 SHUTOFFS	<b>A</b>
SCALE: 1:12	SHEET 3 OF 4	

**FOR PARTS, CALL 1.800.342.7498**

### VISA FLOW LAYOUTS CONT.

		(SMSS4/SMSS1) - (GAGE BANK CONFIG.)					KNIVES/SECTION
# ROWS	11	2/3 - 11		1/7 - 3/5/3			3/5/3
	13						
	15	3/3 - 8/7		3/3 - 5/5/5		1/11 - 2/3/5/3/2	2/3/5/3/2
	17	4/1 - 9/8		3/5 - 6/5/6		3/5 - 2/4/5/4/2	2/4/5/4/2
	23	5/3 - 16/7		5/3 - 9/5/9		5/3 - 5/4/5/4/5	2/3/4/5/4/3/2
		1 (Z)	2 (B)	3 (C)	4 (D)	5 (E)	
		# SHUTOFFS					

↑

JOHN BLUE ONLY  
 (2 HOSES FROM  
 PUMP)

ITEM NO.	PART NUMBER	DESCRIPTION
1	4421296	DLQ FLOW MONITOR PANEL, 3
2	4421946	DLQ FLOW MONITOR PANEL, 4
3	4420840	DLQ FLOW MONITOR PANEL, 1
4	4420841	DLQ FLOW MONITOR PANEL, 2
5	SMSS4	MONITOR ASSMY., VISA GAUGE II, FOR VISUAL FLOW
6	SMSS1	SINGLE MONITOR ASSEMBLY - SPRAY TYPE
7	RN100-050	1" X 1/2" POLY REDUCING NIPPLE
8	HBF100-90	1" 90° FEMALE NPT X 1" HOSE BARB
9	HBF100	1" FEMALE THREAD X 1" HOSE SHANK
10	SMPT-0004	1/2" FEMALE NPT ADAPTER (INLET), POLYPROPYLENE
11	SMPT-0061	FLOW-THRU END CAP FOR SS STYLE, 1/2" FEMALE NPT (OUTLET), POLYPROPYLENE
12	SMPT-0008	END CAP, POLYPROPYLENE

DRAWN BY	RICH SMOTHERS	12/20/2024
CHECKED BY		
PRINT DATE	1/13/2025	
CONFIG.	Z11	
COMMENTS:		



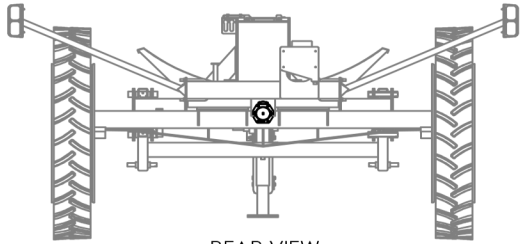
**PROPRIETARY AND CONFIDENTIAL**  
 THE INFORMATION CONTAINED IN THIS DRAWING IS THE SOLE PROPERTY OF DALTON AG. ANY REPRODUCTION IN PART OR AS A WHOLE WITHOUT THE WRITTEN PERMISSION OF DALTON AG IS PROHIBITED.

DWG: VISA FLOW LAYOUTS		
SIZE <b>A</b>	SHEET TITLE: Sheet1	REV <b>A</b>
SCALE: 1:12	SHEET 4 OF 4	

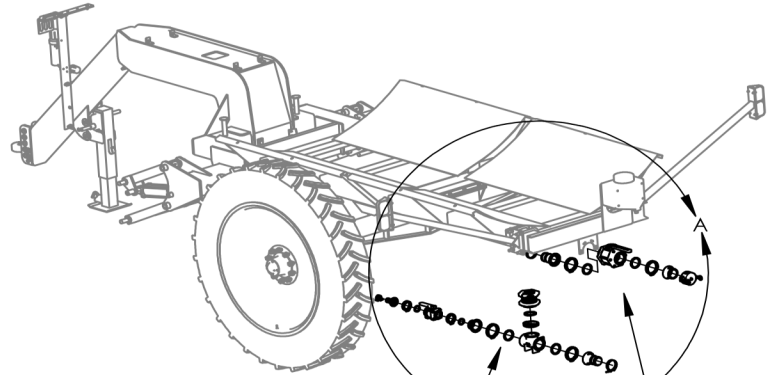
**FOR PARTS, CALL 1.800.342.7498**

# TANK PLUMBING

## TANK DRAIN/VALVE AND 3" BOTTOM FILL PLUMBING

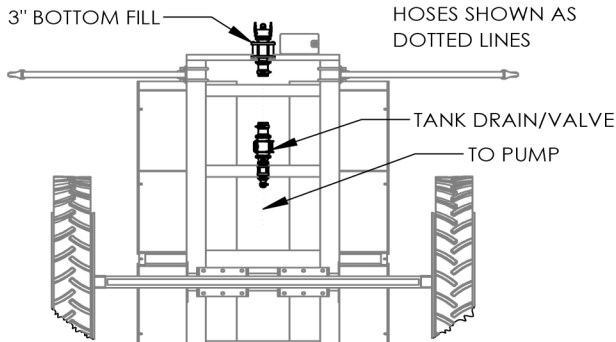


REAR VIEW



TANK DRAIN/VALVE

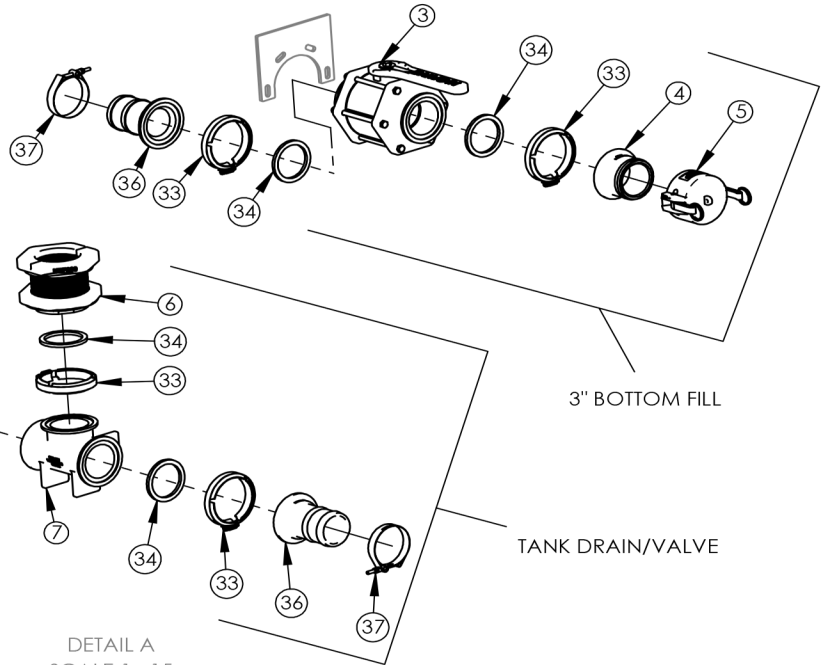
3" BOTTOM FILL



BOTTOM VIEW

3" BOTTOM FILL  
HOSES SHOWN AS DOTTED LINES

TANK DRAIN/VALVE  
TO PUMP



3" BOTTOM FILL

TANK DRAIN/VALVE

DETAIL A  
SCALE 1 : 15

DRAWN BY	--	6/2/2014
CHECKED BY		
PRINT DATE		12/11/2024
CONFIG.	REAR TANK PLUMBING	



**PROPRIETARY AND CONFIDENTIAL**  
THE INFORMATION CONTAINED IN THIS DRAWING IS THE SOLE PROPERTY OF DALTON AG. ANY REPRODUCTION IN PART OR AS A WHOLE WITHOUT THE WRITTEN PERMISSION OF DALTON AG IS PROHIBITED.

COMMENTS:

DWG: DLQ TANK PLUMBING

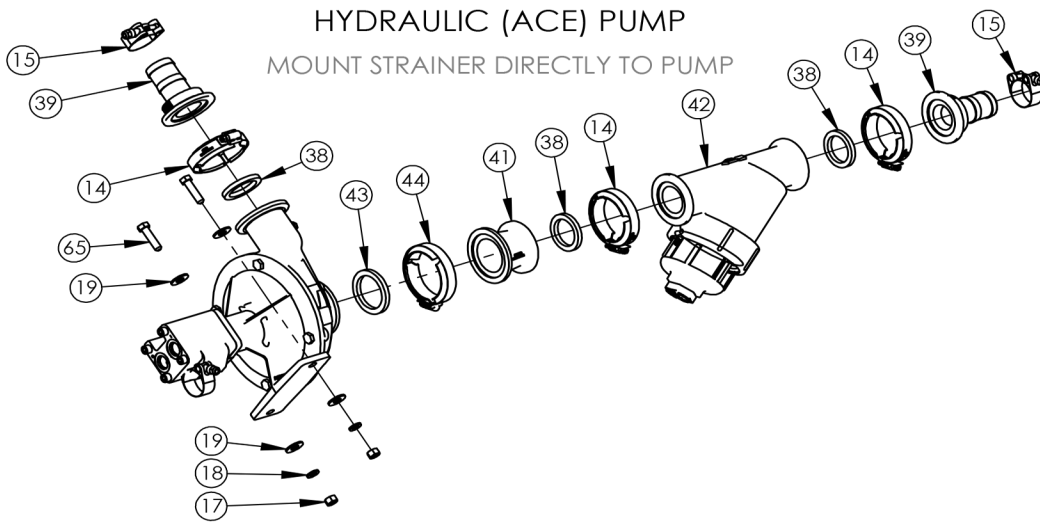
SIZE <b>A</b>	SHEET TITLE: REAR TANK PLUMBING	REV <b>A</b>
------------------	------------------------------------	-----------------

**FOR PARTS, CALL 1.800.342.7498**

SCALE: 1:128 SHEET 1 OF 7

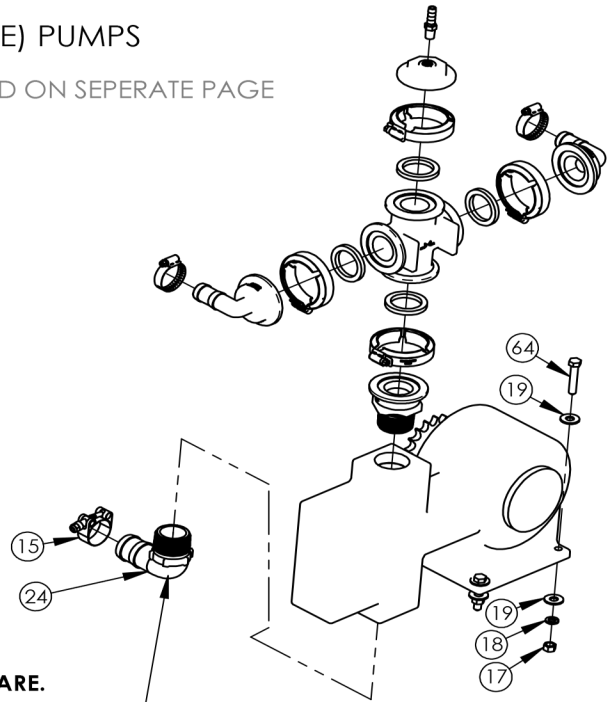
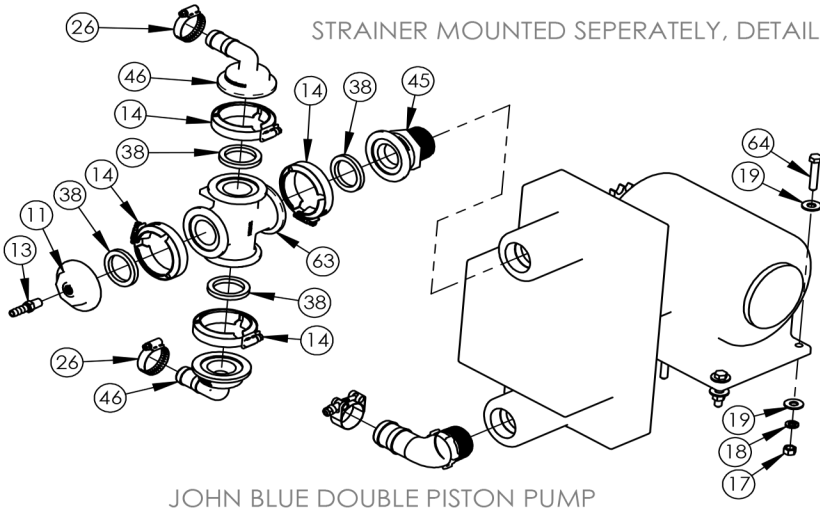
# TANK PLUMBING CONT.

## PUMP HOSE CONNECTION HARDWARE



## GROUND DRIVE (JOHN BLUE) PUMPS

STRAINER MOUNTED SEPERATELY, DETAILED ON SEPERATE PAGE



**NOTES (JOHN BLUE PUMPS ONLY):**

- BOTH JOHN BLUE PUMPS USE THE SAME HOSE CONNECTION HARDWARE.
- WHEN PLUMBING PUMP TO BOOM HOSE KIT, SET PUMPS UP AS SHOWN.
- WHEN PLUMBING PUMP TO SHUTOFFS, ALL PUMP PORTS USE THIS FITTING ONLY.

DRAWN BY	RICH SMOTHERS	6/2/2014
CHECKED BY		
PRINT DATE	12/11/2024	
CONFIG.	REAR TANK PLUMBING	
COMMENTS:		



**PROPRIETARY AND CONFIDENTIAL**  
THE INFORMATION CONTAINED IN THIS DRAWING IS THE SOLE PROPERTY OF DALTON AG. ANY REPRODUCTION IN PART OR AS A WHOLE WITHOUT THE WRITTEN PERMISSION OF DALTON AG IS PROHIBITED.

DWG: DLQ TANK PLUMBING

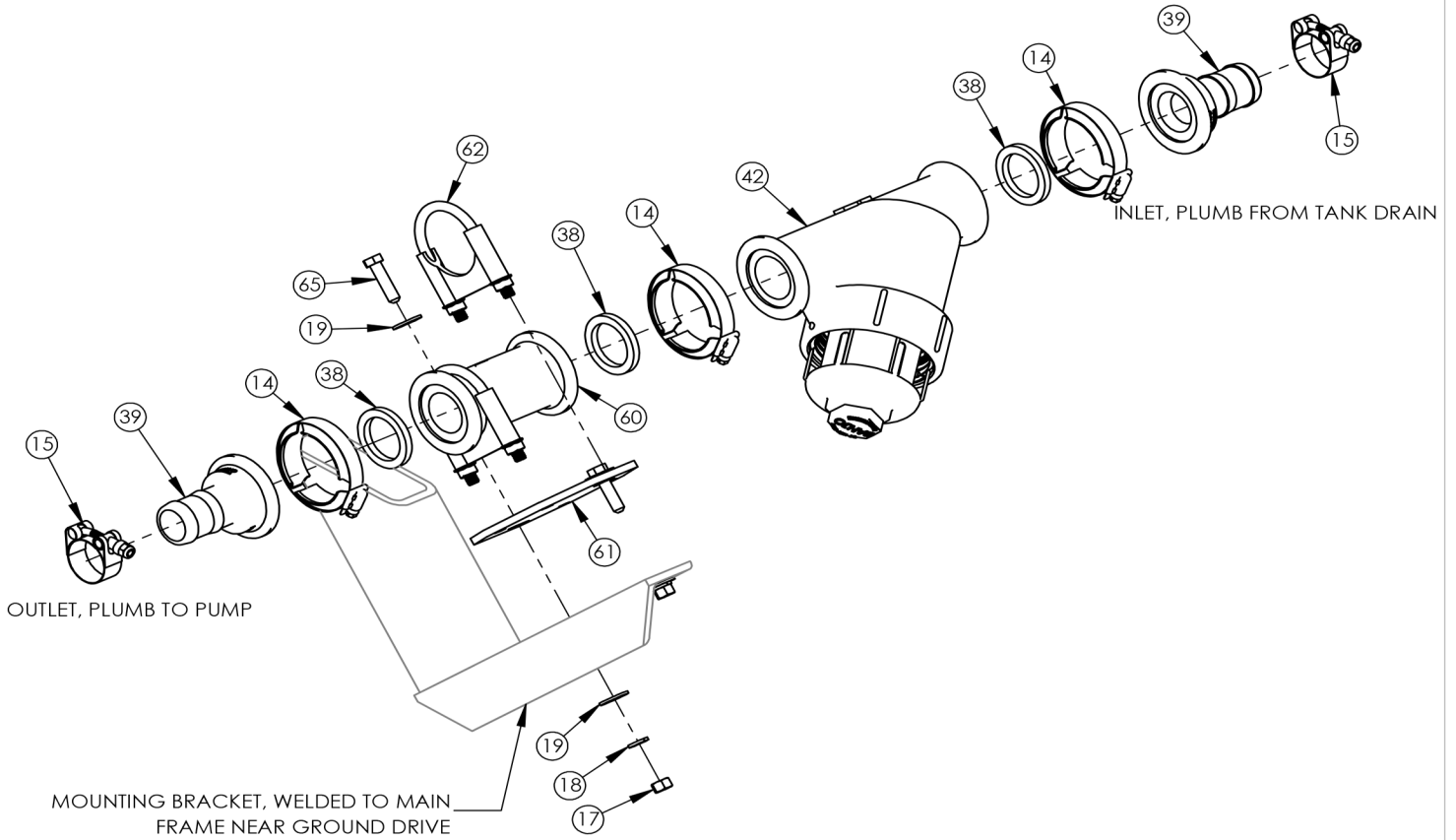
SIZE	SHEET TITLE:	REV
<b>A</b>	PUMP HOSE CONNECTIONS	<b>A</b>

**FOR PARTS, CALL 1.800.342.7498**

SCALE: 1:192 SHEET 2 OF 7

# TANK PLUMBING CONT.

## STRAINER ASSEMBLY (JOHN BLUE PUMPS ONLY)



DRAWN BY	RICH SMOTHERS	6/2/2014
CHECKED BY		
PRINT DATE	12/11/2024	
CONFIG.	REAR TANK PLUMBING	



**PROPRIETARY AND CONFIDENTIAL**  
 THE INFORMATION CONTAINED IN THIS DRAWING IS THE SOLE PROPERTY OF DALTON AG. ANY REPRODUCTION IN PART OR AS A WHOLE WITHOUT THE WRITTEN PERMISSION OF DALTON AG IS PROHIBITED.

COMMENTS:

DWG:	DLQ TANK PLUMBING	
SIZE	SHEET TITLE:	REV
<b>A</b>	STRAINER MOUNT	<b>A</b>
SCALE: 1:192	SHEET 3 OF 7	

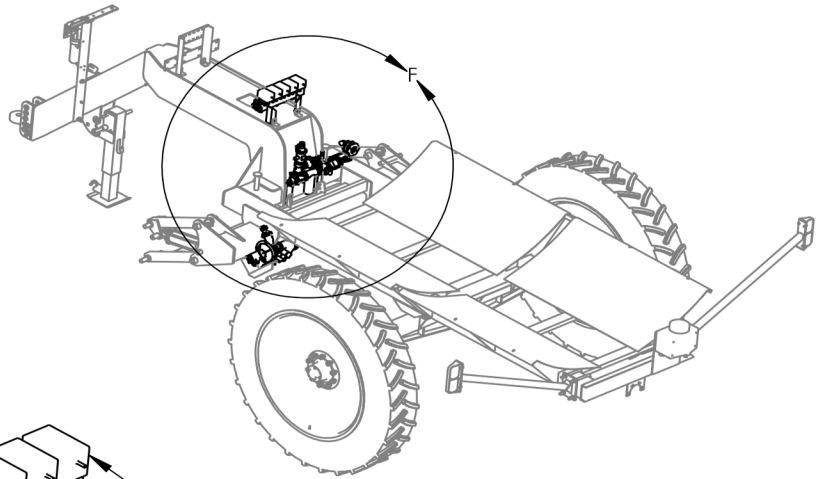
**FOR PARTS, CALL 1.800.342.7498**

# TANK PLUMBING CONT.

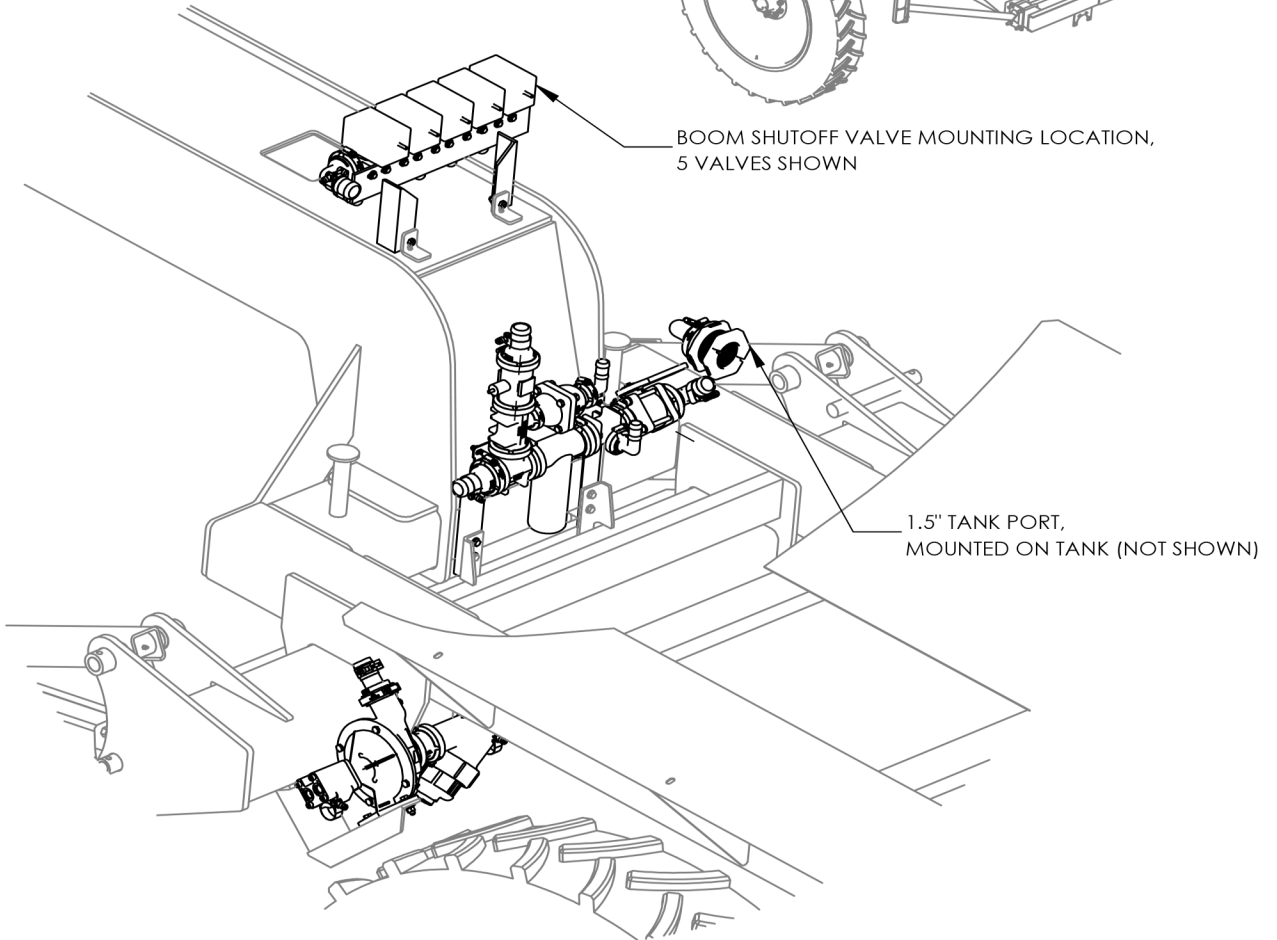
## RAVEN FLOW KIT W/ ACE PUMP OPTION

**NOTES:**

- HOSES NOT SHOWN
- DETAIL VIEWS SHOWN ON NEXT PAGE



BOOM SHUTOFF VALVE MOUNTING LOCATION,  
5 VALVES SHOWN



1.5" TANK PORT,  
MOUNTED ON TANK (NOT SHOWN)

DETAIL F  
SCALE 1 : 15

DRAWN BY	RICH SMOTHERS	6/2/2014
CHECKED BY		
PRINT DATE	12/11/2024	
CONFIG.	REAR TANK PLUMBING	



**PROPRIETARY AND CONFIDENTIAL**  
THE INFORMATION CONTAINED IN THIS DRAWING IS THE SOLE PROPERTY OF DALTON AG. ANY REPRODUCTION IN PART OR AS A WHOLE WITHOUT THE WRITTEN PERMISSION OF DALTON AG IS PROHIBITED.

COMMENTS:

DWG: DLQ TANK PLUMBING

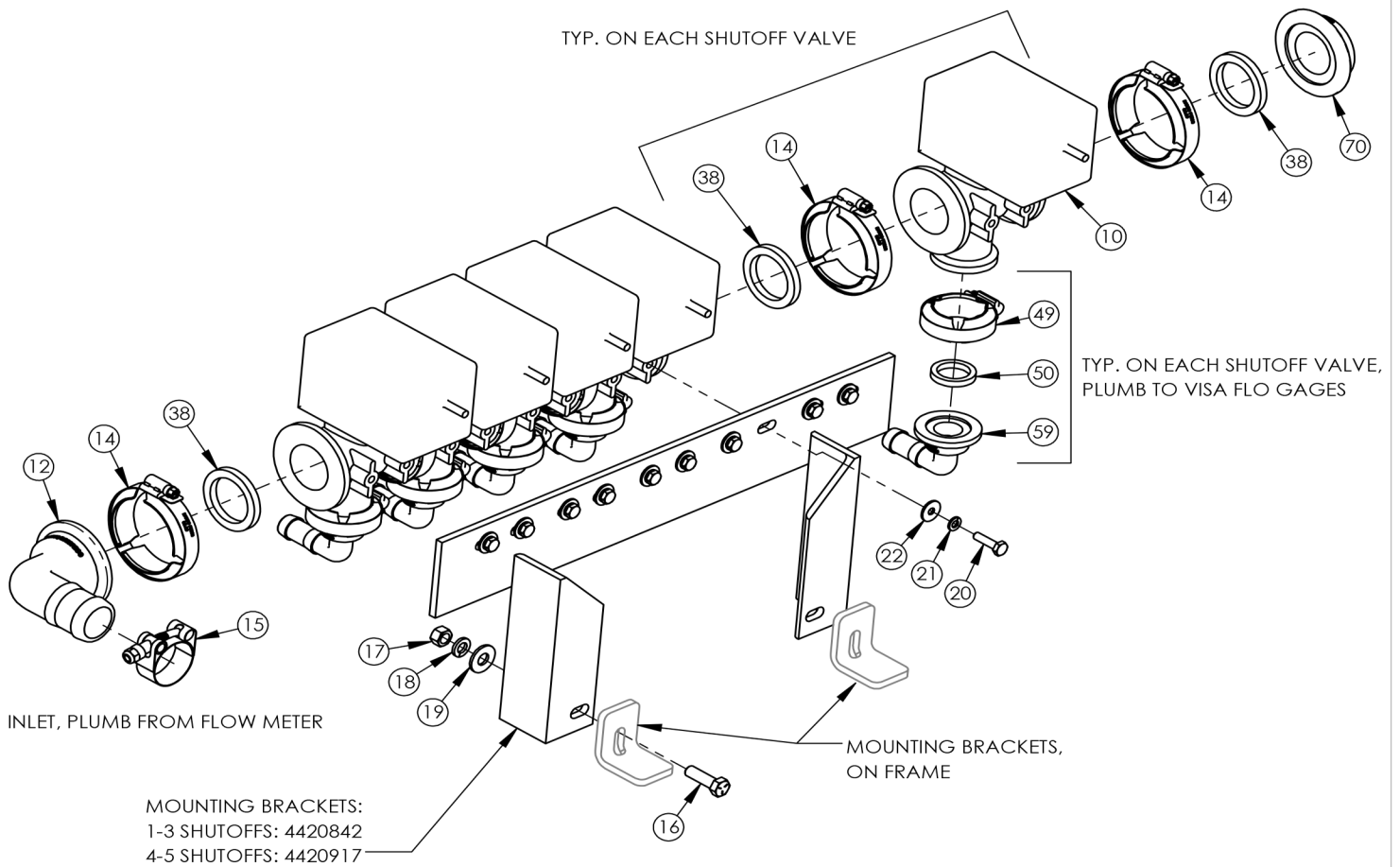
SIZE <b>A</b>	SHEET TITLE: RAVEN KIT LAYOUT	REV <b>A</b>
------------------	----------------------------------	-----------------

**FOR PARTS, CALL 1.800.342.7498**

SCALE: 1:128 SHEET 4 OF 7

# TANK PLUMBING CONT.

## RAVEN FLOW KIT W/ ACE PUMP OPTION SHUTOFF VALVES AND FLOW METER SUBASSEMBLIES



DRAWN BY	RICH SMOTHERS	6/2/2014
CHECKED BY		
PRINT DATE		12/11/2024
CONFIG.	REAR TANK PLUMBING	



**PROPRIETARY AND CONFIDENTIAL**  
THE INFORMATION CONTAINED IN THIS DRAWING IS THE SOLE PROPERTY OF DALTON AG. ANY REPRODUCTION IN PART OR AS A WHOLE WITHOUT THE WRITTEN PERMISSION OF DALTON AG IS PROHIBITED.

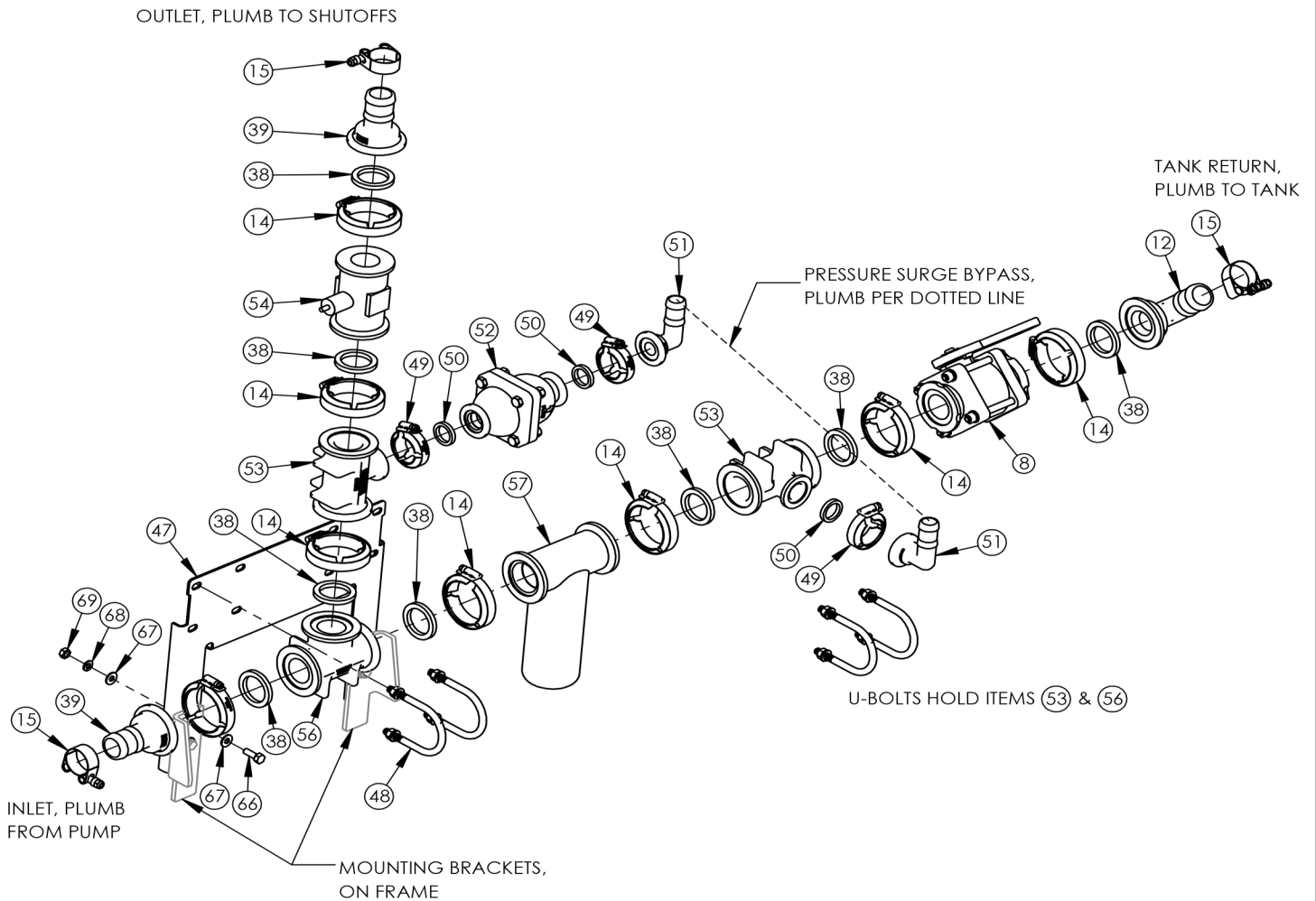
COMMENTS:

DWG:	DLQ TANK PLUMBING	
SIZE	SHEET TITLE:	REV
<b>A</b>	RAVEN KIT EXPLODED VIEWS	<b>A</b>
SCALE: 1:128	SHEET 5 OF 7	

**FOR PARTS, CALL 1.800.342.7498**

# TANK PLUMBING CONT.

## RAVEN FLOW KIT W/ ACE PUMP OPTION TANK RECIRCULATION AND SHUTOFF SUBASSEMBLY



DRAWN BY	RICH SMOTHERS	6/2/2014
CHECKED BY		
PRINT DATE	12/11/2024	
CONFIG.	REAR TANK PLUMBING	



**PROPRIETARY AND CONFIDENTIAL**  
THE INFORMATION CONTAINED IN THIS DRAWING IS THE SOLE PROPERTY OF DALTON AG. ANY REPRODUCTION IN PART OR AS A WHOLE WITHOUT THE WRITTEN PERMISSION OF DALTON AG IS PROHIBITED.

COMMENTS:

DWG: DLQ TANK PLUMBING		
SIZE <b>A</b>	SHEET TITLE: RAVEN KIT EXPLODED VIEWS - 2	REV <b>A</b>
SCALE: 1:128	SHEET 6 OF 7	

**FOR PARTS, CALL 1.800.342.7498**

## TANK PLUMBING CONT.

### PLUMBING SYSTEM COMPONENTS LIST

ITEM NO.	PART NUMBER	DESCRIPTION	QTY
1	4420842	RAVEN VALVE MOUNT	1
2	4420840	DLQ FLOW MONITOR PANEL, 1	1
3	MV300CF	3" x 3" FP MANIFOLD FLANGE BOLTED BALL VALVE	1
4	M300A	3 IN FP FLANGE X 3 IN CAM LOCK	1
5	300CAP	3" CAP X MALE ADAPTER POLY CAM LEVER COUPLER	1
6	MTF300BD	3" TANK FITTING WITH FLANGE, BOTTOM DRAIN	1
7	M300TEE	3 in. Flanged Tee	1
8	MV200CF	2 in. X 2 in. Manifold Flange Bolted Ball Valve FKM Seals	2
9	4420917	RAVEN VALVE MOUNT	1
10	RV 063-0171-926	VALVE SINGLE MANIFOLD	5
11	M200PLG025	2" MANIFOLD PLUG W/ 1/4" FPT	2
12	M200-150BRB90	2" MANIFOLD FITTING, 1-1/2" HOSE BARB 90 DEGREE	2
13	4440967	1/4" MPT X 3/8" HOSE BARB, STAINLESS FITTING	2
14	FC200	200 SERIES WORM SCREW CLAMP, MANIFOLD FLANGE CONNECTIONS	30
15	4441748	T-BOLT CLAMP, 1.5", SS	12
16	151805	BOLT, .375 x 1.25 NC, PLTD	2
17	150005	NUT, .375 NC, PLTD	14
18	150248	LOCK WASHER, .375, SS	14
19	150212	FLAT WASHER USS, .375 PLTD	26
20	158147	BOLT, .25 x 1 NC, SS	10
21	150202	LOCK WASHER, .25 PLTD	10
22	150204	FLAT WASHER, .25 PLTD	10
23	NGP-7055	SINGLE PISTON PUMP, WITHOUT CLUTCH	1
24	HB150-90	1-1/2" BARBED X MNPT 90 DEGREE ELBOW	2
25	NGP-9055	DOUBLE PISTON PUMP, WITHOUT CLUTCH	1
26	4441180	HOSE CLAMP, WORM GEAR, 3/4" TO 1- 3/4", 1/2" BAND WIDTH, SAE 020 SS	7
27	HBT100-100	TEE HB 1"	1
28	RC100-075	COUPLING, REDUCER, 1" FPT TO 3/4" FPT	2
29	HB075-038	3/4" MPT X 3/8" HOSE BARB	2
30	HB100-90	1" BARBED X MNPT 90 DEGREE ELBOW	1
31	4441177	HOSE CLAMP, WORM GEAR, 3/8" TO 7/8", 1/2" BAND WIDTH, SAE 006 SS	2
32	4434231	TEE MOUNTING BRACKET	2
33	FC300	3" STANDARD PORT WORM SCREW CLAMP	5
34	300GV	GASKET 3 IN FLANGE VITON	5
35	M300200CPG	3 in. X 2 in. Reducer Flange	1

ITEM NO.	PART NUMBER	DESCRIPTION	QTY
36	M300BRB	3 in. Flange X 3 in. Hose Barb	2
37	4441521	T-BOLT HOSE CLAMP, 3.43-3.75	2
38	150GV	GASKET, 1.5 IN VITON	30
39	M200150BRB	2" Flange X 1.5" Hose Bar	7
40	FMC-150F-HYD-206	ACE HYDRAULIC PUMP	1
41	M220200CPG	REDUCER COUPLING, MANIFOLD FLANGE, 2" FP TO 2"	1
42	MLS200-50	2 in. Polypropylene Manifold Y Line Strainer, 50 MESH	2
43	200GV	GASKET, 2 IN, VITON	2
44	FC220	FLANGE CLAMP, 220 SERIES, WORM SCREW	2
45	M200150MPT	ADAPTER, 1.5" NPT TO 2" MANIFOLD FLANGE	2
46	M200100BRB90	2" MANIFOLD FITTING, 1" HOSE BARB 90 DEGREE	4
47	4431766	MOUNTING BRACKET, FLOW CONTROL BANK	1
48	UB202	200 SERIES MOUNTING U-BOLT	4
49	FC100	100 SERIES WORM SCREW CLAMP	8
50	M100GV	100 SERIES GASKET, FKM	8
51	M100BRB90	1 in. Flange X 1 in. 90 Degree Hose Barb	2
52	MPRV100-075	100 X 100 PRESSURE SPIKE VALVE, FKM SEALS, 75 PSI	1
53	M200100TEE	2 in. X 1 in. Flanged Tee	2
54	RV 063-0171-985	RFM60P HIGH PULSE, RAVEN FLOW METER, LIQUID	1
55	M220150BRB90	2" FP X 1.5" 90 DEG HOSE BARB	1
56	M200TEE	TEE, 2 IN FLANGED	1
57	RV 063-0171-894	VALVE ASSMY, CONTROL, 1-1/2-200 FLANGED	1
58	MTF220BD	MANIFOLD BULKHEAD FITTINGK, 2 IN FP FLANGE	1
59	M100075BRB90	1" MANIFOLD FITTING, 3/4" HOSE BARB 90 DEGREE	5
60	M200CPG	MANIFOLD COUPLING 2 in. X 2 in. Flange X 4.5 in. Long	1
61	4431794	MOUNTING PLATE, STRAINER	1
62	3042T32	CLAMP, LOOP	2
63	M200CR	CROSS, 2" MANIFOLD FLANGE	2
64	151811	BOLT, .375 x 2 NC, G5, PLTD	8
65	151806	BOLT, .375 x 1.5 NC, G5, PLTD	4
66	151610	.3125 x 1 NC SS	4
67	158054	FLAT WASHER, .3125, SS	8
68	158053	LOCK WASHER, .3125 SS	4
69	150007	NUT, .3125 NC, SS	4
70	M200PLG	PLUG, FLANGE CONNECTION, 2"	1

DRAWN BY	RICH SMOTHERS	6/2/2014
CHECKED BY		
PRINT DATE	12/11/2024	
CONFIG.	REAR TANK PLUMBING	



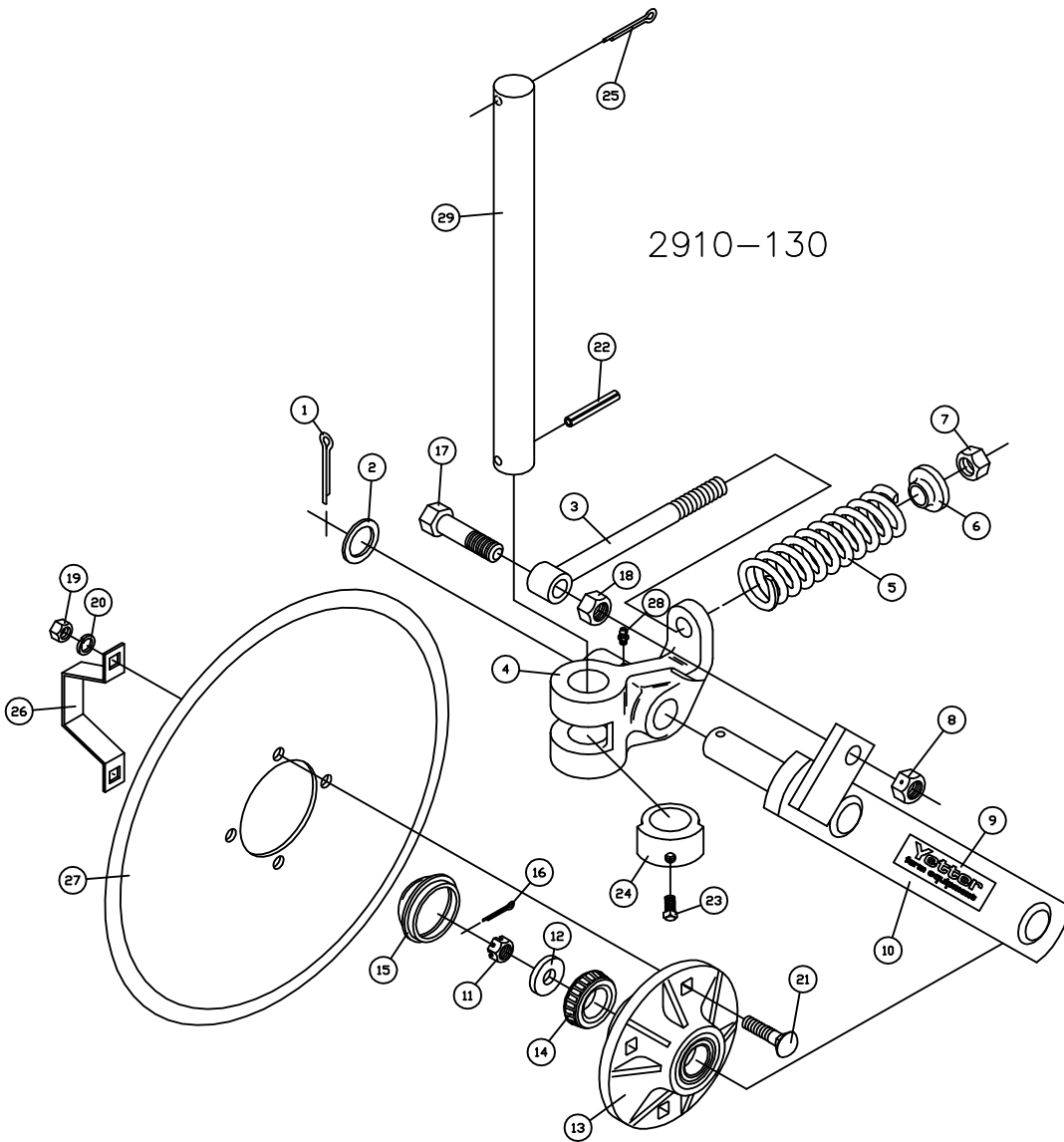
**PROPRIETARY AND CONFIDENTIAL**  
THE INFORMATION CONTAINED IN THIS DRAWING IS THE SOLE PROPERTY OF DALTON AG. ANY REPRODUCTION IN PART OR AS A WHOLE WITHOUT THE WRITTEN PERMISSION OF DALTON AG IS PROHIBITED.

COMMENTS:

DWG:	DLQ TANK PLUMBING		
SIZE	SHEET TITLE:	BOM	REV
<b>A</b>			<b>A</b>
SCALE: 1:192	SHEET 7 OF 7		

**FOR PARTS, CALL 1.800.342.7498**

# YETTER COULTER ASSEMBLY

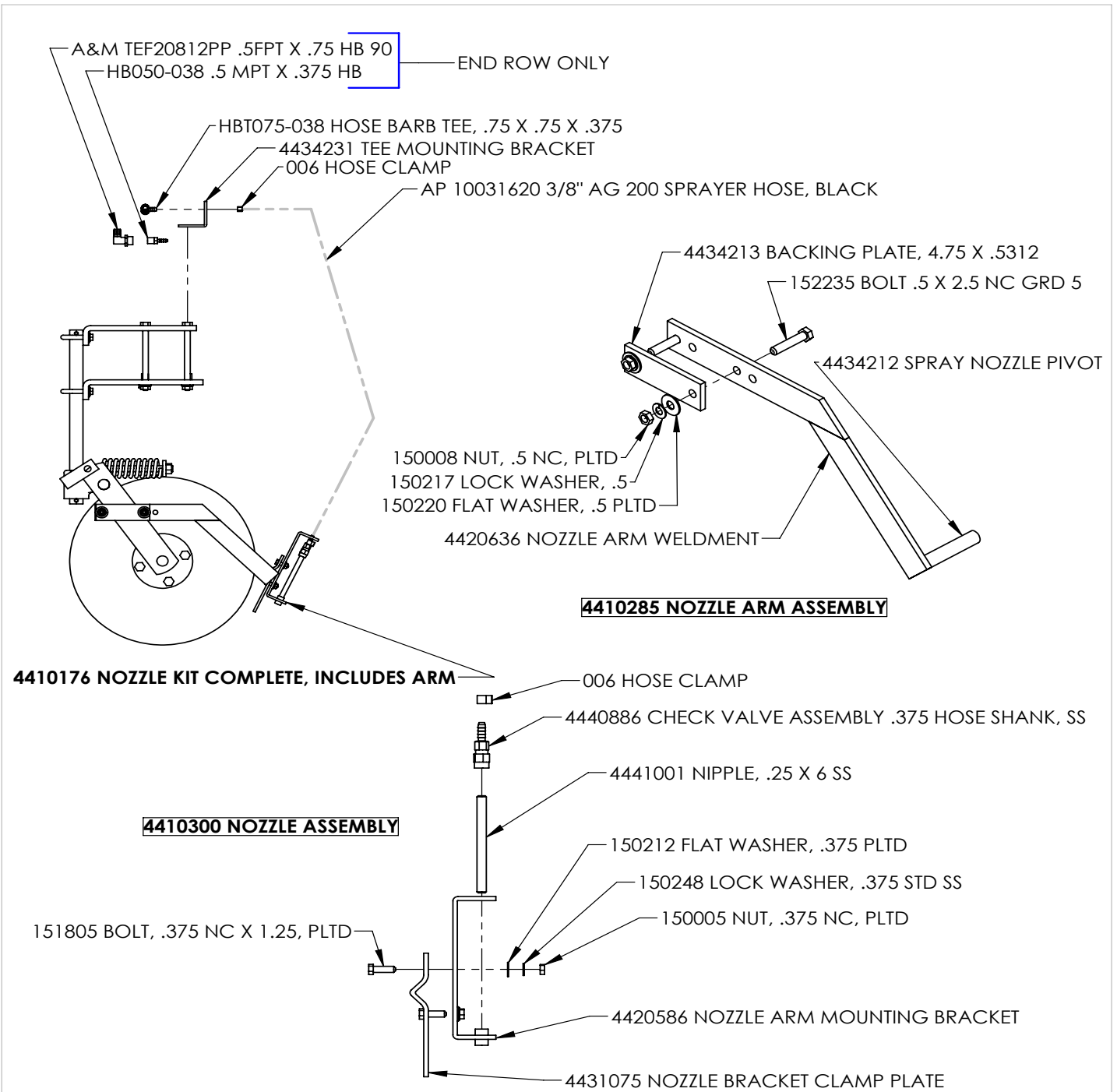


2910-130

DET	QTY	PART NO.	DESCRIPTION	DET	QTY	PART NO.	DESCRIPTION
1	1	2531-125	1/4" X 1-3/4" COTTER PIN	14	1	2550-027	CONE, LM67048
2	1	2526-561	1-17/64"ID X1-7/8"OD X14GA WASHER	15	1	2570-375	DUST CAP
3	1	2570-125	EYEBOLT	16	1	2531-102	1/8" X 1-1/4" COTTER PIN
4	1	2910-320	PIVOT	17	1	2502-410	3/4"-16 X 3" HEX BOLT GRADE 5
5	1	2910-311	SPRING	18	1	2520-508	3/4"-16 HEX NUT
6	1	2910-302	SPRING BUSHING	19	4	2520-352	1/2"-13 HEX NUT
7	1	2520-516	3/4"-10 NY-LOCK HEX NUT	20	4	2525-352	1/2" LOCKWASHER
8	1	2520-511	3/4"-16 LOCK HEX NUT	21	4	2505-337	1/2"-13 X 1 1/4" CARRIAGE BOLT GRADE 5
9	1	2565-162	DECAL-YETTER	22	1	2530-208	3/8" X 2-1/2" ROLL PIN
10	1	2910-201	PIVOT ARM	23	1	2503-379	5/8"-11 X 1" SET SCREW
11	1	2520-469	5/8"-18 SLOTTED HEX NUT	24	1	2910-301	SWIVEL COLLAR
12	1	2526-449	5/8" FLATWASHER, 1/4" THICK	25	1	2531-161	5/16" X 2-1/2" COTTER PIN
13	1	2900-102	HUB SUB-ASSEMBLY	26	1	2987-301	DUST CAP RETAINER
	1	2550-027	CONE, LM67048	27	1		COULTER BLADE-REFERENCE ONLY
	1	2550-066	TRIPLE LIP SEAL	28	1	2533-110	1/4"-28 LUBE FITTING-SELF TAP
	1	2900-105	HUB/CUP PRESSED ASSEMBLY	29	1		SHANK 1-1/2" ROUND-REFERENCE ONLY
	1	2533-110	1/4"-28 LUBE FITTING-SELF TAP				
	1	2550-029	CUP, LM67010				

05/12/2016 S431

# NOZZLE AND COULTER ASSEMBLY



DRAWN BY	RICH SMOTHERS	7/22/2014
CHECKED BY		
PRINT DATE	6/21/2016	
CONFIG.	Default	
COMMENTS:		



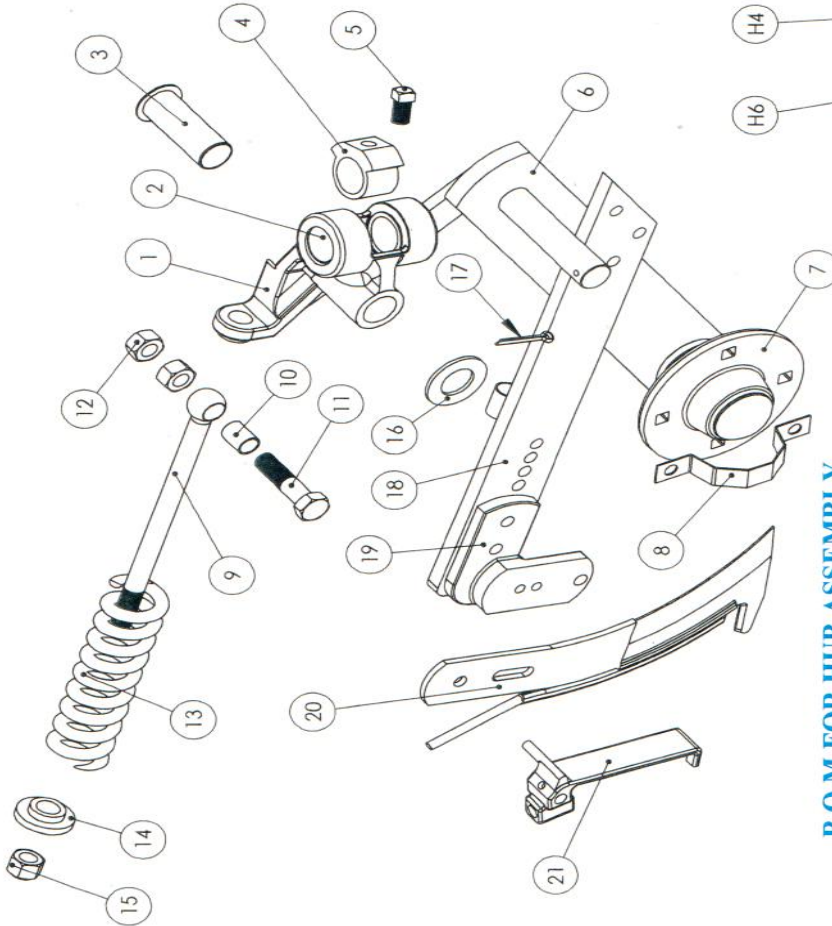
**PROPRIETARY AND CONFIDENTIAL**  
 THE INFORMATION CONTAINED IN THIS DRAWING IS THE SOLE PROPERTY OF CMC-DALTON AG. ANY REPRODUCTION IN PART OR AS A WHOLE WITHOUT THE WRITTEN PERMISSION OF CMC-DALTON AG IS PROHIBITED.

DWG: NOZZLE & COULTER ASSEMBLY		
SIZE <b>A</b>	SHEET TITLE: NOZZLE & COULTER ASSEMBLY	REV <b>A</b>
SCALE: 1:16	SHEET 1 OF 1	

# GROVE COULTER ASSEMBLY

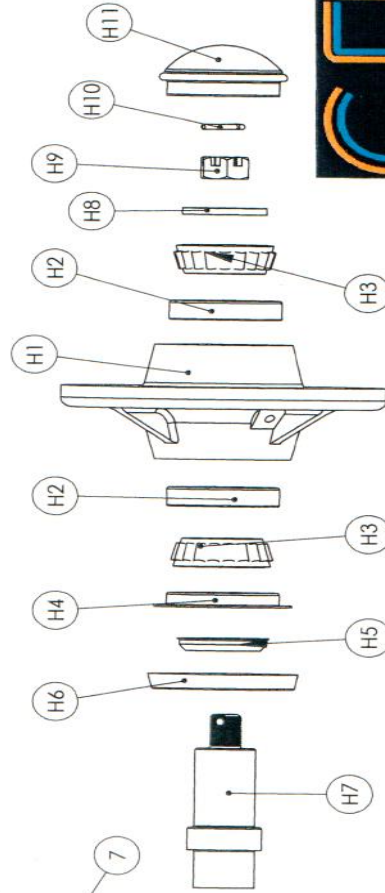
## B.O.M FOR COULTER ASSEMBLY

ITEM NO.	PART #	DESCRIPTION	QTY.
1	GC3000	Cast Coultter Knuckle	1
2	GC3005	Nylon Shaft Bushing	2
3	GC3010	Nylon Knuckle Bushing	1
4	GC3105	Lock Collar	1
5	GC4075	5/8-11x1 Sq Hd Set Pt	1
6	GC2005	Coultter Arm	1
7	GC3035	G120 Coultter Hub	1
8	GC5005	Dust Cap Keeper	1
9	GC3070	Spring Rod	1
10	GC3060	Nylon Spring Bushing	1
11	GC3055	Spring Bolt	1
12	GC3065	Spring Nut	2
13	GC3075	Spring	1
14	GC3080	Spring Alignment Casting	1
15	GC3085	Spring Lock Nut	1
16	GC3090	Washer	1
17	G905942	Cotter Pin	1
18	GC3095	Attachment Arm	1
19	GC3102	Knife Bracket	1
20	GC5010	Knife	1
21	GC3205	Injector Mount	1

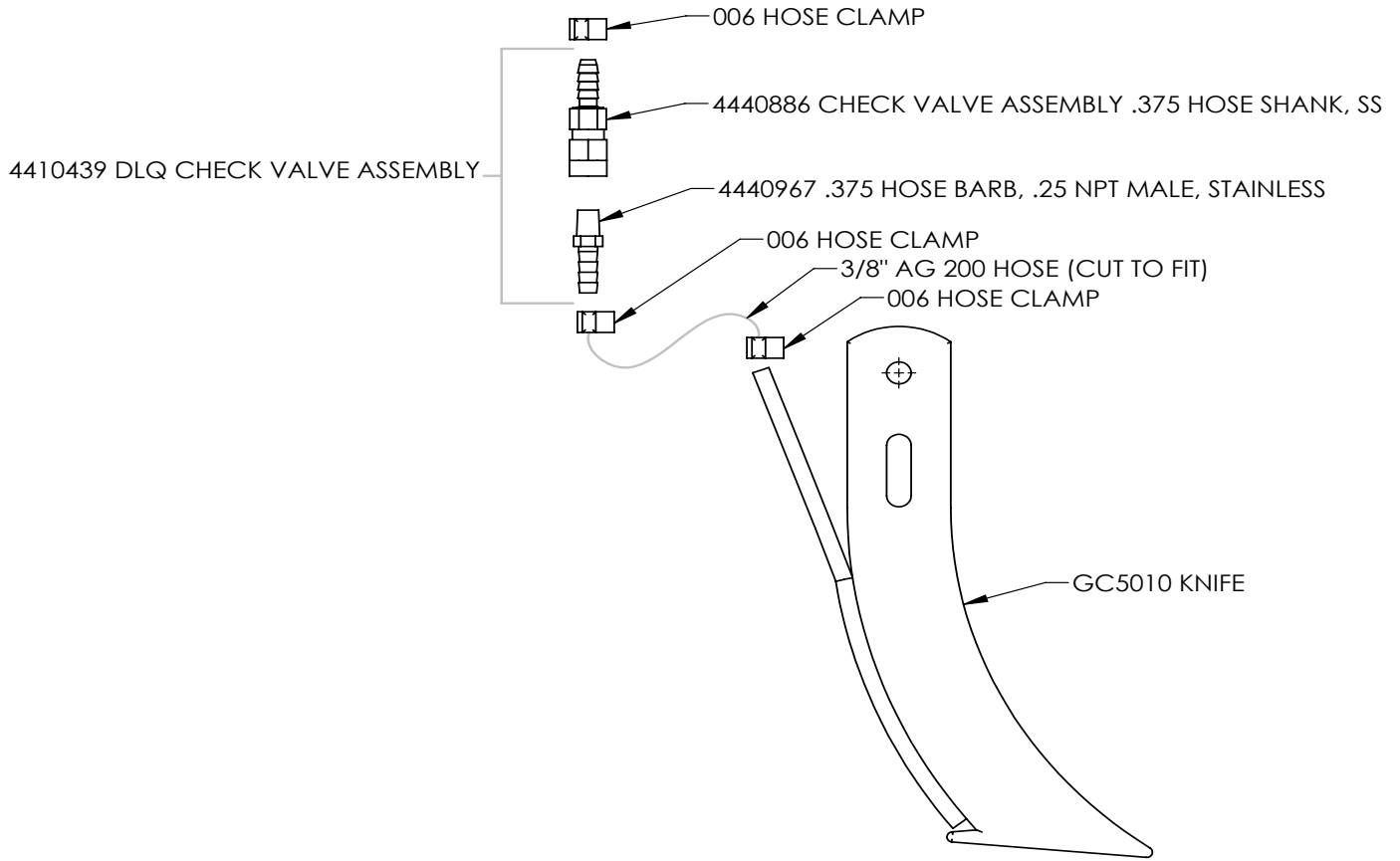


## B.O.M FOR HUB ASSEMBLY

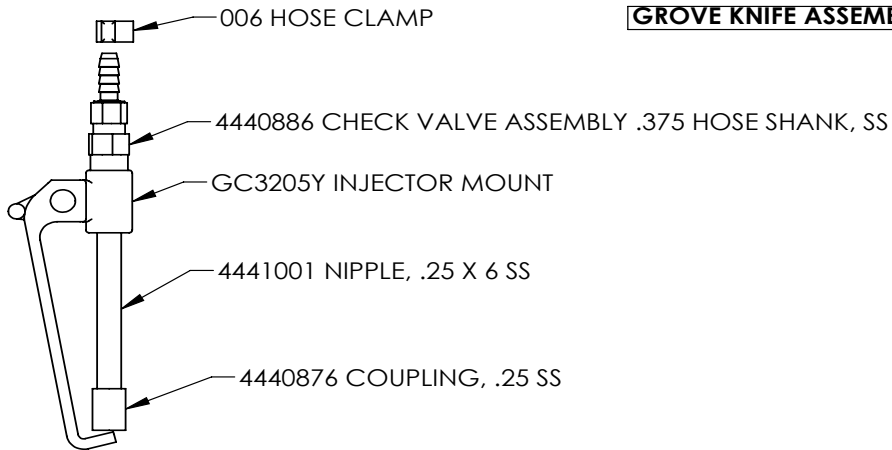
ITEM NO.	PART #	DESCRIPTION	QTY.
H1	GC3035	G120 Coultter Hub	1
H2	G910257	LM67010 Cup	2
H3	G910259	LM67048 Bearing	2
H4	GC3040	Seal Counterface	1
H5	GC3045	Coultter Seal	1
H6	GC3050	Seal Protector	1
H7	GC3020	Coultter Spindle	1
H8	G913611	Washer	1
H9	G912954	Slotted Hex Nut	1
H10	G905936	Cotter Pin	1
H11	G909970	Dust Cap	1



# GROVE KNIFE AND INJECTION



**GROVE KNIFE ASSEMBLY**



**4410438 GROVE NOZZLE ASSEMBLY**

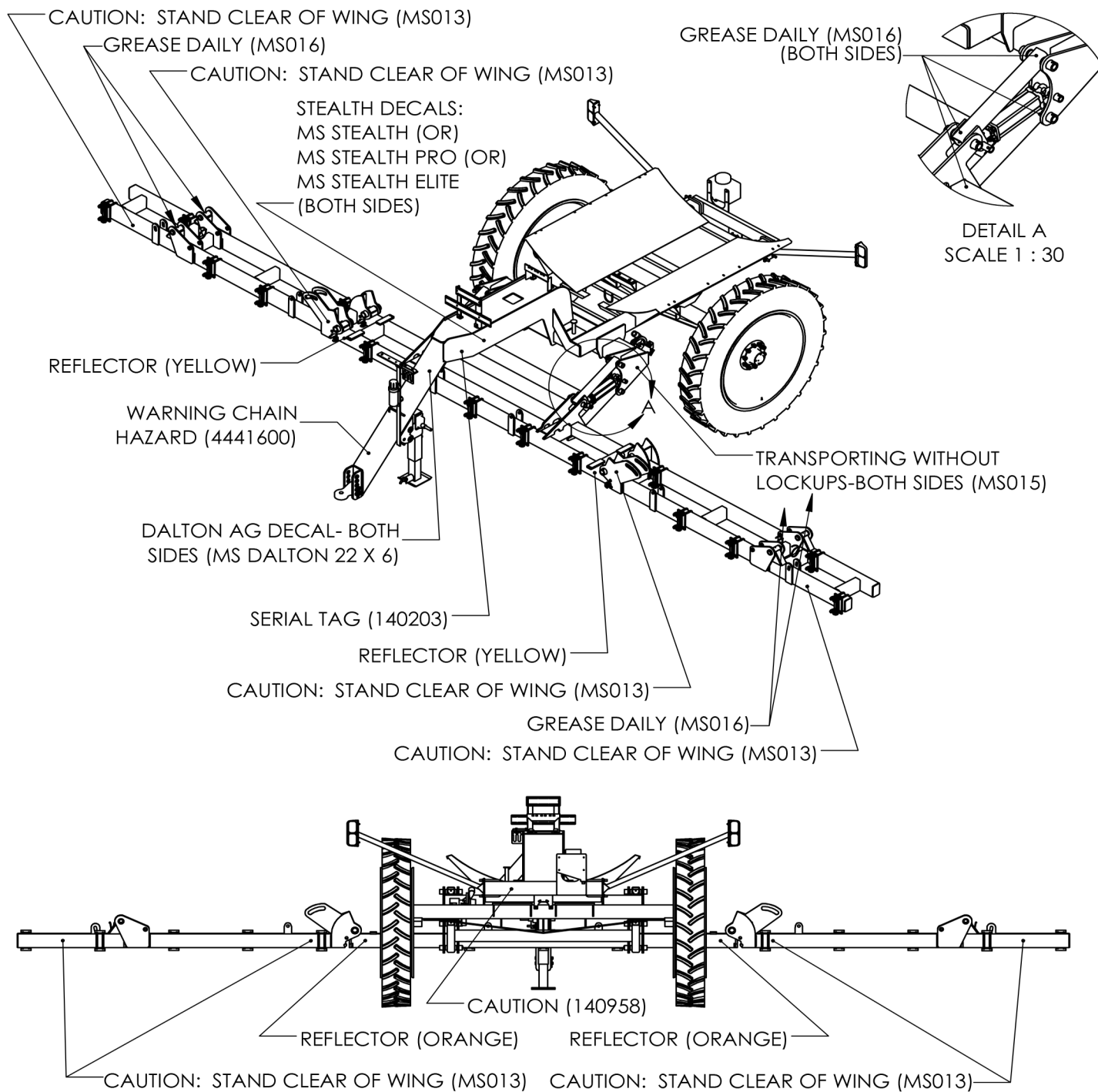
DRAWN BY	RICH SMOTHERS	6/3/2016
CHECKED BY		
PRINT DATE	8/6/2018	
CONFIG.	Default	
COMMENTS:		



DWG: GROVE KNIFE AND INJECTION		
SIZE <b>A</b>	SHEET TITLE: Sheet1	REV <b>A</b>
SCALE: 1:4	SHEET 1 OF 1	

**PROPRIETARY AND CONFIDENTIAL**  
THE INFORMATION CONTAINED IN THIS DRAWING IS THE SOLE PROPERTY OF DALTON AG. ANY REPRODUCTION IN PART OR AS A WHOLE WITHOUT THE WRITTEN PERMISSION OF DALTON AG IS PROHIBITED.

# DECAL LAYOUT



DRAWN BY	RICH SMOTHERS	9/24/2015
CHECKED BY		
PRINT DATE	5/14/2025	
CONFIG.	Default	



**PROPRIETARY AND CONFIDENTIAL**  
 THE INFORMATION CONTAINED IN THIS DRAWING IS THE SOLE PROPERTY OF DALTON AG. ANY REPRODUCTION IN PART OR AS A WHOLE WITHOUT THE WRITTEN PERMISSION OF DALTON AG IS PROHIBITED.

COMMENTS:

DWG:		DLQ - DECAL LAYOUT	
SIZE	SHEET TITLE:	Sheet1	REV
<b>A</b>			<b>A</b>
SCALE: 1:60		SHEET 1 OF 1	

## PARTS ORDERING PROCEDURE

Your Dalton Ag dealer is interested in your new fertilizer application equipment and has the desire to help you get the most value from it. Through the help of this manual, you will find you can do some of the regular maintenance yourself. For parts and service, contact the Dalton Ag Dealership from which you purchased your fertilizer application equipment or your local Dalton Ag dealer.

When replacement parts are required, consult the applicable illustration and parts list to obtain the correct part name and number. When requesting a replacement part, always include the following information:

1. Complete Part Number
2. Description
3. Quantity Required
4. Machine and Model Number
5. Machine Serial Number - located on the topside of the frame near hitch
6. Provide complete name and address for where and how parts are to be shipped.

NOTE: Right and left hand parts and sides of the units are determined by standing at the rear and facing in the direction of forward travel.

**EQUIPMENT MODEL:** \_\_\_\_\_

**EQUIPMENT SERIAL NO.:** \_\_\_\_\_

**DATE OF PURCHASE:** \_\_\_\_\_

**NAME OF DEALER:** \_\_\_\_\_

**DEALER'S PHONE NUMBER:** \_\_\_\_\_

# Thank you for your business!

# NOTES

---



[www.daltonag.com](http://www.daltonag.com)

602 E. VAN BUREN | LENOX, IOWA 50851 | 800-342-7498